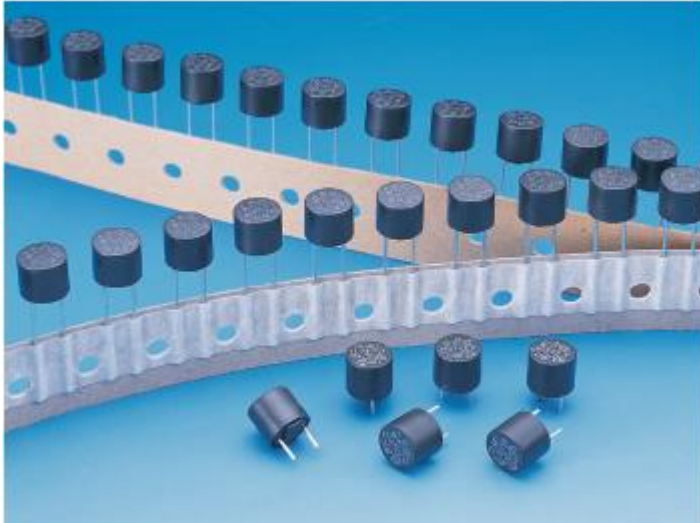


## Datasheet

### 3.15A Radial Non-Resettable Wire Ended Fuse, 250V

RS Stock number [767-5153](#)



#### Specifications:

##### Operating Temperature

-55°C to +125°C

##### Vibration

MIL-STD-202G, Method 201(10-55 Hz x 3axis/no load)

##### Salt Spray

MIL-STD-202G, Method 101, Test Condition B (48Hrs)

##### Insulation Resistance

MIL-STD-202G, Method 302, Test Condition A  
(After Opening) 10,000 ohms minimum

##### Resistance to Solder Heat

MIL-STD-202G, Method 210, Test Condition B  
(10sec, at 260°C)

##### Thermal Shock:

MIL-STD-202G, Method 107, Test Condition B  
(-65°C to +125°C)

##### Material

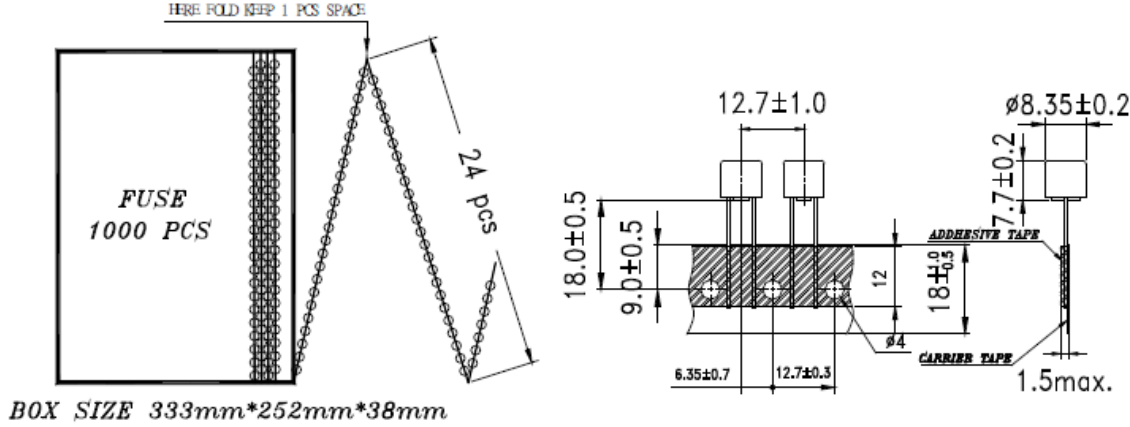
Base and Cap: Black thermoplastic, UL 94-V0

Round Pins: Copper, Tin-plated

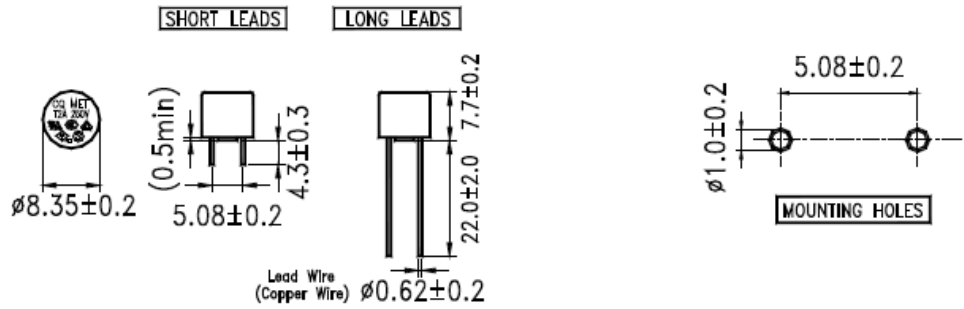
Encapsulated, Epoxy-Coated Body; Solder Coated  
Copper Wire Leads.

Lead Wire: Diameter 0.64mm

**Drawing (mm):**



BOX SIZE 333mm\*252mm\*38mm



**Electrical Characteristic:**

Rated Current	1.5In		2.75In		4 In		10 In	
	MIN	MAX	MIN	MAX	MIN	MAX	MIN	MAX
40mA~5A	60 min	2 min	400 ms	10 sec	150 ms	3 sec	20 ms	150 ms
6.3 A~10A	60 min	2 min	400 ms	10 sec	150 ms	3 sec	15 ms	150 ms