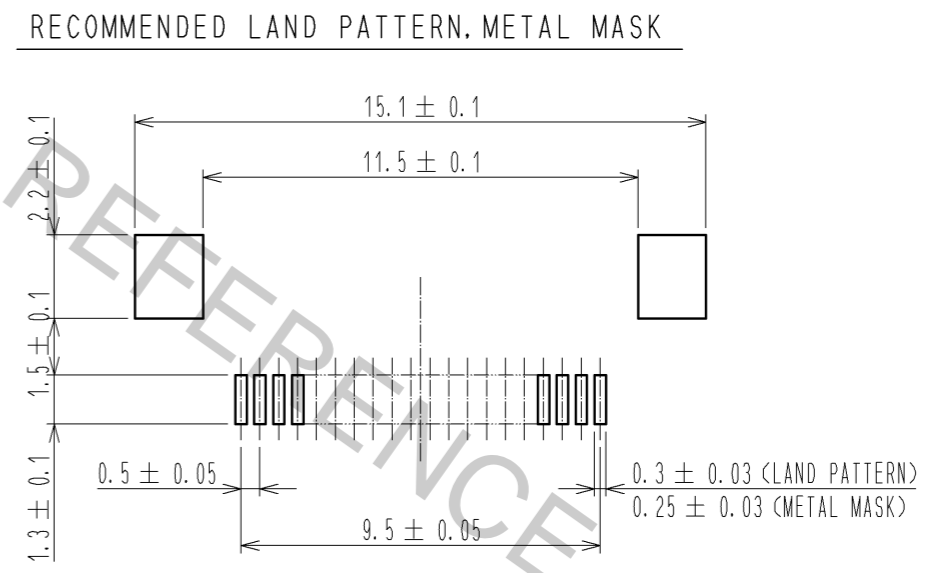
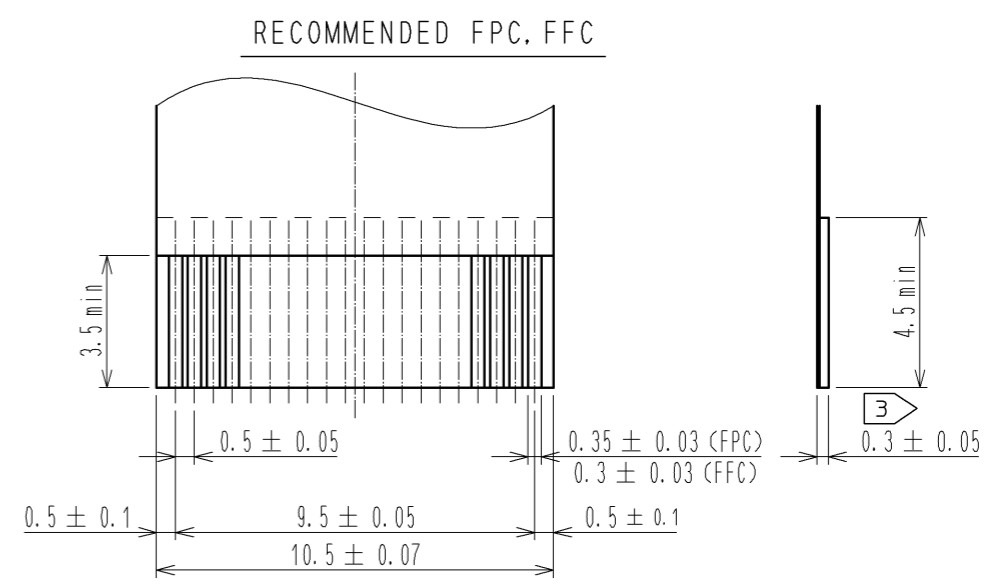
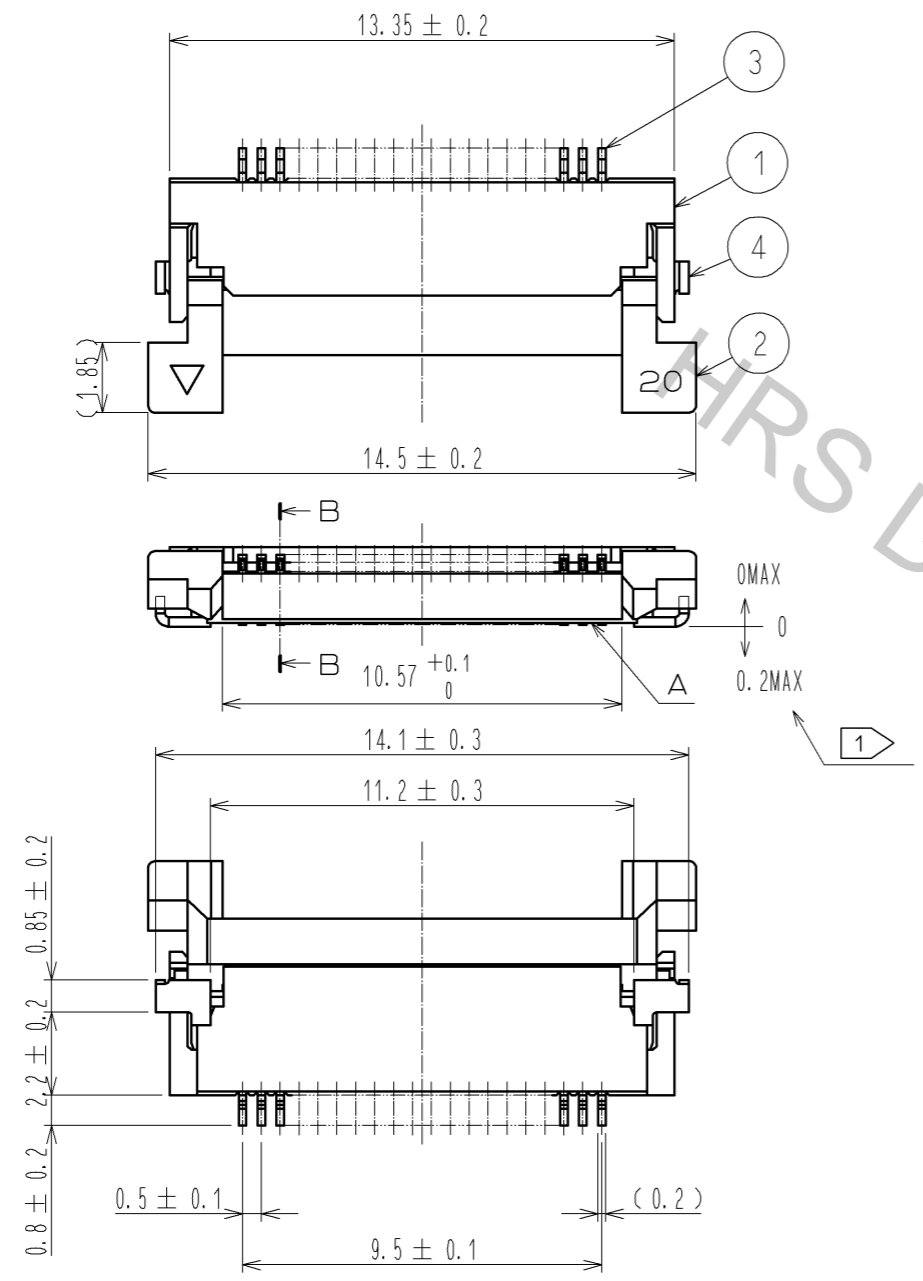


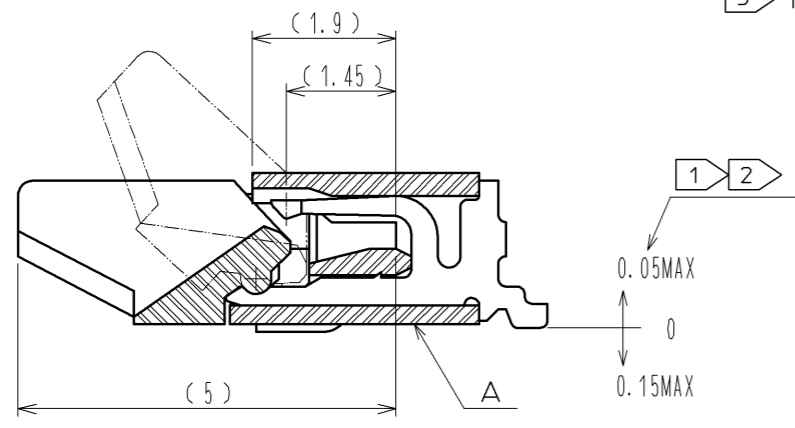
Nov.1.2016 Copyright 2016 HIROSE ELECTRIC CO., LTD. All Rights Reserved.



B-B (10 : 1)

NOTE ① REFERENCE IS A.
 ② LEAD CO-PLANARITY SHALL BE 0.1 MAX.
 ③ THICKNESS OF SUPPORTING TAPE SHALL BE 0.188(7.5mil) MIN.

RECOMMENDED METAL MASK THICKNESS t=0.15

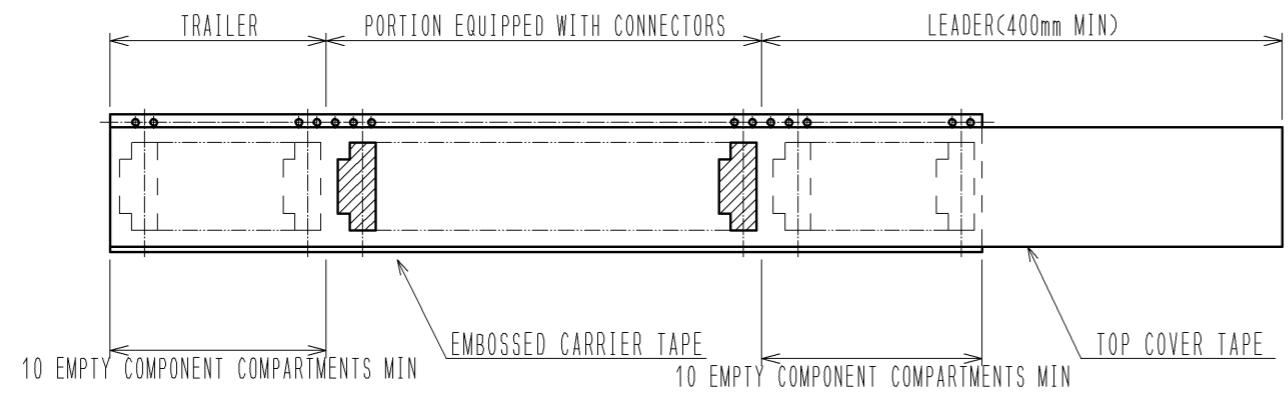
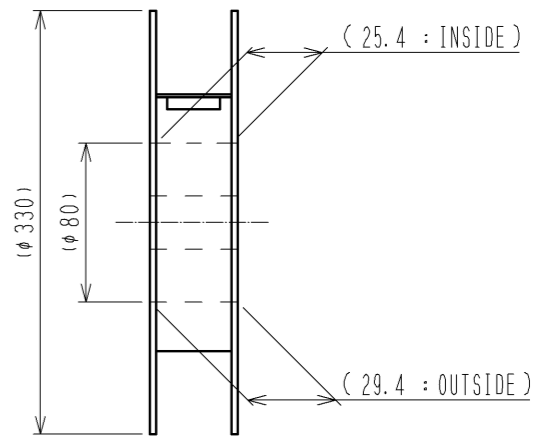
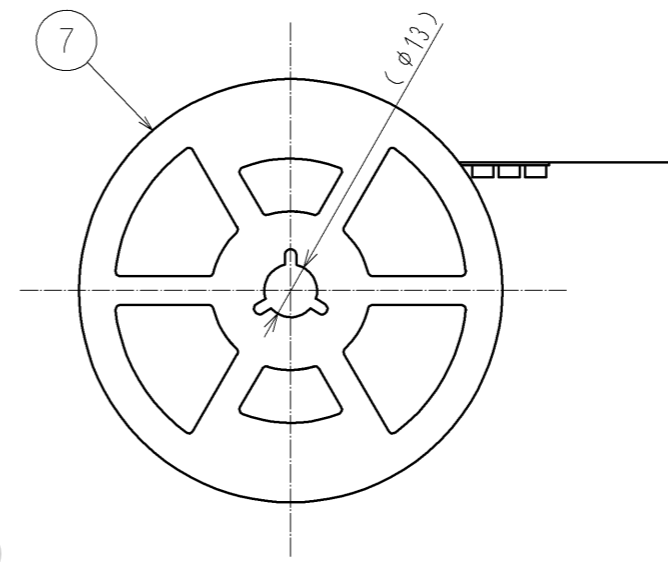
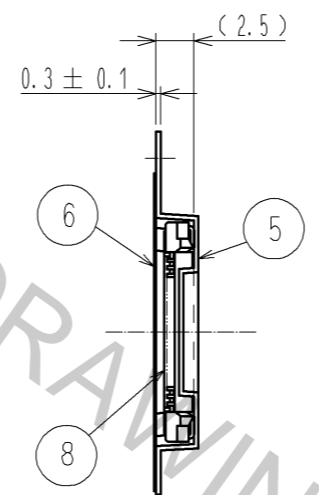
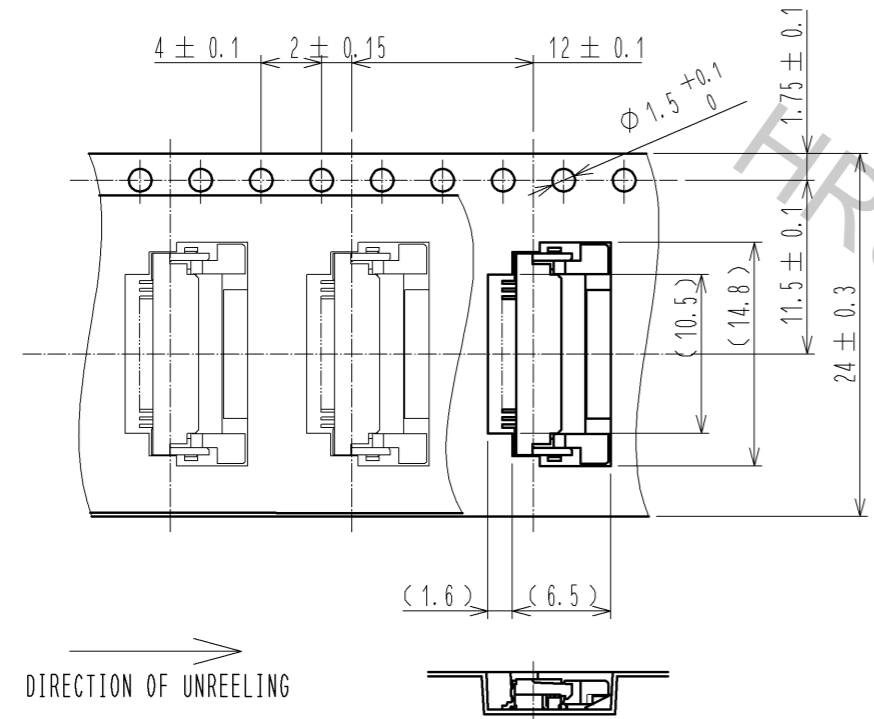


4	BRASS	TIN PLATING 1μMIN OVER NICKEL 1μMIN.	8	(CONNECTOR)	
3	PHOSPHOR BRONZE	GOLD PLATING 0.05μMIN OVER NICKEL 1μMIN.	7	POLYSTYRENE	
2	PPS	(DEEP BROWN) UL94V-0	6	POLYESTER	
1	POLYAMIDE	(BEIGE) UL94V-0	5	POLYSTYRENE	
NO.	MATERIAL	FINISH . REMARKS	NO.	MATERIAL	FINISH . REMARKS
UNITS	mm	SCALE	5 : 1	COUNT	1
DESCRIPTION OF REVISIONS			DESIGNED	CHECKED	DATE
DIS-F-002766			MK. YASUMI	HS. SAKAMOTO	09.11.17
APPROVED : RI. TAKAYASU 06.02.14			DRAWING NO. EDC3-150554-02		
CHECKED : TN. KUWATA 06.02.13			PART NO. FH12A-20S-0.5SH(55)		
DESIGNED : HS. SAKAMOTO 06.02.13			CODE NO. CL586-0554-0-55		
DRAWN : MK. YASUMI 06.02.13					

Nov.1.2016 Copyright 2016 HIROSE ELECTRIC CO., LTD. All Rights Reserved.

EMBOSSED CARRIER TAPE DIMENSION(2:1)

REEL DIMENSION(FREE)



NOTE 4 THE DIMENSIONS IN PARENTHESES ARE FOR REFERENCE.
5 1 REEL:2000 CONNECTORS.

<DRAWING FOR PACKING>

HRS	DRAWING NO.	EDC3-150554-02
	PART NO.	FH12A-20S-0.5SH(55)
	CODE NO.	CL586-0554-0-55
		$\frac{2}{2}$