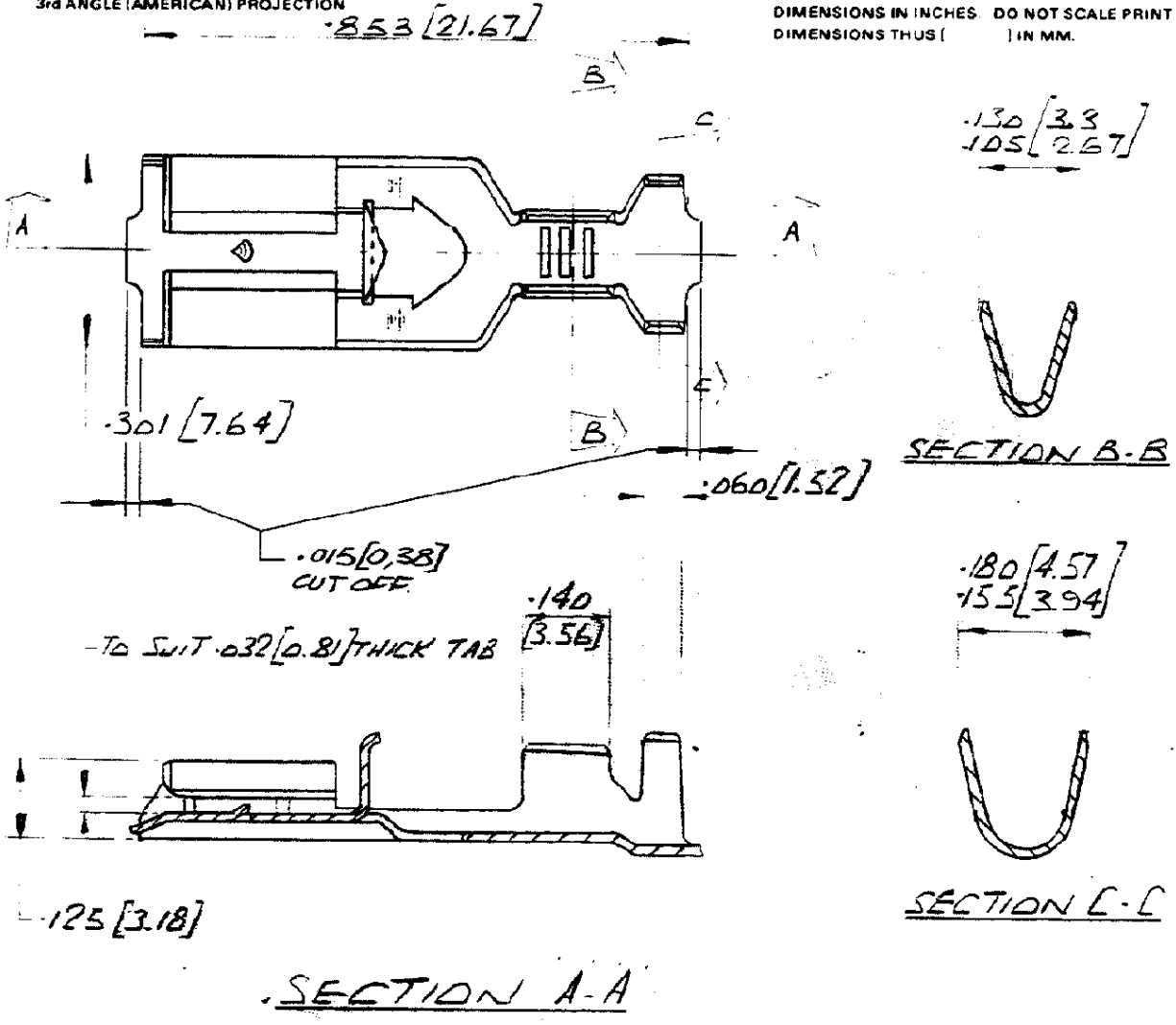


NUMBER  
C-341412

3rd ANGLE (AMERICAN) PROJECTION

DIMENSIONS IN INCHES. DO NOT SCALE PRINT  
DIMENSIONS THUS ( ) IN MM.



C-341412-5	NICKEL SILVER	NONE
C-341412-4	PHOSPHOR BRONZE	PRE-TIN
C-341412-3	PHOSPHOR BRONZE	NONE
C-341412-2	BRASS	PRE-TIN
C-341412-1	BRASS	NONE
PART NO.	MATERIAL	FINISH

				© AMP of GREAT BRITAIN LTD 1978		CUSTOMER COPY REFERENCE ONLY	
				MATERIAL AND FINISH SEE TABLE		AMP of Great Britain Ltd.	
				WIRE RANGE - INSULATION 0.5mm <sup>2</sup> - 1.5mm <sup>2</sup> - 2.1mm <sup>2</sup> - 2.9mm <sup>2</sup>		TERMINAL HOUSE STANMORE, MIDD.	
				TOLERANCE EXCEPT AS NOTED .015 [0.38] - 1.0		CLASS	
				SCALE 4:1		TYPE	
				NAME POSITIVE LOCK RECEPTACLE MK II (270)		LOC NO E A C-341412	
				DR U.P. STOCKWELL CHK 1		DE [Signature] APP [Signature]	
				ISS REVISION RECORD 3/5/78		DATE 4-13	
				DR J.P. STOCKWELL CHK 1		APP [Signature]	

PRINT/DIST.