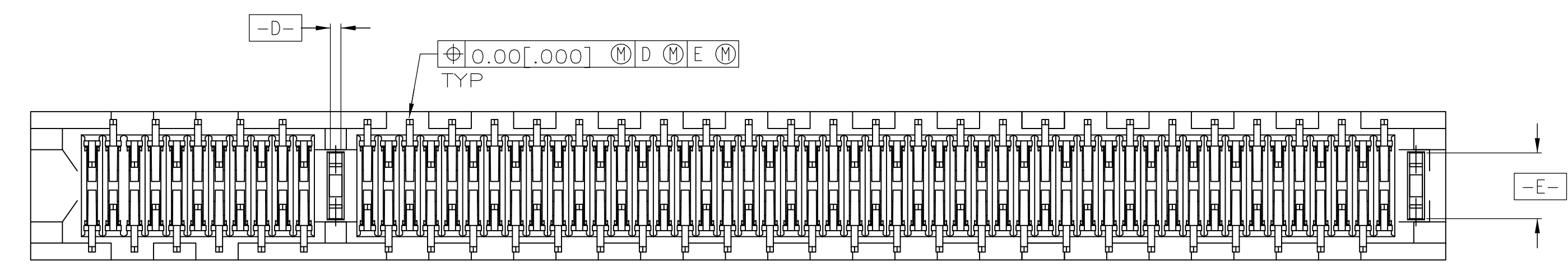
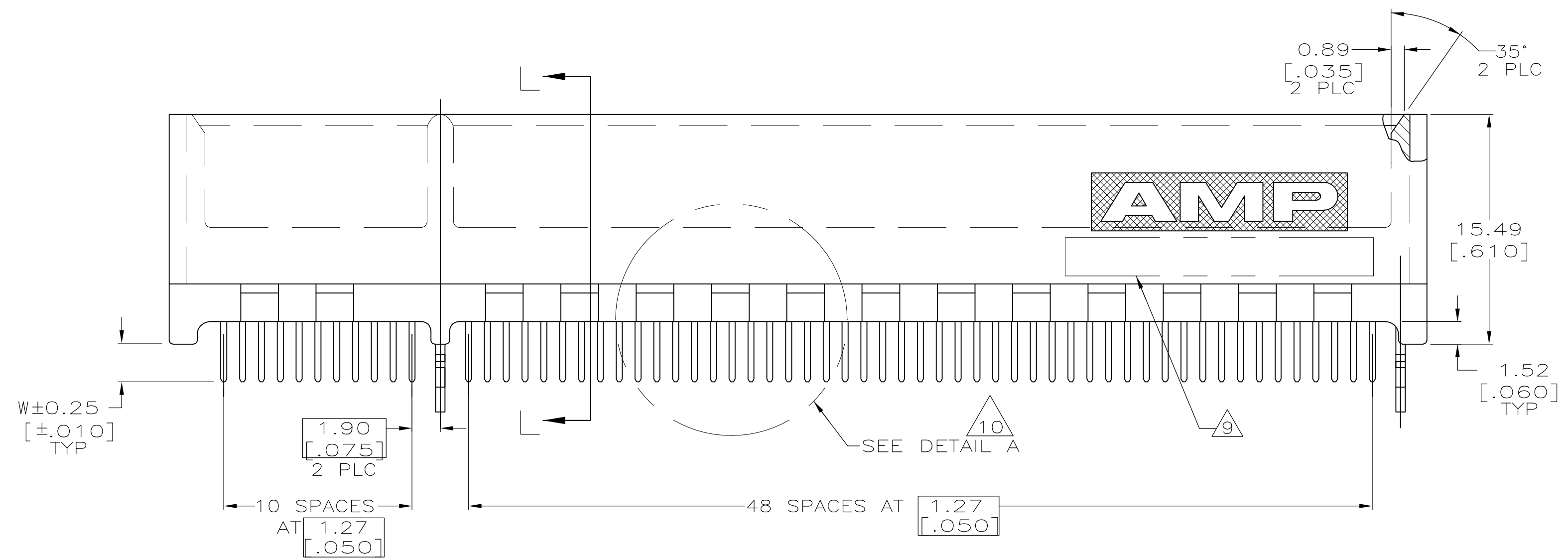
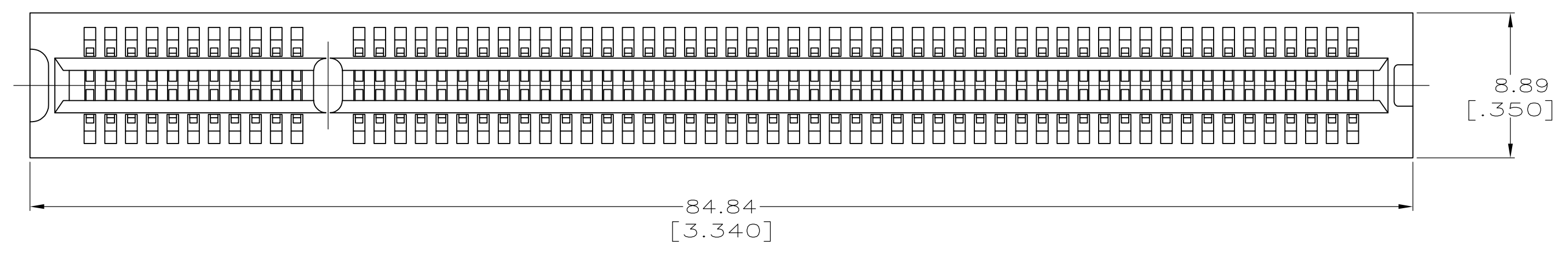
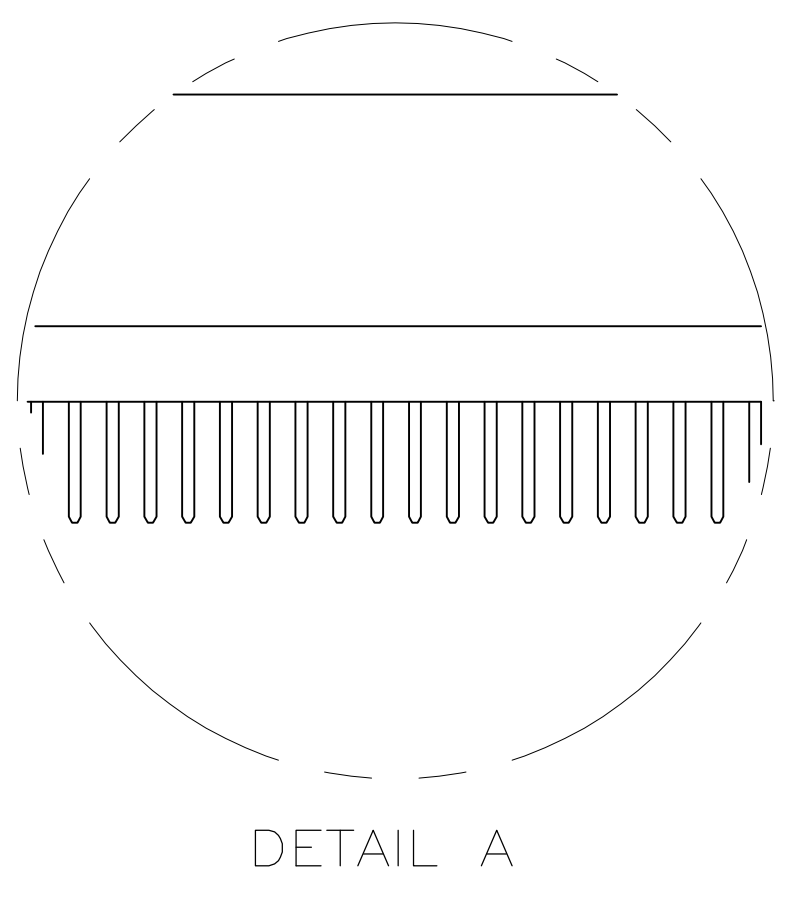


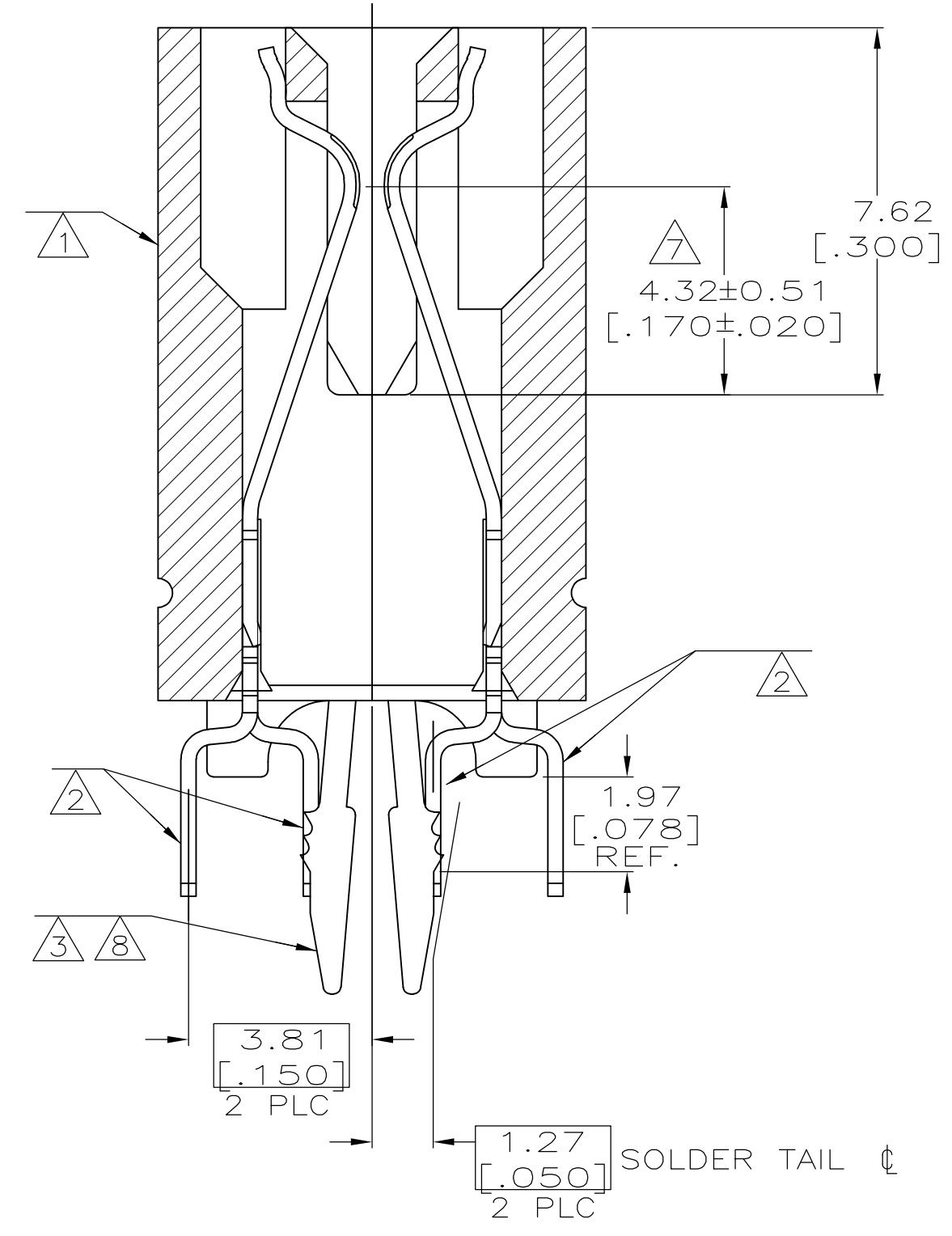
LOC		DIST		REVISIONS			
P	LTR	DESCRIPTION	DATE	DWN	APVD		
H		ECO-06-010778	12AUG06	LAM	AWF		
H1		REVISED PER ECO-09-021826	11SEP09	KK	AEG		



SEE SHEET 2 FOR HOLE PATTERN



- ① HOUSING: HIGH TEMPERATURE THERMOPLASTIC. COLOR - NATURAL
- ② CONTACT: PHOSPHOR BRONZE.
- ③ METAL HOLD DOWN: BRASS
- ④ CONTACT FINISH: .001269[.000050] MIN NICKEL ALL OVER. GOLD FLASH OVER NICKEL IN CONTACT AREA. .002537[.000100] MIN TIN-LEAD OVER NICKEL ON SOLDER TAILS.
- ⑤ CONTACT FINISH: .001269[.000050] MIN NICKEL ALL OVER. .000375[.000015] GOLD OVER NICKEL IN CONTACT AREA. .002537[.000100] MIN TIN-LEAD OVER NICKEL ON SOLDER TAILS.
- ⑥ CONTACT FINISH: .001269[.000050] MIN NICKEL ALL OVER. .000757[.000030] GOLD OVER NICKEL IN CONTACT AREA. .002537[.000100] MIN TIN-LEAD OVER NICKEL ON SOLDER TAILS.
- ⑦ DISTANCE FROM CONTACT POINT TO BOTTOM OF CARD SLOT.
- ⑧ METAL HOLD DOWN FINISH: .001269[.000050] MIN NICKEL ALL OVER. .003809[.000150] MIN TIN-LEAD ALL OVER.
- ⑨ AMP PART NUMBER, DATE CODE AND CSA LOGO MARKED IN APPROXIMATE LOCATION SHOWN.
- ⑩ CORED OR SOLID SIDE WALLS ARE AT DISCRETION OF AMP INCORPORATED.
- ⑪ OBSOLETE PARTS: OBSOLETE CIS STREAMLINING PER D.RENAUD/D.SINISI

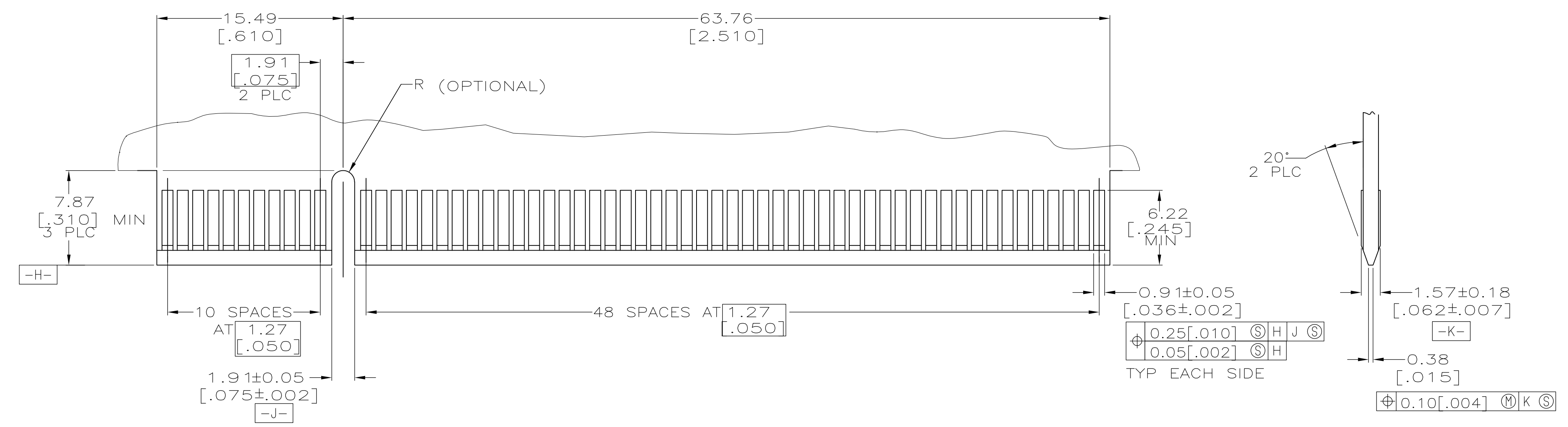


SECTION L-L
SCALE 8:1

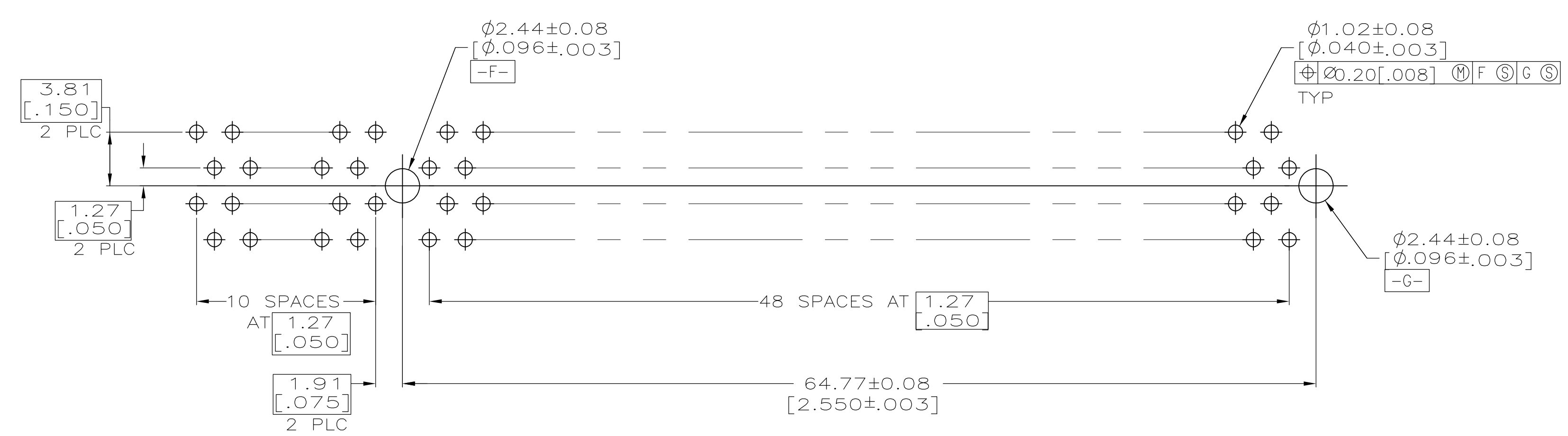
OBSOLETE	4.70 [.185]	①	1-145167-3
	3.56 [.140]	①	1-145167-2
SUPERSEDED BY 5145167-8	3.18 [.125]	①	-145167-8
	2.54 [.100]	①	145167-4
OBSOLETE	2.54 [.100]	①	145167-3
① OBSOLETE	2.54 [.100]	①	145167-2
	2.54 [.100]	①	145167-1
	W	FINISH	PART NUMBER

THIS DRAWING IS A CONTROLLED DOCUMENT.

DIMENSIONS:	TOLERANCES UNLESS OTHERWISE SPECIFIED:	DIN	R BROWN	6/9/95		Tyco Electronics Corporation Harrisburg, Pa 17105-3608
mm	0 PLC ± - 1 PLC ± - 2 PLC ± 0.25 [.01] 3 PLC ± 0.127 [.005] 4 PLC ± - ANGLES ± ±	CHK	M BOWERS	6/9/95		NAME
		APVD	-	-	PRODUCT SPEC	108-14034
					APPLICATION SPEC	114-26012
MATERIAL	FINISH	WEIGHT	-	A1	SIZE	100779
①②③	④⑤⑥	CUSTOMER DRAWING	SCALE	4:1	SHEET	1 OF 2
					REV	H1



RECOMMENDED MATING BOARD EDGE CONFIGURATION



RECOMMENDED CONNECTOR MOUNTING HOLE PATTERN
(CONNECTOR SIDE SHOWN)

THIS DRAWING IS A CONTROLLED DOCUMENT.		DIN R BROWN 6/9/95		Tyco Electronics Corporation Harrisburg, Pa 17105-3608
DIMENSIONS: mm		CHK M BOWERS 6/9/95		NAME
TOLERANCES UNLESS OTHERWISE SPECIFIED:		APVD	PRODUCT SPEC	RESTRICTED TO
0 PLC ± -			108-14034	
1 PLC ± -			APPLICATION SPEC	
2 PLC ± 0.25 [.01]			114-26012	
3 PLC ± 0.127 [.005]			SIZE	SCALE 4:1
4 PLC ± -			100779	SHEET 2 OF 2
ANGLES ± -			DRAWING NO	REV H1
MATERIAL SEE SHEET 1	FINISH SEE SHEET 1	WEIGHT	145167	
		CUSTOMER DRAWING		