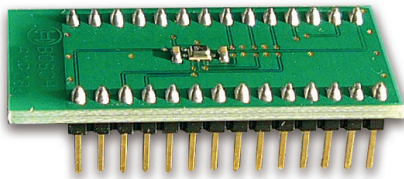


BMP280 Shuttle Board

Bosch Sensortec



BOSCH
Invented for life

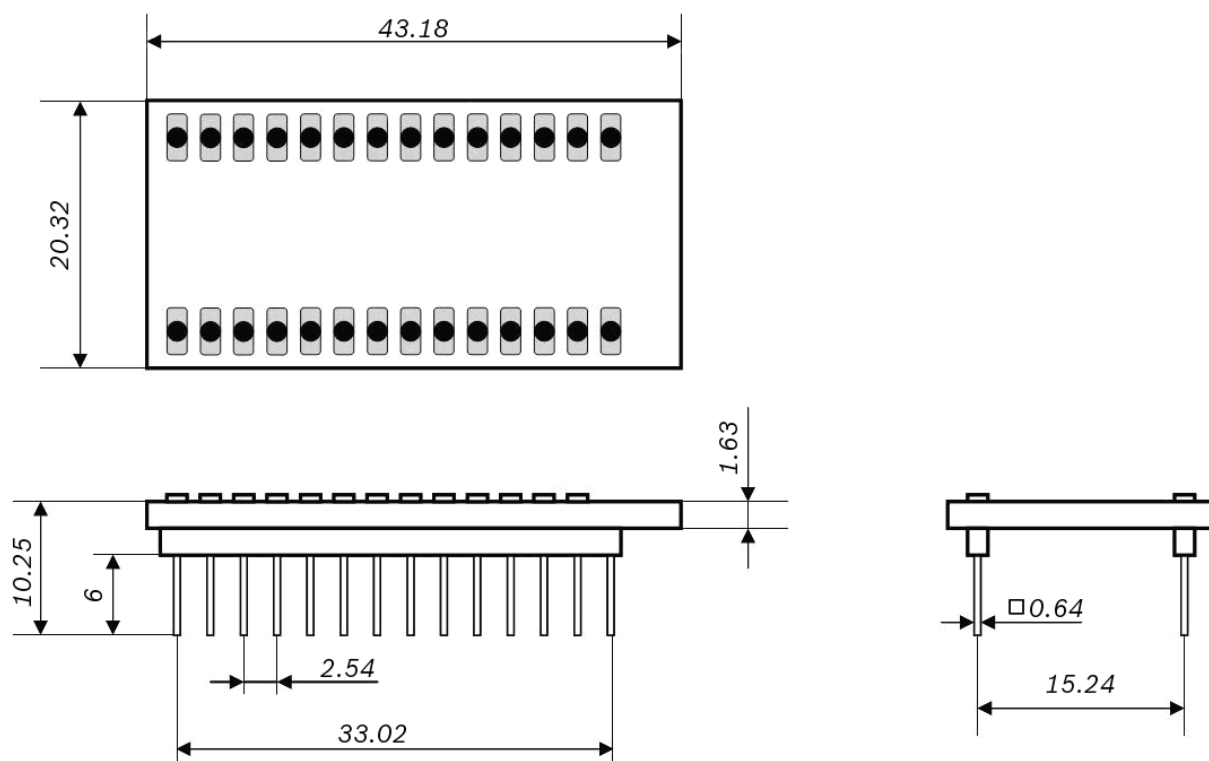


Description

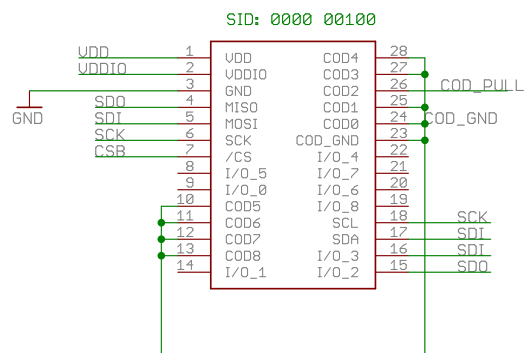
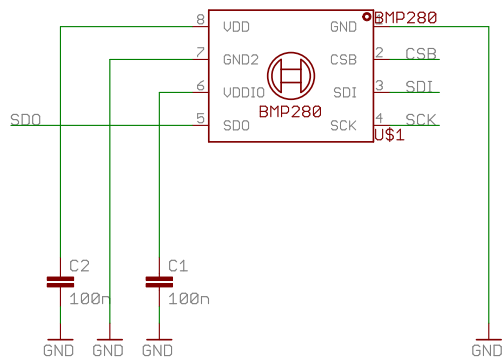
The Bosch Sensortec BMP280 shuttle-board is a PCB with a BMP280 acceleration sensor mounted on it. It allows easy access to the sensors pins via a simple socket. As all Bosch Sensortec sensor shuttle boards have identical footprint, they can be plugged into Bosch Sensortec's advanced development tools (e.g. the Development Board). Of course, the BMP280 shuttle board can also be used for customer's own implementations.

Note: Product photo may differ from real product's appearance

Shuttle board outline dimensions (all dimensions in mm)



Shuttle board outline dimensions (all dimensions in mm)



Deliverables

- ▶ BMP280 shuttle board

**Headquarters
Bosch Sensortec GmbH**

Gerhard-Kindler-Strasse 8
72770 Reutlingen · Germany
Telephone +49 7121 3535 900
Fax +49 7121 3535 909
contact@bosch-sensortec.com
www.bosch-sensortec.com