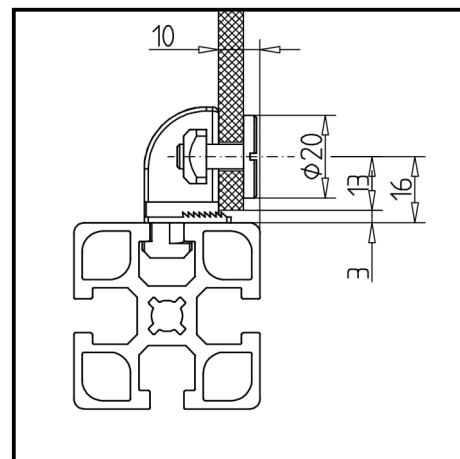
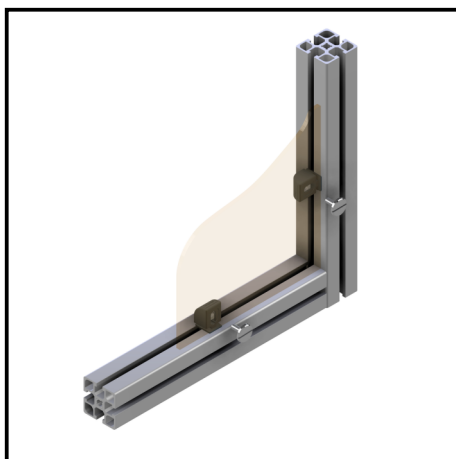
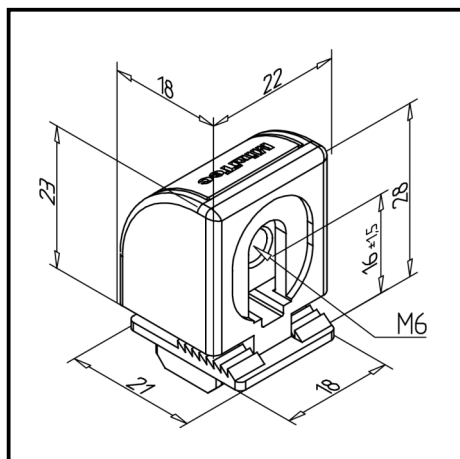


SCREW BLOCK 45

Article Nr. 22.1260/0

See the product on the website →

Download CAD Files →



TECHN. DATA / ITEMS SUPPLIED

- ABS, Injection Mould, grey
- Nut M6, steel, zinc-plated
- Also available with thread dimensions M4/M5
- Weight = 0.011 kg/piece

APPLICATIONS

- Suitable for profile series 45
- Retrofitting surface elements 2 mm to 6 mm thickness
- Circulating air gap 7 mm

ASSEMBLY

- Insert socket into profile groove
- Insert bored surface elements
- Screw down the surface elements
- Recommended flat head screw M6x12 **part no. 21.2074/0** up to 3 mm disc thickness or M6x16 **part no. 21.1246/0** for greater strengths