

STRAIN RELIEF W/SCREW RET KIT ✓ ACTIVE

AMPLIMITE | AMPLIMITE Kit

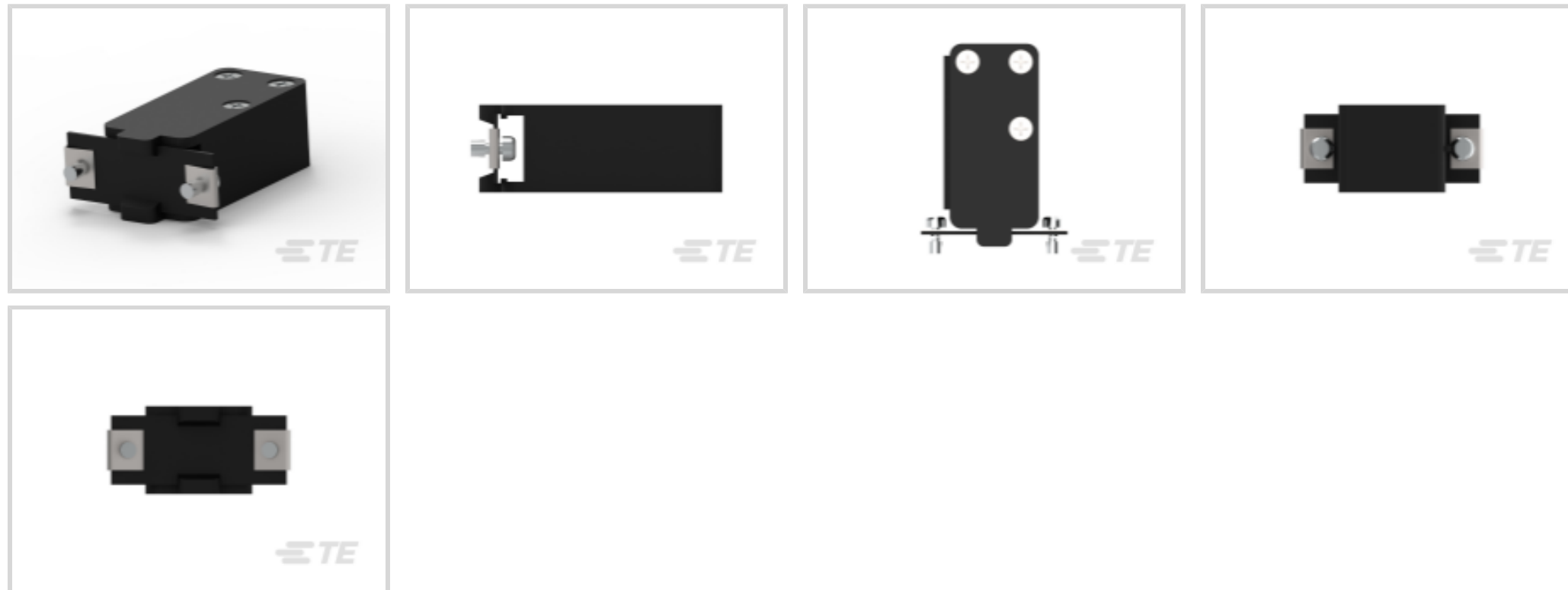
TE Part # 5207908-1

TE Internal #: 5207908-1

[View on TE.com >](#)



Connectors > D-Shaped Connectors > D-Sub Accessories > D-Sub Backshells & Clamps



Accessory Type: **Backshell/Cable Clamp**

Cable Clamp Type: **Box and Lid**

Shell Size: **1**

Shielded: **No**

Cable Insulation Diameter: **4.06 mm [.16 in]**

Features

Product Type Features

| | |
|----------------|-----------------------|
| Grommets | Without |
| Product Type | Accessory |
| Accessory Type | Backshell/Cable Clamp |
| Shell Size | 1 |
| Shielded | No |

Body Features

| | |
|-------------------------|-----------------|
| Shield Plating Material | None |
| Cable Clamp Material | Polypropylene |
| Retainer Clip Material | Stainless Steel |
| Color | Black |
| Cable Clamp Type | Box and Lid |
| Cable Exit Angle | 90, 180 |

Mechanical Attachment

| | |
|--------------------------|-------|
| Screw & Hole Thread Size | 14702 |
|--------------------------|-------|

Dimensions



| | |
|---------------------------|-----------------|
| Cable Insulation Diameter | 4.06 mm[.16 in] |
|---------------------------|-----------------|

Packaging Features

| | |
|--------------------|----------------|
| Packaging Quantity | 1 |
| Packaging Method | Individual Kit |

Other

| | |
|---------|--|
| Comment | All parts are packaged unassembled., Each kit is comprised of a cable clamp and male screw retainer hardware (2 each). |
|---------|--|

Product Compliance

[For compliance documentation, visit the product page on TE.com>](#)

| | |
|---|--|
| EU RoHS Directive 2011/65/EU | Compliant |
| EU ELV Directive 2000/53/EC | Compliant |
| China RoHS 2 Directive MIIT Order No 32, 2016 | No Restricted Materials Above Threshold |
| EU REACH Regulation (EC) No. 1907/2006 | Current ECHA Candidate List: JAN 2019 (197) Candidate List Declared Against: JAN 2019 (197) |
| Halogen Content | Not Low Halogen - contains Br or Cl > 900 ppm. |
| Solder Process Capability | Not applicable for solder process capability |

Product Compliance Disclaimer

This information is provided based on reasonable inquiry of our suppliers and represents our current actual knowledge based on the information they provided. This information is subject to change. The part numbers that TE has identified as EU RoHS compliant have a maximum concentration of 0.1% by weight in homogenous materials for lead, hexavalent chromium, mercury, PBB, PBDE, DBP, BBP, DEHP, DIBP, and 0.01% for cadmium, or qualify for an exemption to these limits as defined in the Annexes of Directive 2011/65/EU (RoHS2). Finished electrical and electronic equipment products will be CE marked as required by Directive 2011/65/EU. Components may not be CE marked. Additionally, the part numbers that TE has identified as EU ELV compliant have a maximum concentration of 0.1% by weight in homogenous materials for lead, hexavalent chromium, and mercury, and 0.01% for cadmium, or qualify for an exemption to these limits as defined in the Annexes of Directive 2000/53/EC (ELV). Regarding the REACH Regulations, TE's information on SVHC in articles for this part number is still based on the European Chemical Agency (ECHA) 'Guidance on requirements for substances in articles' (Version: 2, April 2011), applying the 0.1% weight on weight concentration threshold at the finished product level. TE is aware of the European Court of Justice ruling of September 10th, 2015 also known as O5A (Once An Article Always An Article) stating that, in case of 'complex object', the threshold for a SVHC must be applied to both the product as a whole and simultaneously to each of the articles forming part of its composition. TE has evaluated this ruling based on the new ECHA "Guidance on requirements for substances in articles" (June 2017, version 4.0) and will be updating its statements accordingly.

Also in the Series | [AMPLIMITE Kit](#)

STRAIN RELIEF W/SCREW RET KIT

TE Part # 5207908-1
TE Internal #: 5207908-1



D-Sub Backshells & Clamps
(140)



D-Sub Contact Accessories
(1)



D-Sub Covers(3)



D-Sub Locking & Mounting
(122)

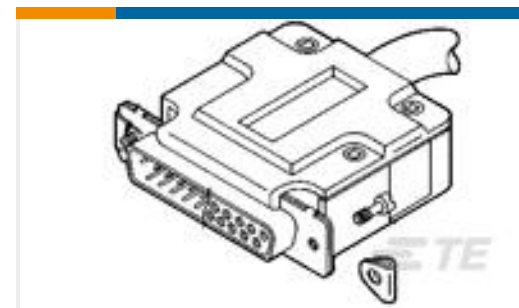
Customers Also Bought



TE Part #205210-8
PLUG ASSY SIZE 4



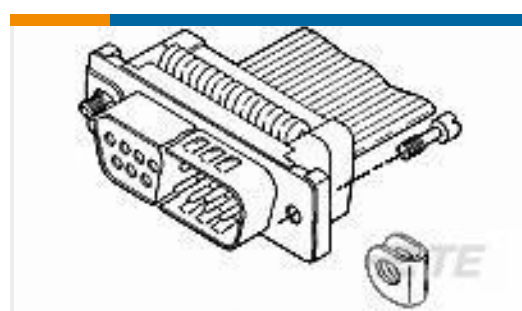
TE Part #205205-7
CRIMP SNAP RCPT ASSY,
SIZE 2



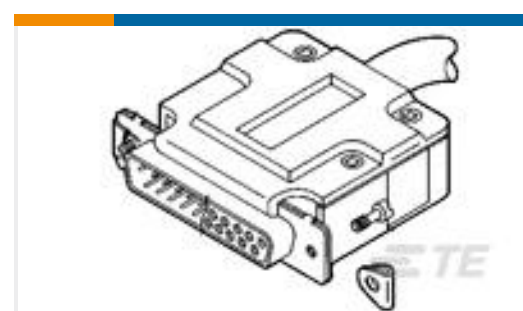
TE Part #1-5207908-0
KIT S/R SCREW RET 90
/180 DEG



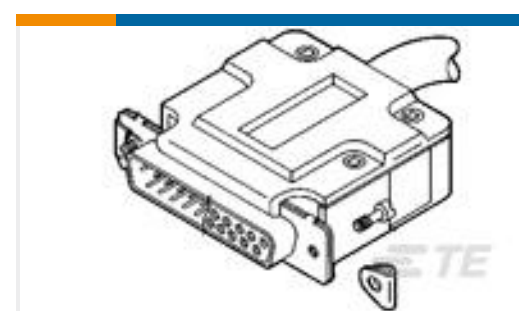
TE Part #205204-8
HDP-20,PLUG,SIZE 1, 9
POSN



TE Part #5746881-1
MALE SCREW RETAINER
KIT



TE Part #5207908-4
STRAIN REL W/SCREW
RET KIT



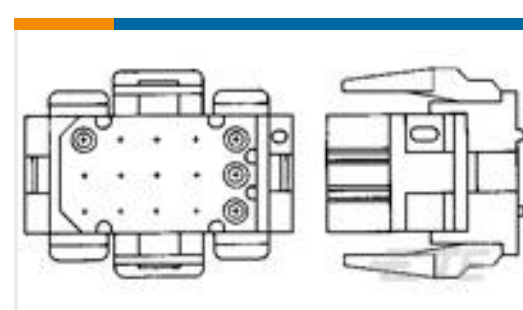
TE Part #5207908-7
STRAIN REL W/SCRW RET
KIT,SZ 3



TE Part #747784-3
AMPLI JACKSCREW 4-40
KIT



TE Part #747784-8
JACKSCREW KIT,4-40,
BULK



TE Part #1-640519-0
04P MR II PLUG HSG V0
RED

Documents

Product Drawings

[STRAIN RELIEF W/SCREW RET KIT](#)

English

CAD Files

[Customer View Model](#)

[ENG_CVM_5207908-1_A.2d_dxf.zip](#)

English

[Customer View Model](#)



[ENG_CVM_5207908-1_A.3d_igs.zip](#)

English

Customer View Model

[ENG_CVM_5207908-1_A.3d_stp.zip](#)

English

[3D PDF](#)

English

Datasheets & Catalog Pages

[AMPLIMITE Subminiature D Connectors - Cable Connectors](#)

English

Product Environmental Compliance

[MD_5207908-1_05282018446_dmtec](#)

English

[MD_5207908-1_05282018446_dmtec](#)

English