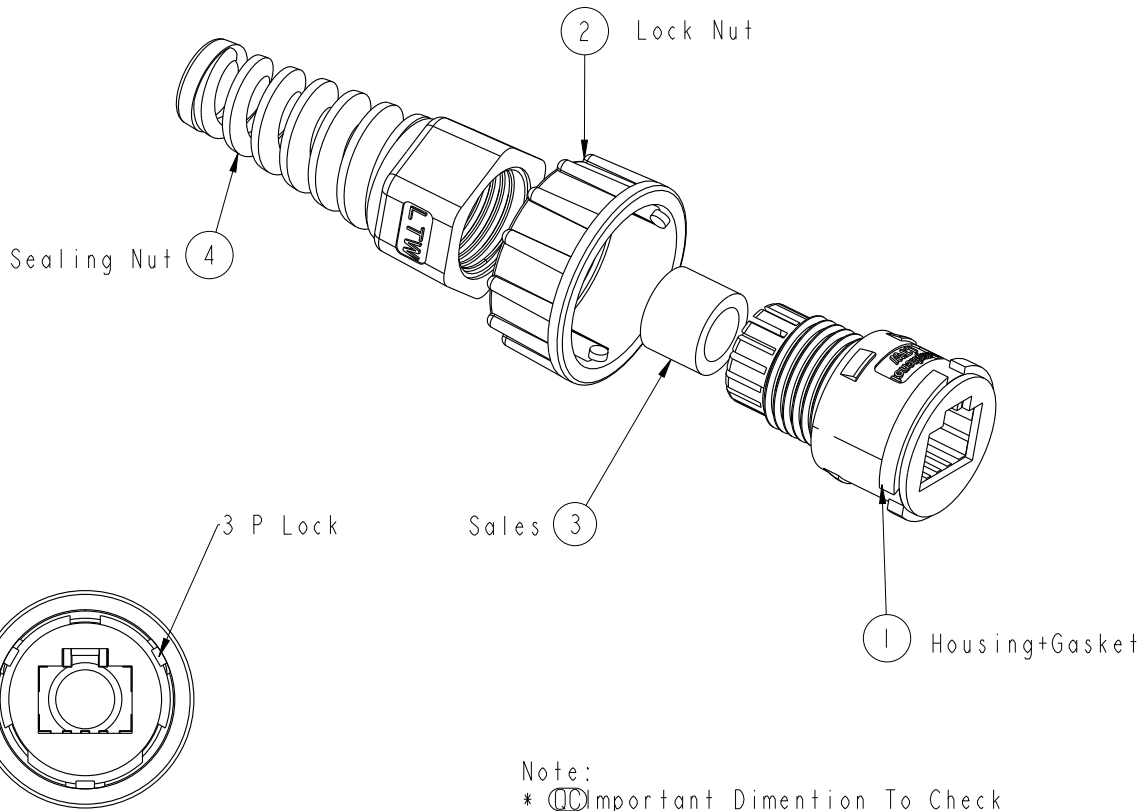
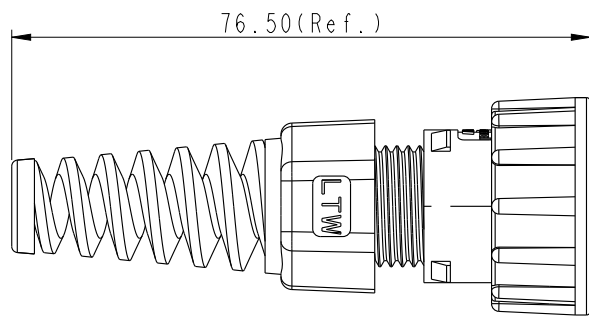
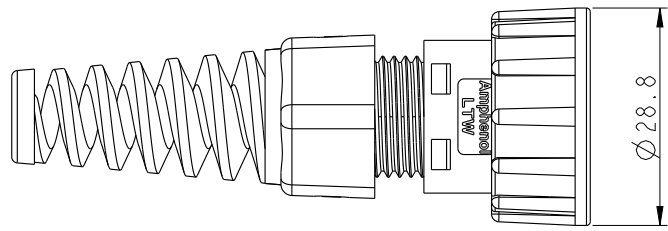


REV.	ECN NO.	DATE	SIGN	DESCRIPTION

THIS DOCUMENT IS SUBJECT TO CHANGE WITHOUT NOTICE. IT IS CONFIDENTIAL AND A PROPERTY OF Amphenol LTW. DISCLOSURE TO THIRD PARTY HAS TO BE AUTHORIZED BY Amphenol LTW.



- Note:
- \* Ø Important Dimension To Check
  - \* Waterproof Rate: IP67
  - \* Gasket: Silicon, Dgray.
  - \* Housing: Nylon Black
  - \* Screw Nut: Nylon+GF, Black
  - \* Sealing Nut: Nylon, Black
  - \* Seals For Cable OD  $\varnothing$  4.5mm- $\varnothing$  6.5mm
  - \* One Set Unassembled In One PE Bag

**ALTW**  
CONFIDENTIAL  
2013-04-24  
R&D DEPT.

**ALTW**  
DCC. DEPT.  
CONFIDENTIAL  
2013.05.07  
ISSUED

UNIT: mm		TITLE RJ45 ASSY, DSIZE, 3T WITH SR			ITEM NO RDP-00AMMA-TLM7001	DRAWN BY Laurence_zang	DATE 2013-04-24
		TOLERANCE .X ±0.25 .XX ±0.1 .XXX ±0.05 ANGLES ±1°	SCALE 1:1	SIZE A4	SHEET 1 OF 1	DWG NO RDP-00AMMA-TLM7001	CHECKED BY Raison
		REV. A	WC-REV. A.7	QC: Inspection item	CUSTOMER ALTW	APPROVED BY Victor	DATE 2013-04-24

**Amphenol LTW**  
安費諾亮泰企業股份有限公司