

## Product Features

- A comprehensive range of dimmers suitable for indoor LED lighting
- Intelligent dimmers capable of RGB colour adjustment
- DALI, DMX, 1-10V, PUSH and Constant voltage dimmers available
- 0-100% dimming range via logarithmic characteristic, perfect for human vision
- 256 levels of grey scales with smooth dimming control
- Power repeater available for increased lengths of LED tape

# DALI, DMX, PUSH & CV



## DALI Series Dimmer

Model	• DAL1DIM1	• DAL1DIM4	• DAL1DIM1P
Input voltage	12-36VDC	12-36VDC	12-36VDC
Max load current	4x5A	4x5A	4x5A
Max output power	4x(60-180)W	4x(60-180)W	4x(60-180)W
Load type	Regular LED (0.04-0.1W)	Regular LED (0.04-0.1W)	Regular LED (0.04-0.1W)
Ta	-20~+50°C	-20~+50°C	-20~+50°C
Tc	+75°C	+75°C	+75°C
Remarks	1 DALI Address	4 DALI Address	1 DALI Address
Additional functions	-	-	Push Dimmer
Dimensions (L x W x H mm)	160 x 45 x 18	160 x 45 x 18	160 x 45 x 18

## 1-10V Series Dimmer

Model	• CVDIM1	• CVDIM4
Input voltage	12-36VDC	12-36VDC
Max load current	4x5A	4x5A
Max output power	4x(60-180)W	4x(60-180)W
Signal channel	1CH1-10V input/ 4CH PWM Output	4CH1-10V input/ 4CH PWM Output
Load type	Regular LED (0.04-0.1W)	Regular LED (0.04-0.1W)
Ta	-20~+50°C	-20~+50°C
Tc	+75°C	+75°C
Dimensions (L x W x H mm)	178 x 45 x 19	178 x 45 x 19

## LED Power Repeater

Model	• PR1DIM
Input voltage	12-36VDC
Max load current	3/4x5A
Max output power	3/4x(60-180)W
Load type	Regular LED (0.04-0.1W)
Ta	-20~+50°C
Tc	+75°C
Remarks	PWM Control
Dimensions (L x W x H mm)	160 x 45 x 18

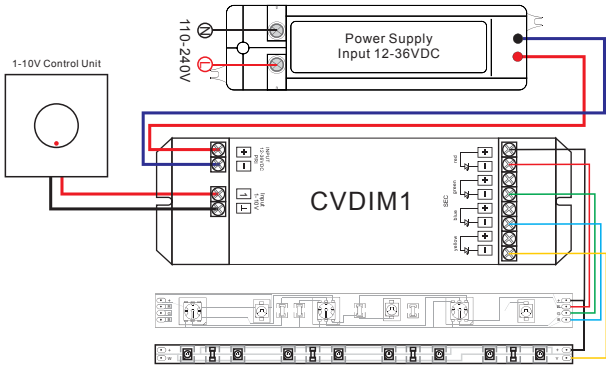
## DMX Series Dimmer

Model	• DMXDIM
Input voltage	12-36VDC
Max load current	3/4/5x5A
Max output power	3/4/5x(60-180)W
Load type	Regular LED (0.04-0.1W)
Ta	-20~+50°C
Tc	+75°C
Remarks	Visible Address
Dimensions (L x W x H mm)	160 x 57 x 21

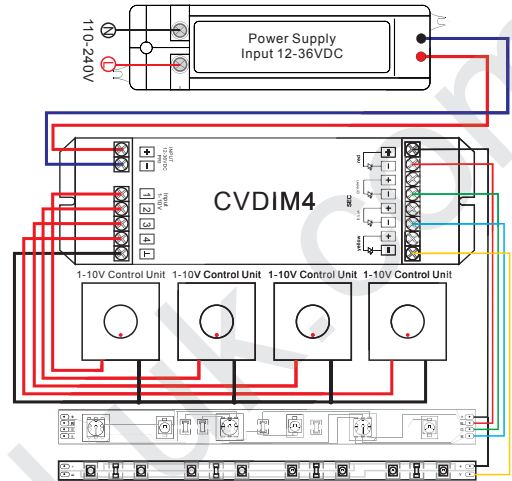
# DALI, DMX, PUSH & CV



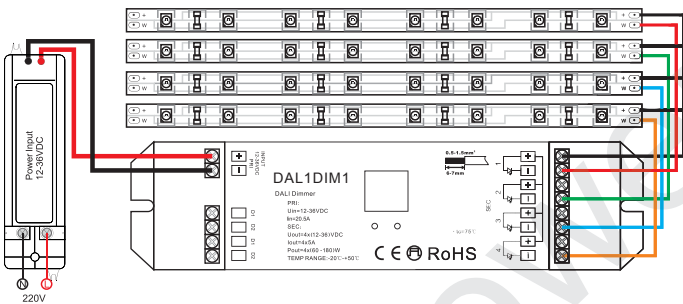
CV1DIM Mechanical



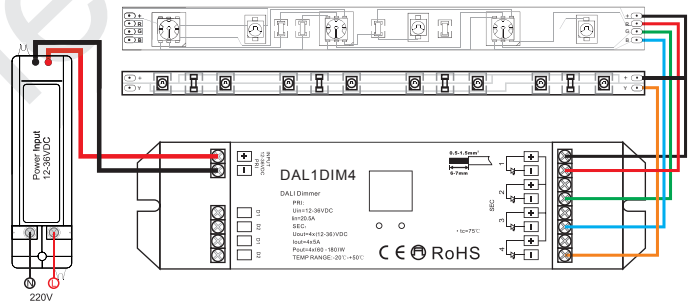
CVDIM4 Mechanical



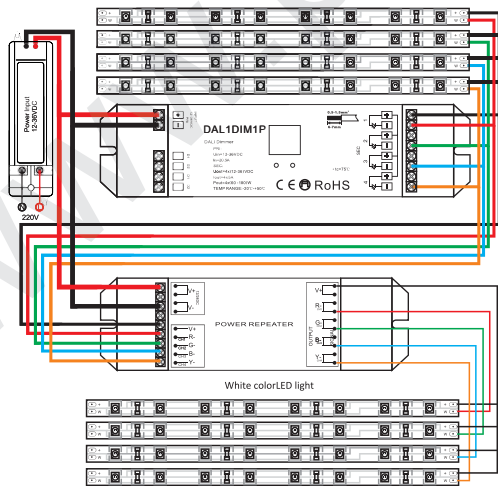
DAL1DIM1 Mechanical



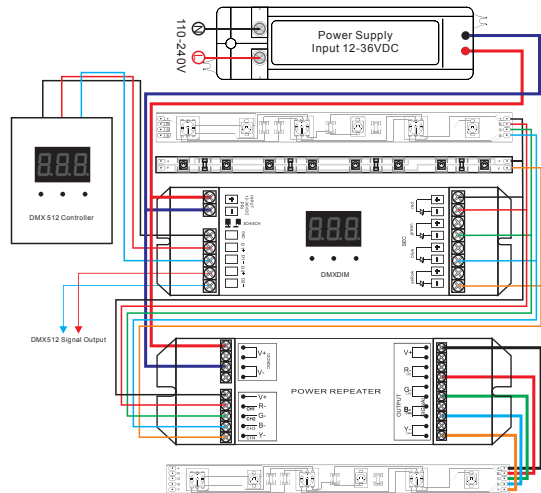
DAL1DIM4 Mechanical



DAL1DIM1P Mechanical



DAL1DMX and RP1DIM Mechanical



DALI is a trademark or registered trademark of ZVEI - Zentralverband Elektrotechnik- und Elektronikindustrie

0845 533 0495

www.powerled.uk.com

Power  LED

# LED DIMMING

# LED POWER & CONTROL



[www.powerled.uk.com](http://www.powerled.uk.com)

0845 533 0495

[sales@powerled.uk.com](mailto:sales@powerled.uk.com)