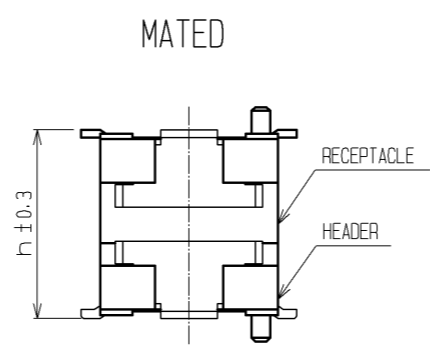


製品コード	CONTACT	A	B	C	D	E	F	G	H	J
CL0683-0122-4-57	20	10	6.7	5.6	4.5	9.8	8.2	7	10.4	7.6
CL0683-0123-7-57	30	12.5	9.2	8.1	7	12.3	10.7	9.5	12.9	10.1
CL0683-0124-0-57	40	15	11.7	10.6	9.5	14.8	13.2	12	15.4	12.6
CL0683-0125-2-57	50	17.5	14.2	13.1	12	17.3	15.7	14.5	17.9	15.1
CL0683-0126-5-57	60	20	16.7	15.6	14.5	19.8	18.2	17	20.4	17.6
CL0683-0127-8-57	70	22.5	19.2	18.1	17	22.3	20.7	19.5	22.9	20.1
CL0683-0128-0-57	80	25	21.7	20.6	19.5	24.8	23.2	22	25.4	22.6

- NOTES
- ① LEAD CO-PLANARITY INCLUDE REINFORCED METAL FITTINGS SHALL BE 0.1 mm MAX.
 - ② WATCH NOT LET THE CONTACTS TOUCH THE SECTION ESPECIALLY WHEN THE PADS OF AREA NOT RESIST FINISHED.

MATED HIGHT (h) (mm)

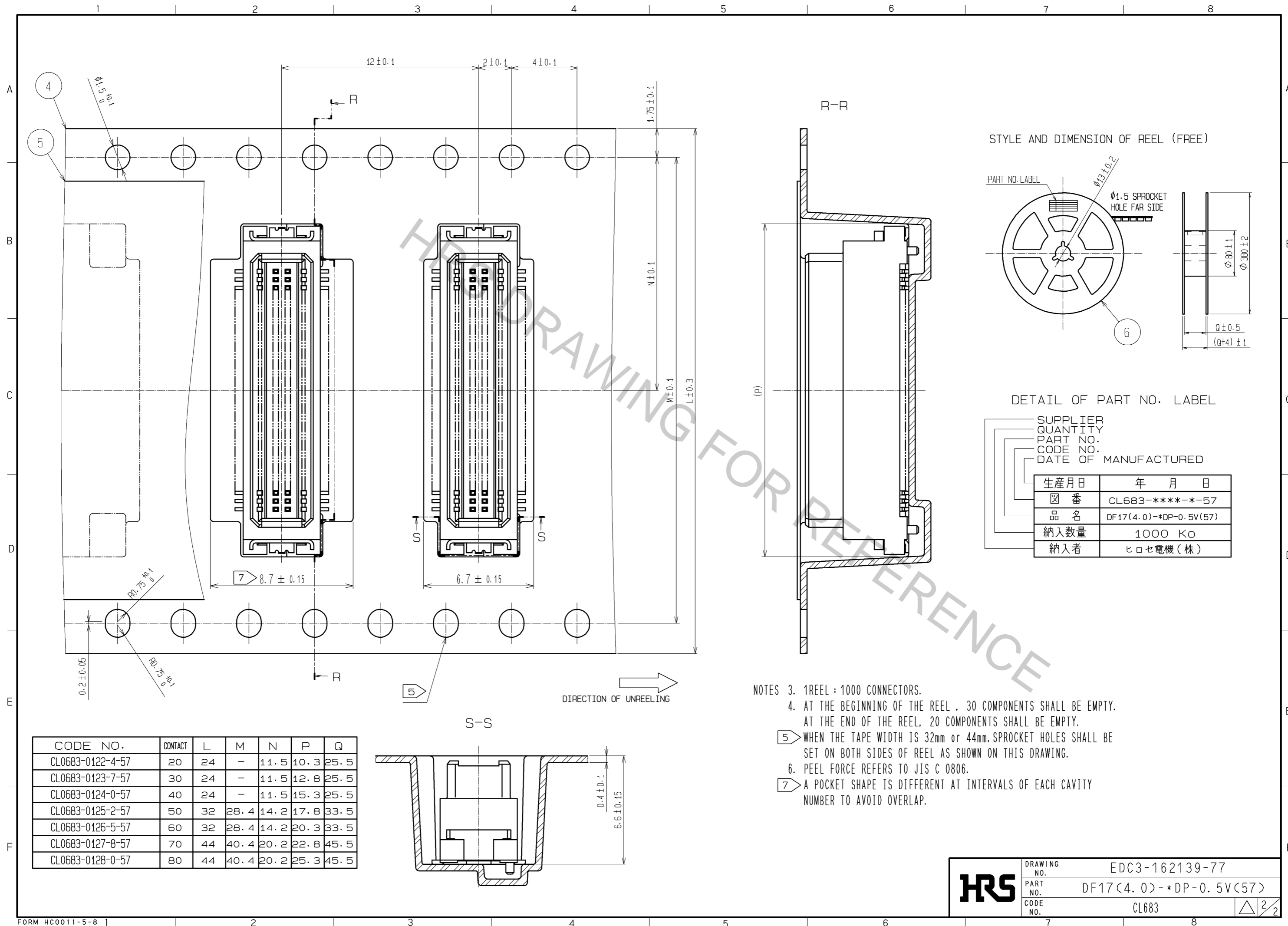
HEADER NO.	RECEPTACLE NO.	DF17#(3.0)-*DS-0.5V(57)	DF17#(4.0)-*DS-0.5V(57)
DF17#(4.0)-*DP-0.5V(57)	7	8	



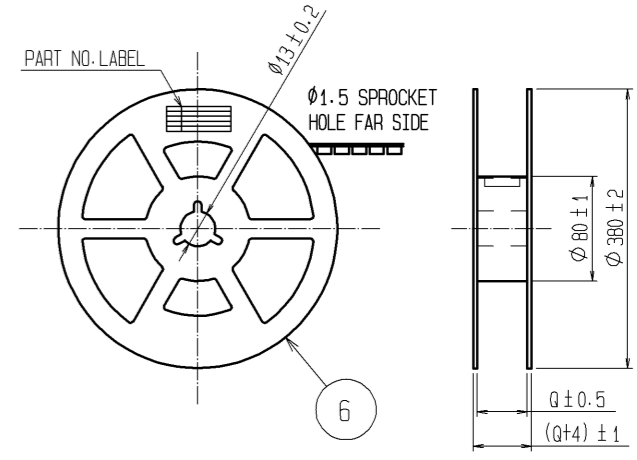
UNITS	SCALE	COUNT	DESCRIPTION OF REVISIONS	DESIGNED	CHECKED	DATE
mm	5 : 1	△	APPROVED : KH. IKEDA 11.12.01			
			CHECKED : TS. MIYAZAKI 11.12.01			
			DESIGNED : YH. MICHIDA 11.12.01			
			DRAWN : YH. MICHIDA 11.12.01			

2	POLYAMIDE (PA6T)	NATURAL (BEIGE) · UL94V-0	6	PS	PLASTIC REEL · BLACK
1	PHOSPHOR BRONZE	CONTACT AREA: GOLD PLATED 0.1µm min LEAD AREA: TIN PLATED 1µm min UNDER PLATING: NICKEL PLATED 1µm min	5	POLYESTER	CLEAR (COVER TAPE)
			4	PS	CLEAR (EMBOSSED CARRIER TAPE)
			3	PHOSPHOR BRONZE	TIN PLATED 1µm min UNDER PLATING: NICKEL PLATED 1µm min
NO.	MATERIAL	FINISH , REMARKS	NO.	MATERIAL	FINISH , REMARKS

DRAWING NO.	EDC3-162139-77
PART NO.	DF17(4.0)-*DP-0.5V(57)
CODE NO.	CL683



STYLE AND DIMENSION OF REEL (FREE)

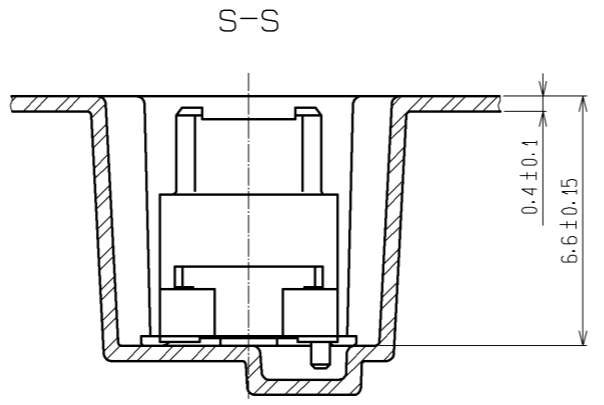


DETAIL OF PART NO. LABEL

SUPPLIER	
QUANTITY	
PART NO.	
CODE NO.	
DATE OF MANUFACTURED	
生産月日	年 月 日
図番	CL683-*****-57
品名	DF17(4.0)-*DP-0.5V(57)
納入数量	1000 KO
納入者	ヒロセ電機(株)

- NOTES
- 1 REEL : 1000 CONNECTORS.
 - AT THE BEGINNING OF THE REEL , 30 COMPONENTS SHALL BE EMPTY.
AT THE END OF THE REEL, 20 COMPONENTS SHALL BE EMPTY.
 - WHEN THE TAPE WIDTH IS 32mm or 44mm, SPROCKET HOLES SHALL BE SET ON BOTH SIDES OF REEL AS SHOWN ON THIS DRAWING.
 - PEEL FORCE REFERS TO JIS C 0806.
 - A POCKET SHAPE IS DIFFERENT AT INTERVALS OF EACH CAVITY NUMBER TO AVOID OVERLAP.

CODE NO.	CONTACT	L	M	N	P	Q
CL0683-0122-4-57	20	24	-	11.5	10.3	25.5
CL0683-0123-7-57	30	24	-	11.5	12.8	25.5
CL0683-0124-0-57	40	24	-	11.5	15.3	25.5
CL0683-0125-2-57	50	32	28.4	14.2	17.8	33.5
CL0683-0126-5-57	60	32	28.4	14.2	20.3	33.5
CL0683-0127-8-57	70	44	40.4	20.2	22.8	45.5
CL0683-0128-0-57	80	44	40.4	20.2	25.3	45.5



HRS	DRAWING NO.	EDC3-162139-77
	PART NO.	DF17(4.0)-*DP-0.5V(57)
	CODE NO.	CL683
		△ 2/2