

Datasheet - AZ 3350-12ZUEK

Safety switch with separate actuator / AZ 3350



- Metal enclosure
- Latching handle
- Long life
- 40,5 mm x 114 mm x 38 mm
- High level of contact reliability with low voltages and currents
- 1 Cable entry M 20 x 1.5

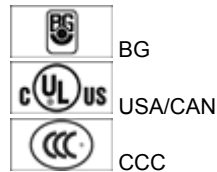
(Minor differences between the printed image and the original product may exist!)

Ordering details

Product type description	AZ 3350-12ZUEK
Article number	1214053
EAN code	4030661397580
To order, first choose the desired safety switch and then the door handle system	

Approval

Approval



Classification

Standards	EN ISO 13849-1
B _{10d} Normally-closed contact (NC)	2.000.000
B _{10d} Normally open contact (NO)	1.000.000
- notice	at 10% I _e and ohmic load
Mission time	20 Years
notice	

$$MTTF_d = \frac{B_{10d}}{0,1 \times n_{op}}$$

$$n_{op} = \frac{d_{op} \times h_{op} \times 3600 \text{ s/h}}{t_{cycle}}$$

Global Properties

Product name	AZ 3350
Standards	EN 60947-5-1, BG-GS-ET-15, EN 1088
Materials	
- Material of the housings	Aluminium
- Material of the contacts	Silver
Housing coating	painted
Weight	250 g
Recommended actuator	AZ 3350-B1, AZ 3350-B5, AZ 3350-B1R, AZ 3350-B5R, AZ 3350-B6, AZ 3350-B6H

Mechanical data

Design of electrical connection	Screw connection
Cable section	
- Min. Cable section	0,75 mm ²
- Max. Cable section	2.5 mm ²
Mechanical life	1.000.000 operations
higher Latching force (Y/N)	No
Shearing force	15.000 N
Positive break force	5 N for each NC contact fitted
positive break travel	10.7 mm
Door hinge	left
notice	All indications about the cable section are including the conductor ferrules.

Ambient conditions

Ambient temperature	
- Min. environmental temperature	-30 °C
- Max. environmental temperature	+90 °C
Protection class	IP67 to IEC/EN 60529

Electrical data

Design of control element	Normally open contact (NO), Opener (NC)
Switching principle	Slow action with overlapping contacts
Number of auxiliary contacts	1 piece
Number of safety contacts	2 piece
Rated impulse withstand voltage U_{imp}	4 kV
Rated insulation voltage U_i	250 V
Thermal test current I_{the}	10 A
Utilisation category	AC-15: 230 V / 4 A, DC-13: 24 V / 4 A
Max. fuse rating	6 A gG D-fuse

ATEX

Explosion protection categories for gases	None
Explosion protected category for dusts	None

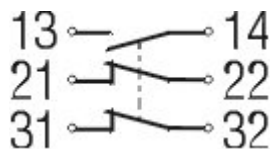
Dimensions

Dimensions of the sensor	
- Width of sensor	40.5 mm
- Height of sensor	114 mm
- Length of sensor	38 mm






Included in delivery

Mounting plate for safety switch
 Actuator incl. mounting plate
 emergency handle

Diagram



Note Diagram

-  positive break NC contact
-  active
-  no active
-  Normally-open contact
-  Normally-closed contact

Ordering suffix

The applicable ordering suffix is added at the end of the part number of the safety switch.
 Order example: AZ 3350-12ZUEK-1637

...-1637	0,3 µm gold-plated contacts
----------	-----------------------------

Ordering code

AZ 3350-(1)-(2)-(3)

(1)

03ZK 3 Opener (NC)

12ZUEK 1 Normally open contact (NO) / 2 Opener (NC)

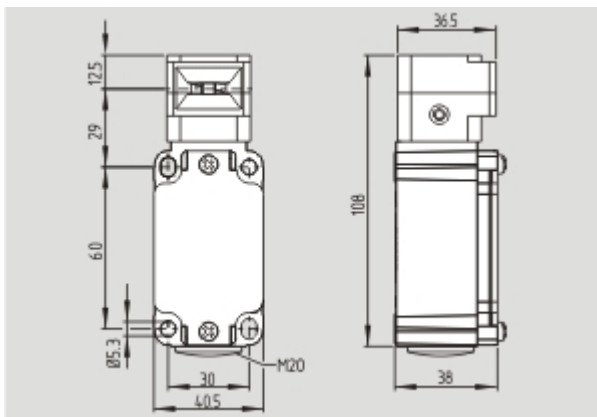
(2)

1637 gold-plated contacts

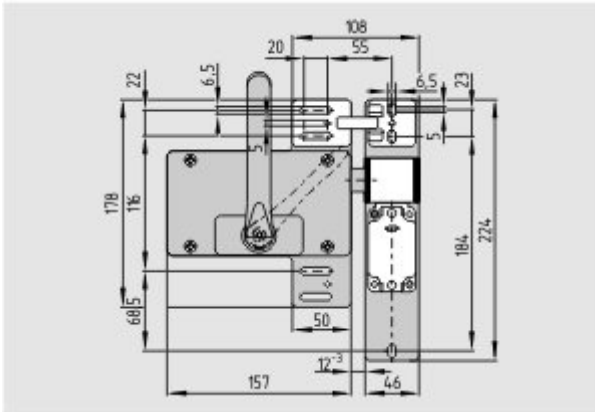
(3)

U90 Actuating head rotated by 90° for Door hinge left

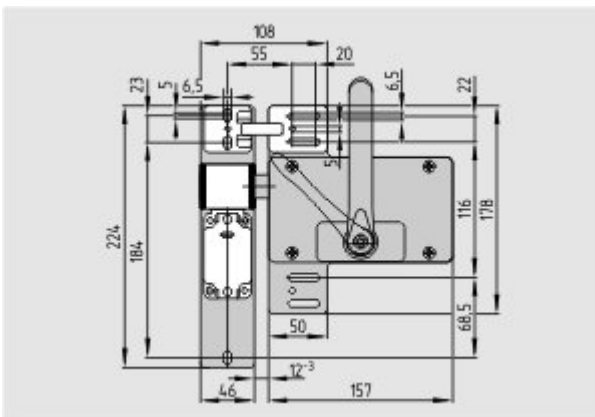
U270 Actuating head rotated by 270° for Door hinge right



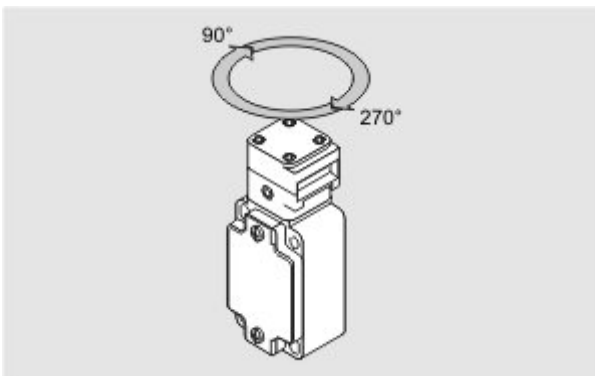
Dimensional drawing (basic component)



Dimensional drawing (miscellaneous)



Dimensional drawing (miscellaneous)



Application

System components

Actuator



1214073 - AZ 3350-B6H

- Particularly suitable for hinged guards



1214069 - AZ 3350-B6

- Particularly suitable for hinged guards



1214072 - AZ 3350-B5R

- Particularly suitable for hinged guards



1214068 - AZ 3350-B1R

- Particularly suitable for hinged guards



1214067 - AZ 3350-B5

- Particularly suitable for sliding doors



1214066 - AZ 3350-B1

- Particularly suitable for sliding doors

Door-handle system



AZ 3350-ST30

- Latching handle

Accessories

Lockout tag SZ 415

- Suitable for mounting inside and outside of the hazardous area
- To prevent inadvertent closing, e.g. during maintenance



- For complex plant
- Prevents actuation of the switch
- Lockout tag with 3 circular holes



Centring device

- Pre-positioning
- The actuator is independent from the centring device.
- Smooth insertion or retraction of the actuator

K.A. Schmersal GmbH, Möddinghofe 30, D-42279 Wuppertal

The data and values have been checked thoroughly. Technical modifications and errors excepted.

Generiert am 10.10.2011 - 10:23:46h Kasbase 1.5.5 DBI