

RS 185-0171 and 184-7715

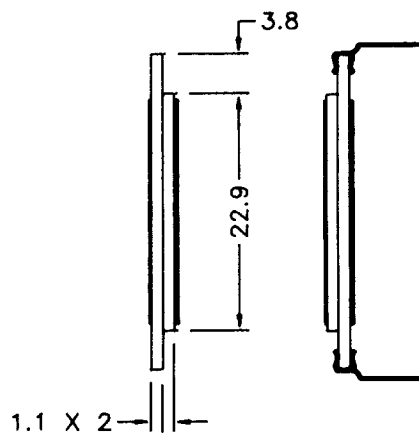
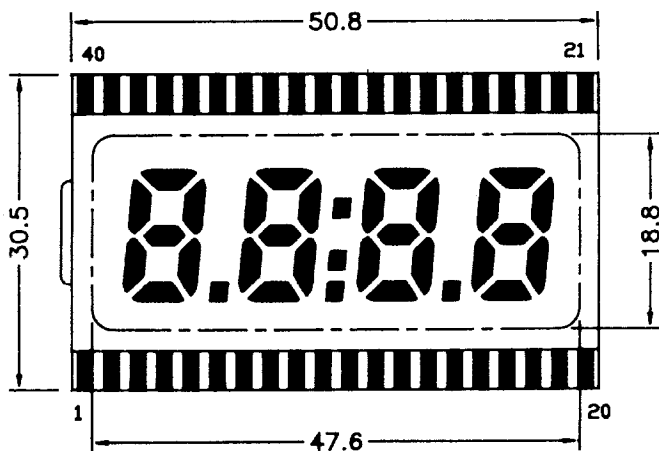
PERFORMANCE SPECIFICATIONS (TYPICAL VALUES)

DISPLAY TYPE		WIDE TEMPERATURE
ITEMS		
OPERATING VOLTAGE		5.0 V
MAX. DC COMPONENT ALLOWABLE		50 mA
VIEWING ANGLE	HORIZONTAL	$\pm 35^\circ$
	VERTICAL	$+40^\circ / -10^\circ$
OPERATING TEMPERATURE ($^\circ\text{C}$)		-30 TO 80
STORAGE TEMPERATURE ($^\circ\text{C}$)		-40 TO 85

TYPICAL ENVIRONMENTAL TESTS

ITEMS	DISPLAY TYPE	WIDE TEMPERATURE GRADE
UPPER TEMPERATURE STORAGE		85 $^\circ\text{C}$ / 240 HRS
LOWER TEMPERATURE STORAGE		-40 $^\circ\text{C}$ / 240 HRS
UPPER TEMPERATURE OPERATION		80 $^\circ\text{C}$ / 240 HRS
LOWER TEMPERATURE STORAGE		-30 $^\circ\text{C}$ / 240 HRS
HIGH HUMIDITY		60 $^\circ\text{C}$ 90%RH / 240 HRS
THERMAL SHOCK X 10 CYCLES		-30 $^\circ\text{C}$ \leftrightarrow 25 $^\circ\text{C}$ \leftrightarrow 85 $^\circ\text{C}$ 30 MINS. 10 MINS. 30 MINS.
EXPECTED LIFE		100,000 HRS

NO NOTICEABLE CHANGES IN EXTERNAL APPEARANCE OR FUNCTION ARE TO BE FOUND AFTER ABOVE TESTS



PIN	COM	PIN	COM	PIN	COM	PIN	COM
1	COM	11	2C	21	4A	31	2F
2	NC	12	2P	22	4F	32	2G
3	NC	13	3E	23	4G	33	NC
4	NC	14	3D	24	3B	34	1B
5	1E	15	3C	25	3A	35	1A
6	1D	16	3P	26	3F	36	1F
7	1C	17	4E	27	3G	37	1G
8	1P	18	4D	28	COM	38	NC
9	2E	19	4C	29	2B	39	NC
10	2D	20	4B	30	2A	40	COM

