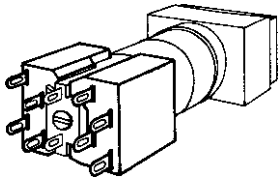
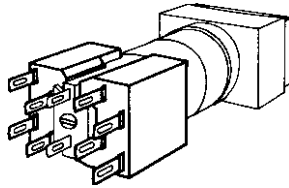


Connections all at the rear end in one plane, easily accessible when mounting block-wise



Solder terminals

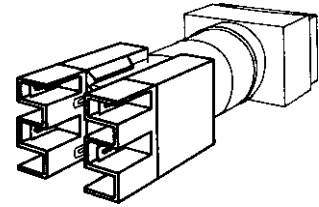
For wire $2 \times 0,75 \text{ mm}^2$ or
strands $1 \times 1 \text{ mm}^2$.



Faston terminals

$2,8 \times 0,5 \text{ mm}$

For faston plug and cable
plug,

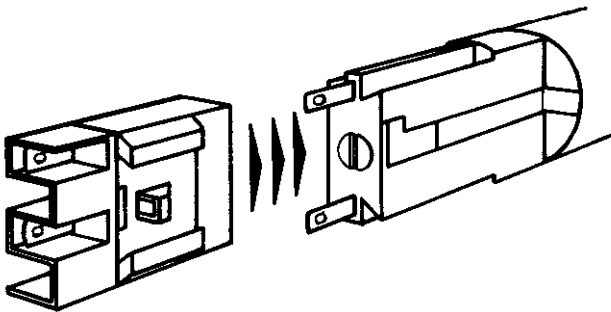


Faston terminals

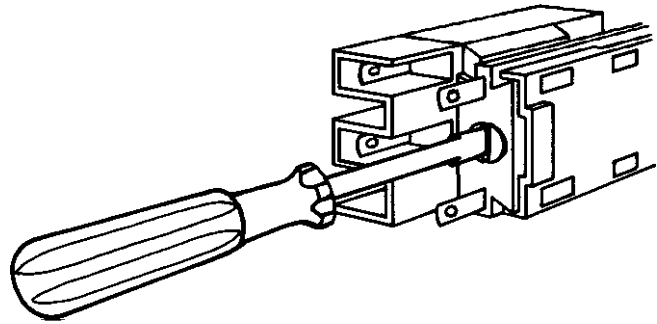
$2,8 \times 0,5 \text{ mm}$

With extended insulation for
single connectors.

Quick mounting of the contact blocks simply by sliding on and securing



Assembly: The contact block is a sliding fit onto the dovetailed switch body; turn the nick of the red locking pin parallel to the dovetail.

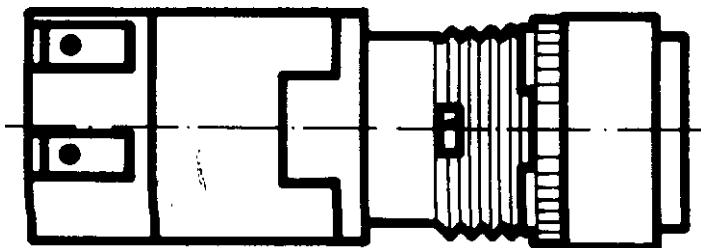


Securing: By a quarter-turn to the right of the red locking pin (with a screwdriver),

Selector mechanism

Cut stock investment while building prototypes or for servicing.

You decide the function impulse switch or latching switch by means of the simple and proven built in selector mechanism



General production with patented selector mechanism for the selection of the function impulse or latching.

Application: with, for example, a paper clip the wire in the window can be pushed to the right for the impulse function.

saia-burgess

