

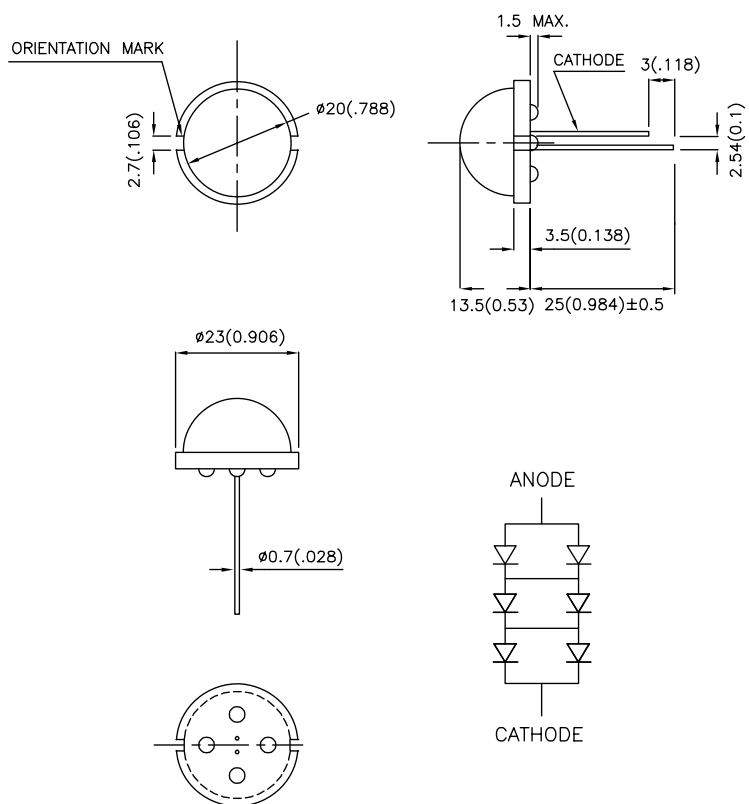
### Features

- 2 PINS.
- HIGH LUMINOUS INTENSITY.
- LOW POWER CONSUMPTION.
- WIDE VIEWING ANGLE.
- CATEGORIZED FOR LUMINOUS INTENSITY.
- EXCELLENT ON/OFF CONTRAST.
- EASY MOUNTING ON P.C. BOARD OR SOCKETS.
- SOLID STATE RELIABILITY.
- RoHS COMPLIANT.

### Description

The Orange source color devices are made with Gallium Arsenide Phosphide on Gallium Phosphide Orange Light Emitting Diode.

### Package Dimensions & Internal Circuit Diagram



**Notes:**

1. All dimensions are in millimeters (inches).
2. Tolerance is  $\pm 0.25(0.01)$ " unless otherwise noted.
3. Lead spacing is measured where the leads emerge from the package.
4. Specifications are subject to change without notice.



## Selection Guide

Part No.	Dice	Lens Type	Iv (mcd) [2] @ 10 mA		Viewing Angle [1]
			Min.	Typ.	2θ1/2
DLC2/6ED	ORANGE (GaAsP/GaP)	ORANGE DIFFUSED	8	54.04	120°

Notes:

1. θ1/2 is the angle from optical centerline where the luminous intensity is 1/2 the optical centerline value.
2. Luminous Intensity / Luminous Flux: +/-15%.

## Electrical / Optical Characteristics at TA=25°C

Symbol	Parameter	Device	Typ.	Max.	Units	Test Conditions
$\lambda_{peak}$	Peak Wavelength	Orange	627		nm	IF=10mA
$\lambda_D$ [1]	Dominant Wavelength	Orange	625		nm	IF=10mA
$\Delta\lambda_{1/2}$	Spectral Line Half-width	Orange	45		nm	IF=10mA
C	Capacitance	Orange	15		pF	VF=0V;f=1MHz
VF [2]	Forward Voltage	Orange	5.7	7.5	V	IF=10mA
IR	Reverse Current	Orange		20	uA	VR = 15V

Notes:

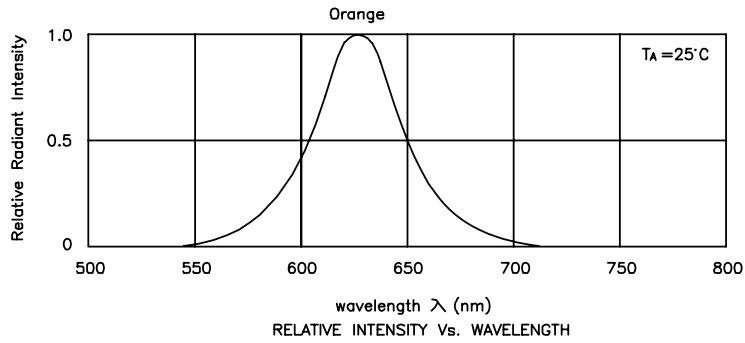
1. Wavelength: +/-1nm.
2. Forward Voltage: +/-0.1V.

## Absolute Maximum Ratings at TA=25°C

Parameter	Orange	Units
Power dissipation	450	mW
Forward Current [1]	60	mA
Reverse Voltage	15	V
Operating / Storage Temperature	-40°C To +85°C	
Lead Solder Temperature [2]	260°C For 3~5 Seconds	

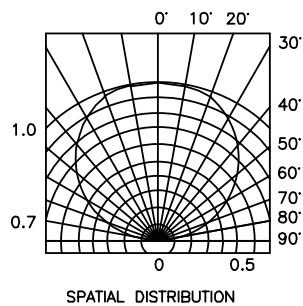
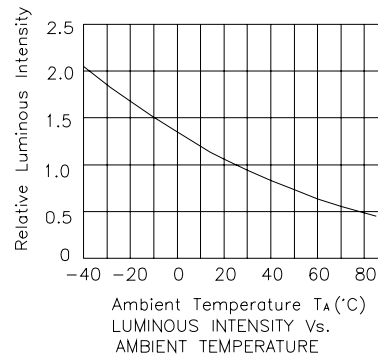
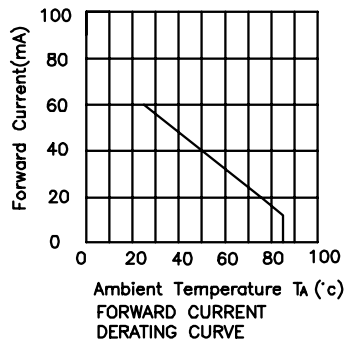
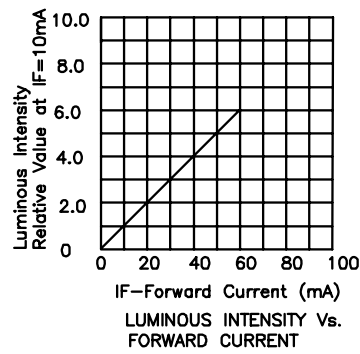
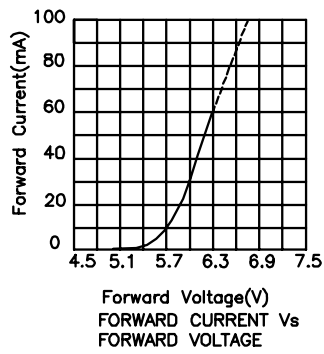
Notes:

1. The chips are three in series and two parallel.
2. 2mm below package base.



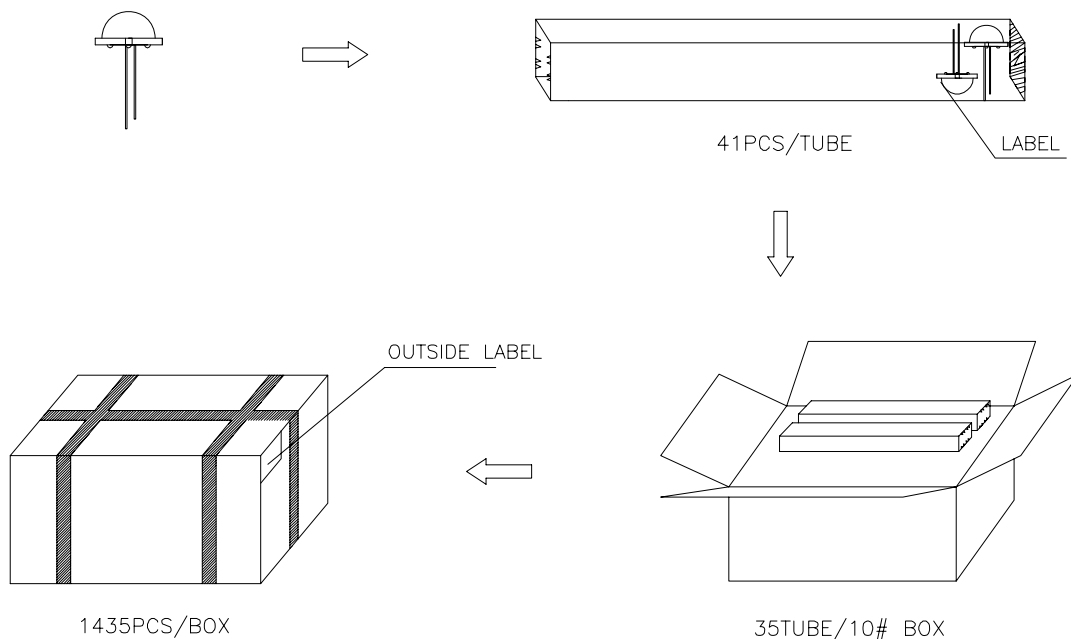
## Orange

## DLC2/6ED

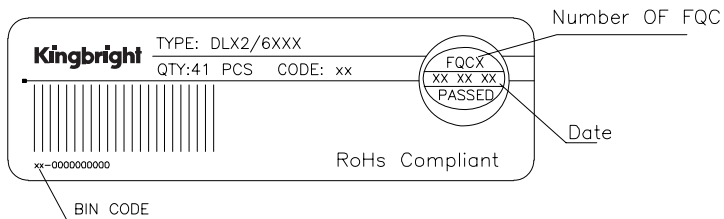


## PACKING & LABEL SPECIFICATIONS

## DLC2/6ED



Inside LABEL Paste On The IC-tube



Outside LABEL Paste On The Box

