

Drawing Number	81660	Issue	A
Part Number	N / A		

IF IN DOUBT - ASK

PRODUCT TO CONFORM TO EU DIRECTIVES 2002/95/EC RESTRICTION OF HAZARDOUS SUBSTANCES (RoHS) AND DIRECTIVE 2002/96/EC WASTE ELECTRICAL AND ELECTRONIC EQUIPMENT AND BE MARKED ACCORDINGLY ON PRODUCT AND PAPERWORK.

Development only

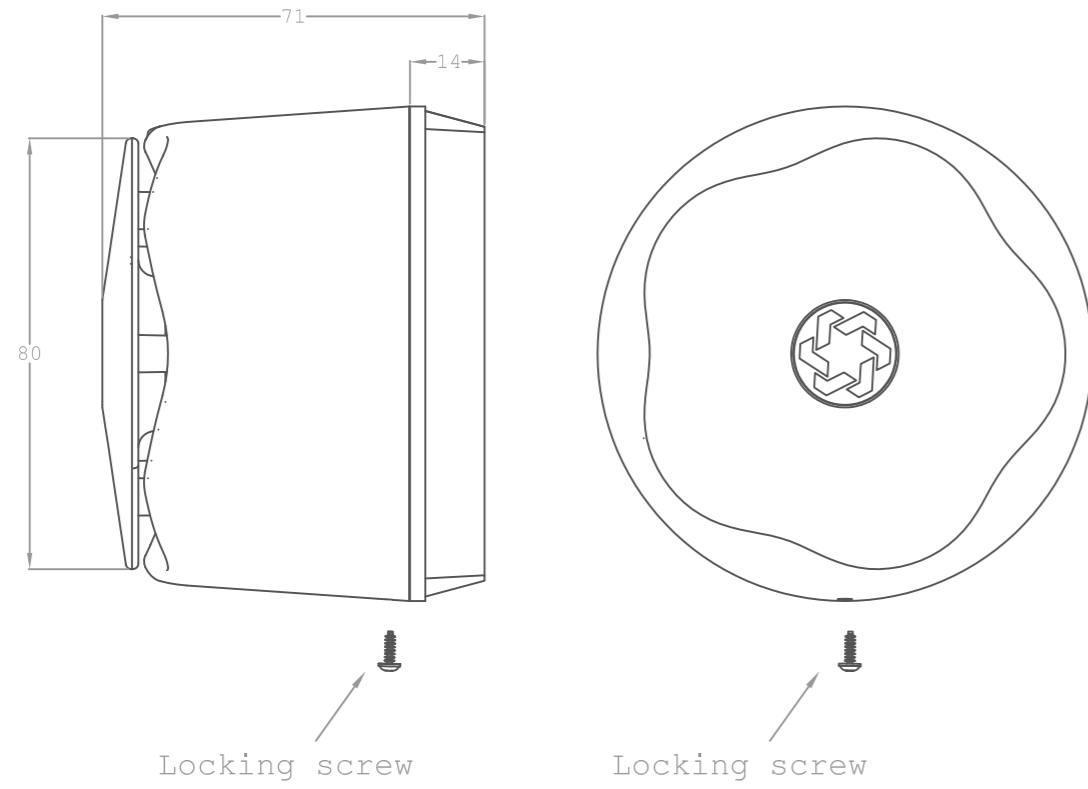
THE COPYRIGHT IN THIS DRG. IS THE PROPERTY OF HOSIDEN BESSON AND THE DRG. IS ISSUED ON CONDITION THAT IT IS NOT COPIED, REPRINTED OR REPRODUCED NOR ITS CONTENTS DISCLOSED EITHER WHOLLY OR IN PART TO ANY THIRD PARTY WITHOUT CONSENT IN WRITING FROM HOSIDEN BESSON LTD.

IF IN DOUBT - ASK

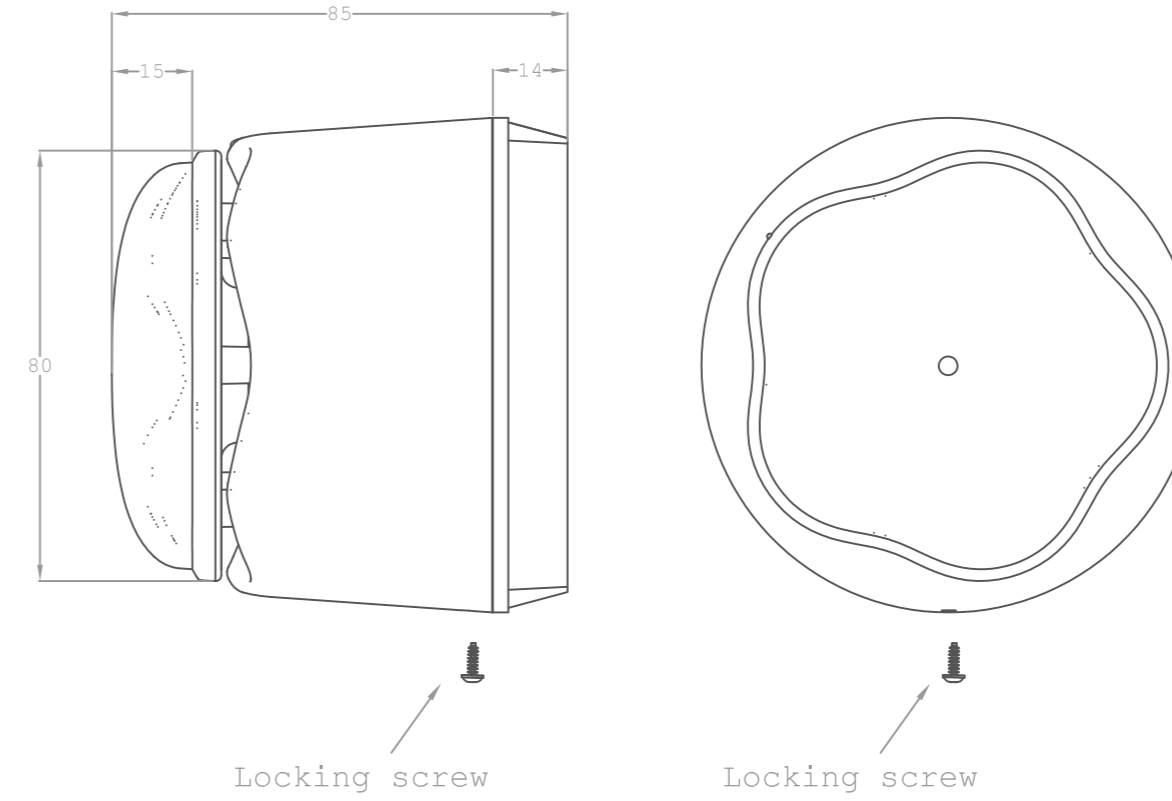
PROJECTION: FIRST ANGLE
PROJECTION: THIRD ANGLE

IF THIS DRAWING DOES NOT HAVE A RED STAMPED IDENTITY IT IS AN UNCONTROLLED COPY.

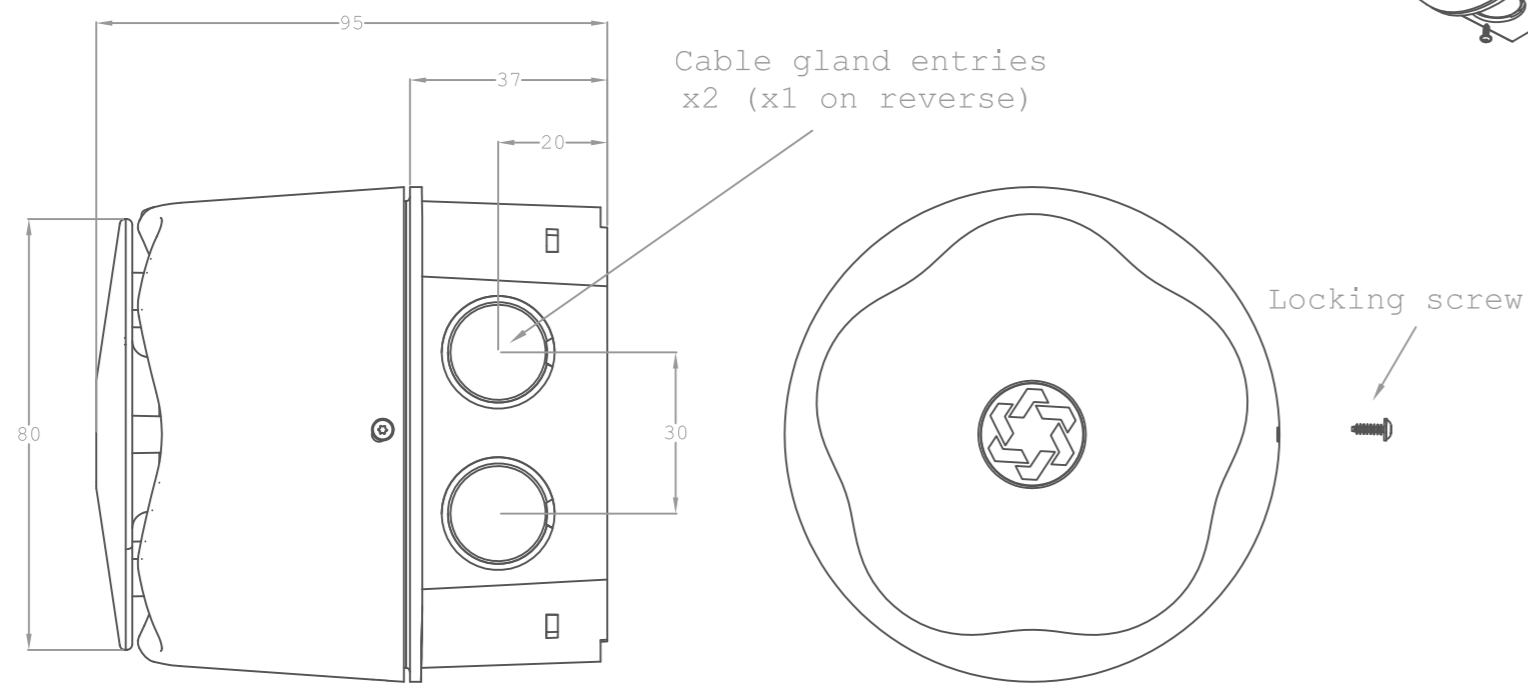
Banshee EXCEL sounder with standard base



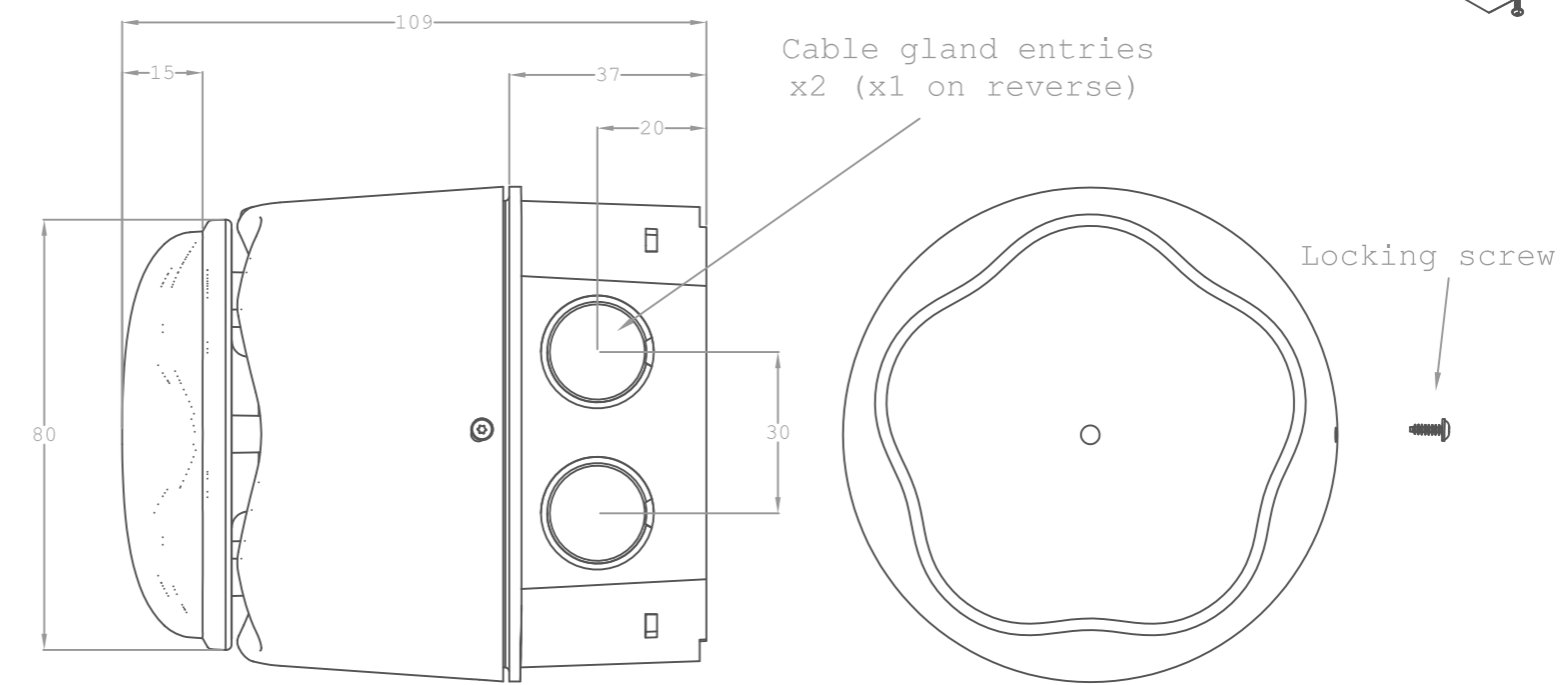
Banshee EXCEL LITE with standard base



Banshee EXCEL sounder with deep base



Banshee EXCEL LITE with deep base



Issue	Revision	Change Note	Init	Date
A	Development only	n/a	A.J.A.	18/01/2011



Hosiden Besson Ltd.

11 St. Joseph's Close, Hove, East Sussex BN3 7EZ, England
Tel: General (01273) 860000. International +44 (0)1273 860000
Sales (01273) 861166. Fax: (01273) 777501.

MATERIAL :	81597	81601	81648	FINISH :	81597	81601	81648
See drawings :	81598	81602	81649	See drawings :	81598	81602	81649
	81599	81638	81650		81599	81638	81650
	81600	81647			81600	81647	

IF IN DOUBT - ASK

ALL DIMENSIONS ARE IN MM
METRIC TOLERANCES UNSPECIFIED
±0.1 Dim to 1 dec places
±0.2 Dim to 1 dec places
±2° Angular
REMOVE BURRS & SHARP EDGES

DRAWN	Andy Ault
CHECKED	Development only
APPROVED	Development only
SCALE	1 : 1
Zero Defects	



Installation sheet
Assembly Drawings

Banshee EXCEL

Drawing Number ; 81660 Issue A A1

IF IN DOUBT - ASK