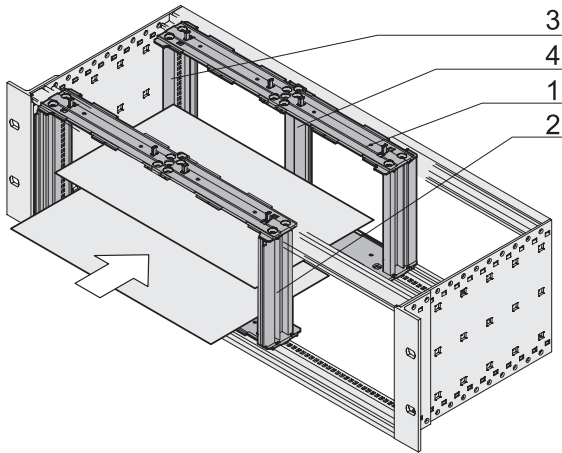
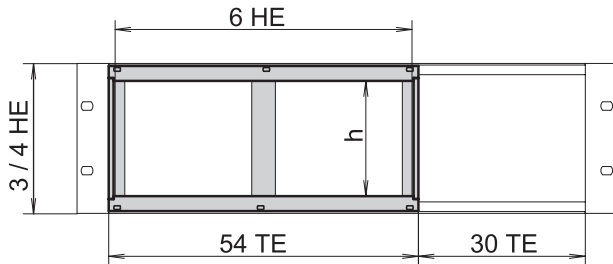


Desk-top cases - *ratio*pac PRO

Horizontal board assembly



BPA45914

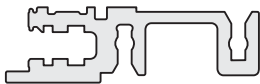


06102073

1 TE = 1 HP, 1 HE = 1 U, h = usable height

Other dimensions and options

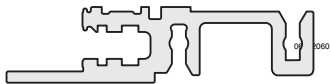
Front assembly A



06102059

Horizontal rail type H-KD
Front horizontal rail, short lip (H-KD)
= flush to end of front panels

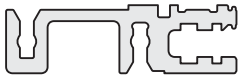
Front assembly B



06102060

Horizontal rail Type H-LD
Front horizontal rail, long lip (H-LD)
= required if IEEE handles are used on
CompactPCI or VME64x Systems

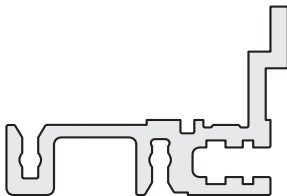
Rear assembly



06102061

Horizontal rail Type H-VT
Rear horizontal rail, + 3 mm (H-VT)
= for direct assembly of backplane

Rear assembly D



06102062

Horizontal rail Type H-MZ
Rear horizontal rail with Z (H-MZ) =
for connector mounting according to
IEC 60603 (DIN 41612)

- For horizontal assembly of double euroboards in 3 or 4 U high subracks/cases

Delivery comprises

Item	Qty	Description
1	4	Support member, Zn die-cast
2	2	Front horizontal rail, type heavy (H), with short lip (H-KD), long lip (H-LD), Al extrusion
3a	2	Rear horizontal rail, type heavy, + 3 mm (H-VT)
3b	2	Rear horizontal rail, with Z (H-MZ), Al extrusion
4 a	1	Horizontal rail at rear centre (VT), Al extrusion
4 b	1	Horizontal rail at rear centre, with Z (MZ), Al extrusion
5a	6	Threaded inserts, St, zinc-plated
5b	2	Threaded inserts, St, zinc-plated (for version with Z)
6	1	Set of assembly parts including user manual

Order Information

Height U	Usable Height h HP	Assembly variants	Order no.
3	20	front A, rear C	24564-117
3	20	front B, rear C	24564-118
3	20	front A, rear D	24564-127
3	20	front B, rear D	24564-128
4	28	front A, rear C	24564-217
4	28	front B, rear C	24564-218

Note

- Please order front frame for EMC shielding separately
- Space requirement without cover is 53 HP



For further information www.schroff.biz/oneclick
oneClick code = Order no.

