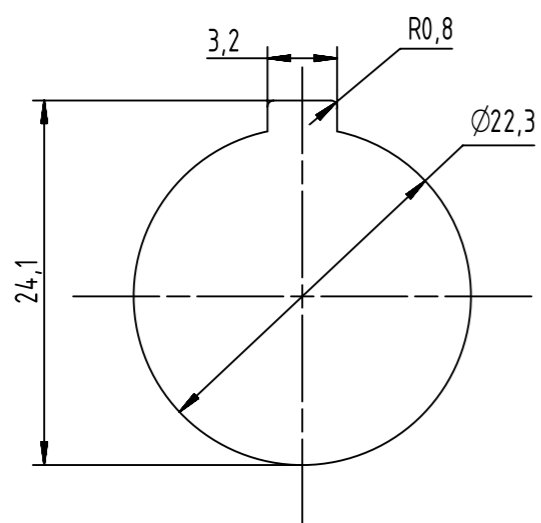
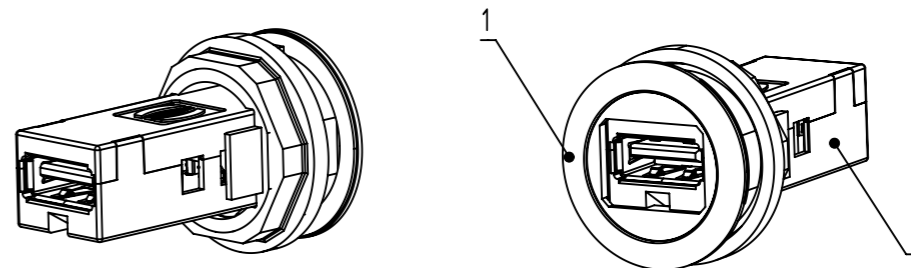


PANEL CUT DIMENSIONS



loading-plan

| | | |
|------------|-------|-------|
| V Bus | 1 | 1 |
| D- | 2 | 2 |
| D+ | 3 | 3 |
| GND | 4 | 4 |
| StdA_SSRX- | 5 | 5 |
| StdA_SSRX+ | 6 | 6 |
| GND_DRAIN | 7 | 7 |
| StdA_SSTX- | 8 | 8 |
| StdA_SSTX+ | 9 | 9 |
| Shield | Shell | Shell |



| | | | | | | | |
|--|--|---|-------------------------|---------------------------|--------------------------|--------------------|------------------------|
| | All rights reserved Department EC PD - FR | All Dimensions in mm Original Size DIN A3 | | | Scale 2:1 | Free size tol. | Ref. Sub. |
| | | HARTING Electronics GmbH D-32339 Espelkamp | Created by BOURGEOIS | Inspected by BAGDIKIAN | Standardisation HASSE | Date 2014-10-09 | State Final Release |
| | | Title har-port USB 3.0 A-A PFT black | | | | Rev. B | |
| | | Type TB | | Number 09454521904 | | Page 1/1 | |