

ABT-460-RC ELECTRO MECHANICAL TRANSDUCER

SOUNDERS & BUZZERS

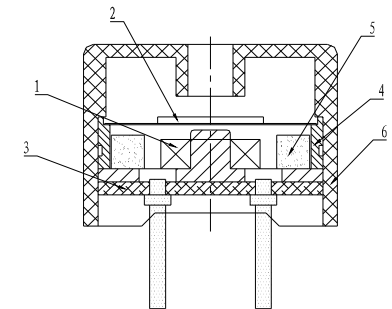
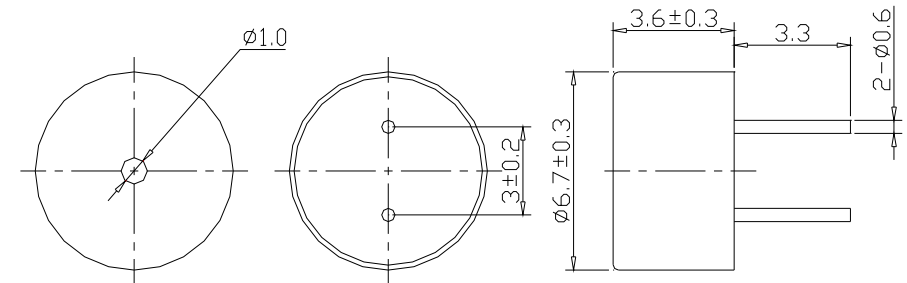
Specifications

ABT-460-RC

Rated voltage(Vp-p square wave)	3Vp-p
Operating voltage	2Vp-p -4Vp-p
Rated current*	≤150mA
Sound output at 3000Hz at 10cm*	≥70dB
Resonant frequency*	3000Hz
Coil resistance	8±2Ω
Operating temperature	-30~+70°C
Storage temperature	-40~+85°C
Weight	1g

*Value applying at rated voltage (AC)

Requires additional electronic circuitry to operate as a sounder



1. Coil part - Copper and Iron
2. Diaphragm - Iron
3. PCB
4. Core - Ferrite
5. Base ring - Copper
6. Housing - Noryl

Features

- ROHS compliant
- Black in colour
- Wave solderable, not washable
- Lead pin material: Red copper (DSn)

All data at 25°C unless otherwise specified

Dimensions Unit: mm Tolerance: ±0.5mm



ALAN BUTCHER COMPONENTS LTD

Alan Butcher Components Ltd

Unit 1 Beechwood Clump Farm Industrial Estate Tin Pot Lane Blandford Dorset DT11 7TD

Telephone 01258 456360 Facsimile 01258 459194 Email sales@abcomponents.co.uk

www.abcomponents.co.uk