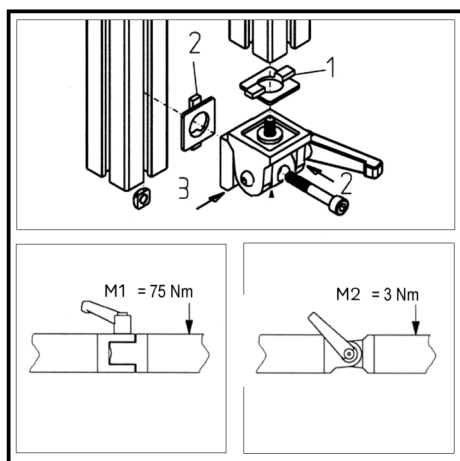


SWIVEL LINK 45 FIXABLE WITH SQUARE NUT M8 AND POSITION-FIXING

Article Nr. 21.2010/7

See the product on the website →



TECHN. DATA / ITEMS SUPPLIED

- Aluminium, Pressure die-casting, powder-coated, grey
- With low-friction sliding bearing
- With fastening material steel, zinc plated
- Anti-rotation device AL GD
- Load F_{max} 1500 N
- Weight = 0.358 kg/piece

APPLICATIONS

- Heavy duty swing doors, storage of moving parts
- Clamping lever for positioning of add-on parts
- Fastening of quick-to-adjust components such as gripping shells, measuring devices
- For heavy loads use multiple hinges

ASSEMBLY

- 1: Joint half with pre-mounted screw to desired position fasten
- 2: Fix with screws included
- 3: Tighten clamping lever