



EN

Datasheet

RS PRO VINYL-INSULATED (MOLDED EASY ENTRY) DIN RING TERMINALS

Stock number: 178-7273

MAXIMUM ELECTRIC CURRENT:

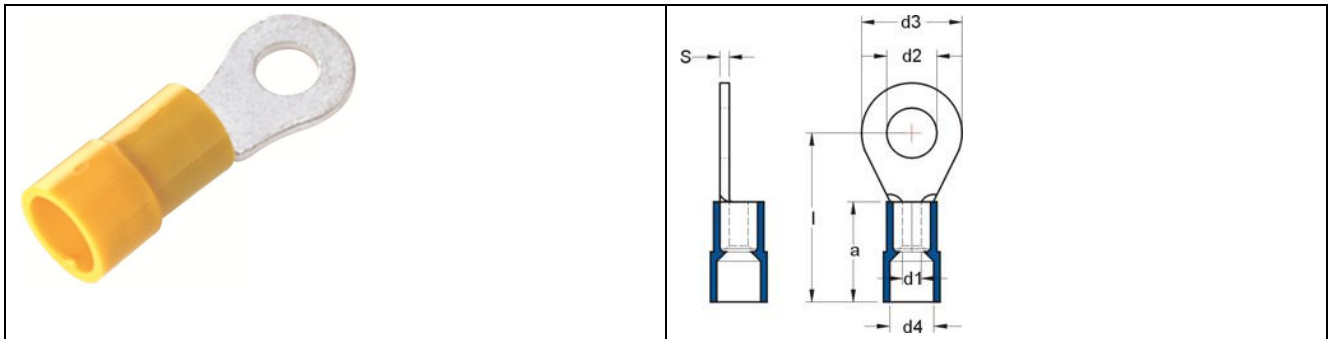
A.W.G.	12	10
AMP.	35	50

MAXIMUM ELECTRICAL RATING: 105° C 600 VOLTS MAX.

INSULATION MATERIAL: VINYL (PVC)

TERMINAL MATERIAL: COPPER

INSULATION COLOR: YELLOW



WIRE RANGE A.W.G. mm ²	ITEM NO.	STUD SIZE d2	DIMENSION (mm)						
			BUTTED SEAM	D3	I	d1	D4	A	S
12-10 A.W.G.	178-7273	#10	5.3	10	22	3.6	6.4	13	1
2.5-6 mm ²									