

# B15 SMALL BAYONET CAP LAMPHOLDERS



Threaded Entry Lampholders				
Cat No.	Thread size	Max Dia.	Max Ht.	
1021E	M10 × 1mm Pitch with Shade Ring	23.2mm	38.7mm	
1022E	M10 × 1mm Pitch Plain (No Shade Ring)	23.2mm	38.7mm	
3021E	3/8" × 26TPI with Shade Ring	23.2mm	38.7mm	
3022E	3/8" × 26TPI Plain (No Shade Ring)	23.2mm	38.7mm	
3023E	1/2" × 26TPI with Shade Ring	23.2mm	38.7mm	
3024E	1/2" × 26TPI Plain (No Shade Ring)	23.2mm	38.7mm	
3029E	1/2" × 26TPI Male Thread with Shade Ring	23.2mm	38.7mm	
3030E	1/2" × 26TPI Male Thread Plain (No Shade Ring)	23.2mm	38.7mm	
Pendant & Open Back Lampholders				
Cat No.	Type	Max Dia.	Max Ht.	
3020E	Pendant Birch Wood Grip with Shade Ring	23.2mm	47.0mm	
3025	Open Back with Shade Ring	23.2mm	30.5mm	
Candle Type Lampholders (without Earth Terminal)				
Cat No.	Thread Size	Max Dia.	Max Ht.	
1018	M10 × 1mm Pitch Threaded Entry	21.0mm	40.0mm	
3018A	1/2" × 26TPI Threaded Entry	21.0mm	40.0mm	
Batten Fixing Lampholders				
Cat No.	Fixing	Fixing Centre	Max Dia.	Max Ht.
3027E	3 Hole with Shade Ring	30mm PCD	38mm	32.2mm
3028E	3 Hole Plain (No Shade Ring)	30mm PCD	38mm	32.2mm
3031	2 Hole with Shade Ring	31mm	36.3mm	34mm
3032	2 Hole Plain (No Shade Ring)	31mm	36.3mm	34mm
PO33	3 Hole Plain (No Shade Ring)	30mm PCD	38mm	32.2mm
Component Parts				
SBC1	Threaded Bayonet Caps	SBC5	Shade Ring	
SBC2	Plain Bayonet Caps	SBC6	Double Contact 'S' Interior	
SBC3	Standard Union Ring	SBC7	Centre Contact Interior	
SBC4	Batten Union Ring			
<p>Suffix 'E' Fitted with earth terminal                      Suffix 'C' Chrome Plated Finish                      Suffix 'N' Nickel Plated Finish                      Suffix 'Z' Bronze Finish</p> <p>Standard packs of twenty</p>				

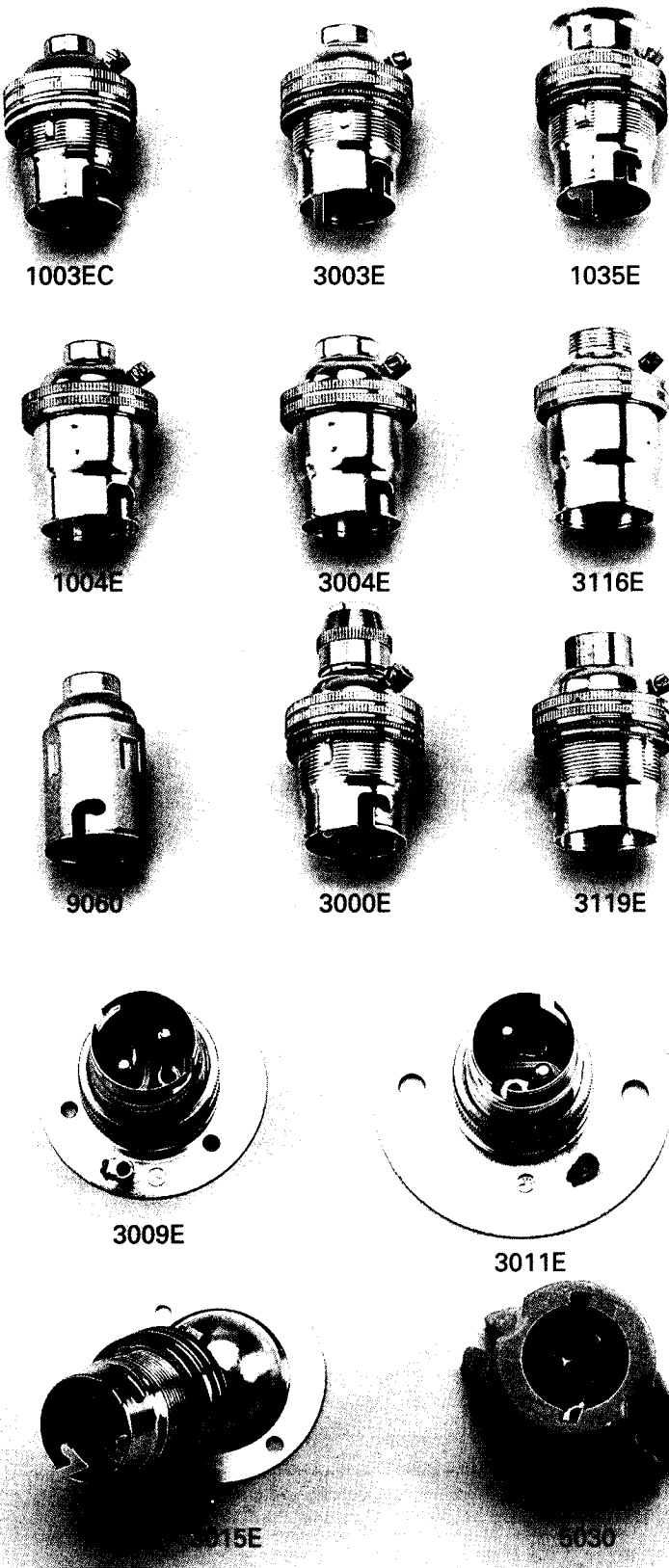
## FLEXIBLE CABLES & WIRING SERVICE



Flex	
9980G	Gold PVC Circular 2183Y 0.5mm 3 core
9981G	Gold PVC Circular 2183Y 0.75mm 3 core
9990W	White PVC Circular 2183Y 0.5mm 3 core
9991W	White PVC Circular 2183Y 0.75mm 3 core
9981B	Black PVC Circular 2183Y 0.75mm 3 core
Flexible cable can be supplied by the roll, or cut to length and ends stripped.	
Accessories	
9313	White 13amp Plug Top fitted 3 amp fuse
9018	Polypropylene plug pin protectors
TAPE	Mains lead wiring instruction tape
Pre-Wired Lampholders	
Lampholders can be supplied pre-wired with colour and length of flex to your requirements. The following are examples of popular configurations.	
1013E20G50	10mm Brass Pushbar Lampholders wired with 2m Gold 2183Y 0.5mm flex
3013E20W50	1/2" Brass Pushbar Lampholder wired with 2m White 2183Y 0.5mm flex
1413E25W75	10mm Brass Safer Switched Lampholder wired with 2.5m White 2183Y 0.75mm flex

Telephone the specialists on 0121 622 2385

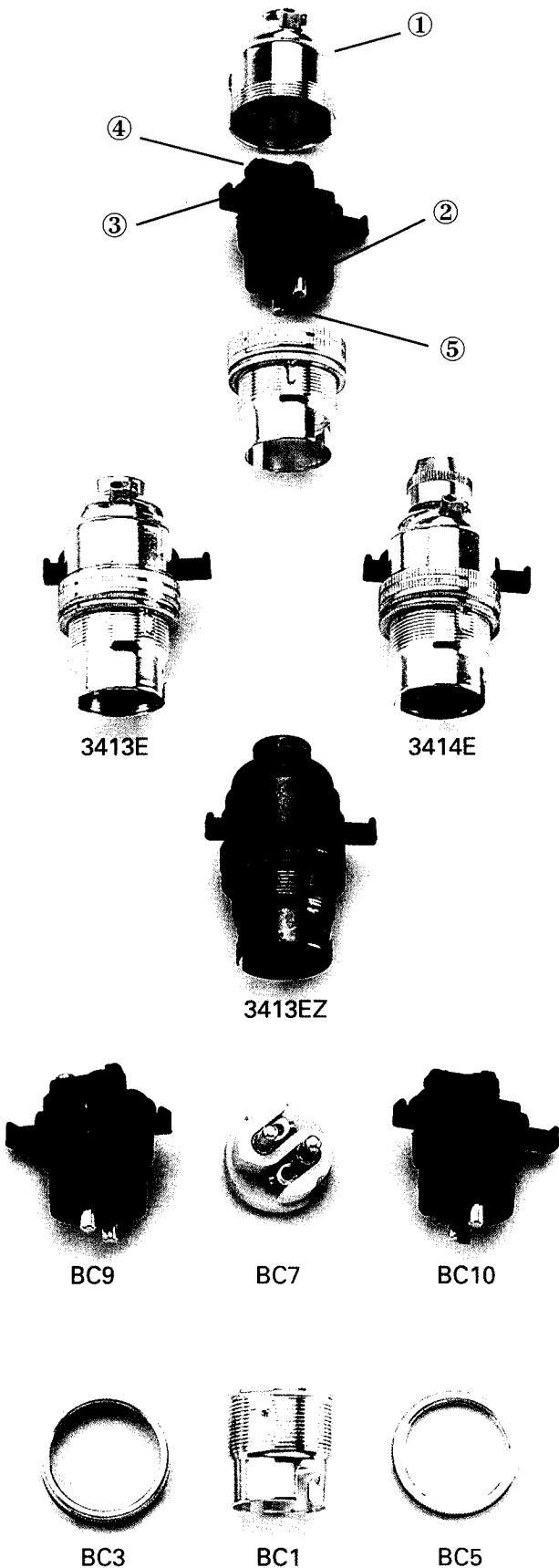
# B22 BAYONET CAP LAMPHOLDERS



Threaded Entry Lampholder with Shade Ring				
Cat No.	Thread size	Max Ht.	Max Dia.	
1003E	M10 × 1mm Pitch Threaded Entry	44.7mm	32mm	
1005E	M13 × 1mm Pitch Threaded Entry	44.7mm	32mm	
1035E	M20 × 1.5mm Pitch Threaded Entry	45.6mm	32mm	
1037E	M16 × 1.5mm Pitch Threaded Entry	45.6mm	32mm	
3001E	3/8" × 26TPI Threaded Entry	44.7mm	32mm	
3003E	1/2" × 26TPI Threaded Entry	44.7mm	32mm	
3005E	5/8" × 26TPI Threaded Entry	44.2mm	32mm	
3035E	3/4" Conduit Threaded Entry	44.2mm	32mm	
3037E	5/8" Conduit Threaded Entry	44.7mm	32mm	
3117E	5/8" × 26TPI External Thread	45mm	32mm	
Threaded Entry Lampholder Plain (without Shade Ring)				
Cat No.	Thread size	Max Ht.	Max Dia.	
1004E	M10 × 1mm Pitch Threaded Entry	44.7mm	32mm	
1006E	M13 × 1mm Pitch Threaded Entry	44.7mm	32mm	
1036E	M20 × 1.5mm Pitch Threaded Entry	45.6mm	32mm	
1038E	M16 × 1.5mm Pitch Threaded Entry	45.6mm	32mm	
3002E	3/8" × 26TPI Threaded Entry	44.7mm	32mm	
3004E	1/2" × 26TPI Threaded Entry	44.7mm	32mm	
3006E	5/8" × 16TPI Threaded Entry	44.2mm	32mm	
3036E	3/4" Conduit Threaded Entry	45.6mm	32mm	
3038E	5/8" Conduit Threaded Entry	45.6mm	32mm	
3116E	5/8" × 26TPI External Thread	45mm	32mm	
Two Piece Candle Lampholder				
Cat No.	Thread size	Max Ht.	Max Dia.	
9060	10mm × 1mm Pitch Thread Entry	41.6mm	24.2mm	
9060E	10mm × 1mm Pitch Thread Entry Earth	41.6mm	24.2mm	
Internal Locking Lampholder with Shade Ring				
Cat No.	Thread size	Max Ht.	Max Dia.	
1117E	M10 × 1mm Pitch Threaded Entry	48mm	32mm	
1119E	M13 × 1mm Pitch Threaded Entry	48mm	32mm	
3119E	1/2" × 26TPI Threaded Entry	48mm	32mm	
Internal Locking Lampholder Plain (without Shade Ring)				
Cat No.	Thread size	Max Ht.	Max Dia.	
1118E	M10 × 1mm Pitch Threaded Entry	48mm	32mm	
1120E	M13 × 1mm Pitch Threaded Entry	48mm	32mm	
3118E	1/2" × 26TPI Threaded Entry	48mm	32mm	
Pendant Lampholder with Shade Ring				
Cat No.	Pendant	Max Ht.	Max Dia.	
3000E	Birch Wood Cord Grip	58mm	32mm	
Open Back & Sign Type Lampholders				
Cat No.	Entry Type	Max Ht.	Max Dia.	
3007	Open Back with Shade Ring – No Earth	35mm	32mm	
3120E	Sign Type Plain without Shade Ring	40.5mm	32mm	
3121E	Sign Type with Shade Ring	40.5mm	32mm	
Batten Lampholder with Shade Ring				
Cat No.	Fixing Centres		Max Ht.	Max Dia.
3009E	32mm	3 Hole Fixing	38.2mm	51.7mm
3011E	50mm	2 Hole Fixing	39.0mm	68.6mm
3015E	48mm	2 Hole Angle	48mm	48mm
3111	51mm	2 Hole Oval	37.5mm	51mm
Batten Lampholder Plain (without Shade Ring)				
Cat No.	Fixing Centres		Max Ht.	Max Dia.
3010E	32mm	3 Hole Fixing	38.2mm	51.7mm
3012E	50mm	2 Hole Fixing	39.0mm	68.6mm
3016E	48mm	2 Hole Angle	48mm	48mm
3110	51mm	2 Hole Oval	37.5mm	51mm
5030	39.5mm	Porcelain 2 Slot	36.5mm	58mm
<b>Suffix 'E'</b> <b>Suffix 'C'</b> <b>Suffix 'Z'</b> <b>Suffix 'N'</b> <b>Suffix '3BS'</b> <b>Prefix 'L'</b>		<b>Fitted with Earth terminal</b> <b>Chrome Plated Finish</b> <b>Bronze Finish</b> <b>Nickel Plated Finish</b> <b>Three slot bayonet caps</b> <b>Locking union ring</b>		
<b>Standard packs of ten or Unassembled — Bulk packs</b>				

Telephone the specialists on 0121 622 2385

# B22 SWITCHED LAMPHOLDERS



## Switched Lampholders

The following safety features are incorporated in all switched lampholders. Thicker case material<sup>①</sup> to give added strength. Extended cap<sup>②</sup> on interior moulding to give additional support and prevent it breaking apart. Switch bars with larger finger pads<sup>③</sup> for operational comfort. Integral cable clamp<sup>④</sup> to ensure flex terminations are relieved from strain.

## The 'Safer-Switch' Enhanced Safety Lampholder

This new product offers the consumer, in addition to the above, a level of safety previously unavailable in this type of lampholder. It has been developed from our existing switch interior, which has always been acknowledged for its quality and dependability. Now a simple and reliable innovation<sup>⑤</sup> ensures that the switch always remains in the off position if a lamp is not fitted. This lampholder represents a major advance in luminaire safety and has been fully certified to the latest BS 7895:1997 Enhanced Safety Lampholder standard. This must be the obvious choice for the safety-conscious.

## Standard packs of ten

### Threaded Entry Safer-Switch Lampholder

Cat No.	Thread size	Max Ht.	Max Dia.
1413E	M10 × 1mm Pitch Threaded Entry	61mm	32mm
1414E	M13 × 1mm Pitch Threaded Entry	61mm	32mm
3413E	1/2" × 26TPI Threaded Entry	61mm	32mm
3414E	Pendant Cord Grip	71.6mm	32mm

### Internal Locking Threaded Entry Safer-Switch Lampholder

Cat No.	Thread size	Max Ht.	Max Dia.
1423E	M10 × 1mm Pitch Threaded Entry	61mm	32mm
1424E	M13 × 1mm Pitch Threaded Entry	61mm	32mm
3423E	1/2" × 26TPI Threaded Entry	61mm	32mm

### Threaded Entry Standard Switched Lampholder

Cat No.	Thread size	Max Ht.	Max Dia.
1013E	M10 × 1mm Pitch Threaded Entry	61mm	32mm
1014E	M13 × 1mm Pitch Threaded Entry	61mm	32mm
3013E	1/2" × 26TPI Threaded Entry	61mm	32mm
3014E	Pendant Cord Grip	71.6mm	32mm

### Internal Locking Threaded Entry Standard Switched Lampholder

Cat No.	Thread size	Max Ht.	Max Dia.
1113E	M10 × 1mm Pitch Threaded Entry	61mm	32mm
1114E	M13 × 1mm Pitch Threaded Entry	61mm	32mm
3113E	1/2" × 26TPI Threaded Entry	61mm	32mm

## Clinch Fixing

Lampholders can be supplied fitted with the 'Clinch Fix' fast assembly nipples. Please ask for details.

## Component Parts

Cat. No.	Description	Cat. No.	Description
BC1	Threaded Bayonet Caps	BC6	Heavy Shade Ring
BC2	Plain Bayonet Caps	BC7	Large Base Interior
BC3	Standard Union Ring	BC8	Small Base Interior
BC4	Heavy Union Ring	BC9	Standard Switch Interior
BC5	Standard Shade Ring	BC10	Safer-Switch Interior

Suffix 'E'	Fitted Earth terminal
Suffix 'C'	Chrome Plated Finish
Suffix 'Z'	Bronze Finish
Suffix 'N'	Nickel Plated Finish
Suffix '3BS'	Three bayonet slot caps
Prefix 'L'	Locking union ring

## Lampholders for Retail Sale

With the withdrawal of BS 5042:1987 in 1996 and the introduction of BS EN 61184:1995, lampholders meeting this new standard and intended for retail sale have different constructional requirements. These requirements are met by using our INTERNAL LOCKING lampholders, both in switched and unswitched patterns.