

D-SUB contact support - VS-25-ST-DSUB-5P-LH



1655441

<https://www.phoenixcontact.com/gb/products/1655441>

Please be informed that the data shown in this PDF document is generated from our Online Catalog. Please find the complete data in the user documentation. Our General Terms of Use for Downloads are valid.

D-SUB contact carrier, shell size 3, accommodation for 5 combined contacts, type of contact pin, fixing with 4-40 UNC thread and solder pins, for panel mounting frame VS-25-...



Your advantages

- Compatible with IP67 sleeve housing and panel-mount frame
- Easy assembly

D-SUB contact support - VS-25-ST-DSUB-5P-LH



1655441

<https://www.phoenixcontact.com/gb/products/1655441>

Commercial Data

Item number	1655441
Packing unit	10 pc
Minimum order quantity	10 pc
Sales Key	ABNADA
Product Key	ABNADA
Catalog Page	Page 214 (C-2-2013)
GTIN	4046356029377
Weight per Piece (including packing)	17.06 g
Weight per Piece (excluding packing)	13.03 g
Customs tariff number	85366990
Country of origin	DE

1655441

<https://www.phoenixcontact.com/gb/products/1655441>

Technical Data

Notes

Order information:	The contacts must be ordered separately since they are not included in the scope of supply of the combi contact inserts.
--------------------	--

Product properties

Type	D-SUB
Product type	Male insert
Number of positions	5
Connection profile	D-SUB
Application	Combination contact insert
Type	Male
Shielded	no

Connection data

Connection technology

Connection method	Fitting to accept combined contact
-------------------	------------------------------------

Material specifications

Flammability rating according to UL 94	V0
Contact material	Copper alloy
Contact surface material	Gold over nickel
Contact carrier material	PBTP
Housing material	Steel, yellow chromated

Connector

Insertion/withdrawal cycles	≥ 500
-----------------------------	-------

Environmental and real-life conditions

Ambient conditions

Degree of protection	IP20
Ambient temperature (operation)	-55 °C ... 125 °C

Mounting

Mounting type	Threads and solder pins
---------------	-------------------------

D-SUB contact support - VS-25-ST-DSUB-5P-LH

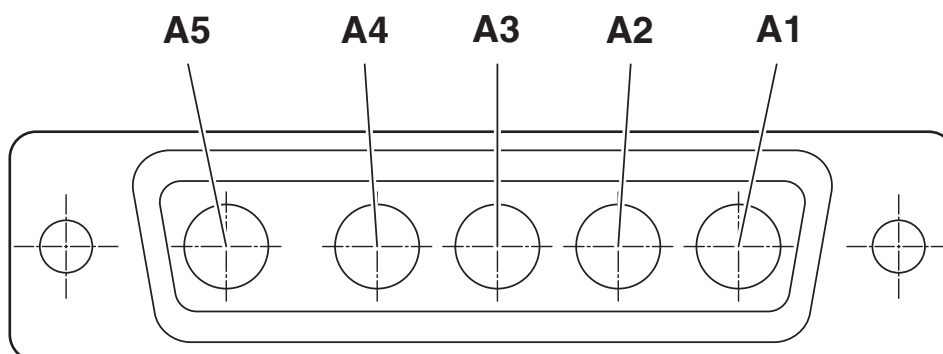


1655441

<https://www.phoenixcontact.com/gb/products/1655441>

Drawings

Schematic diagram

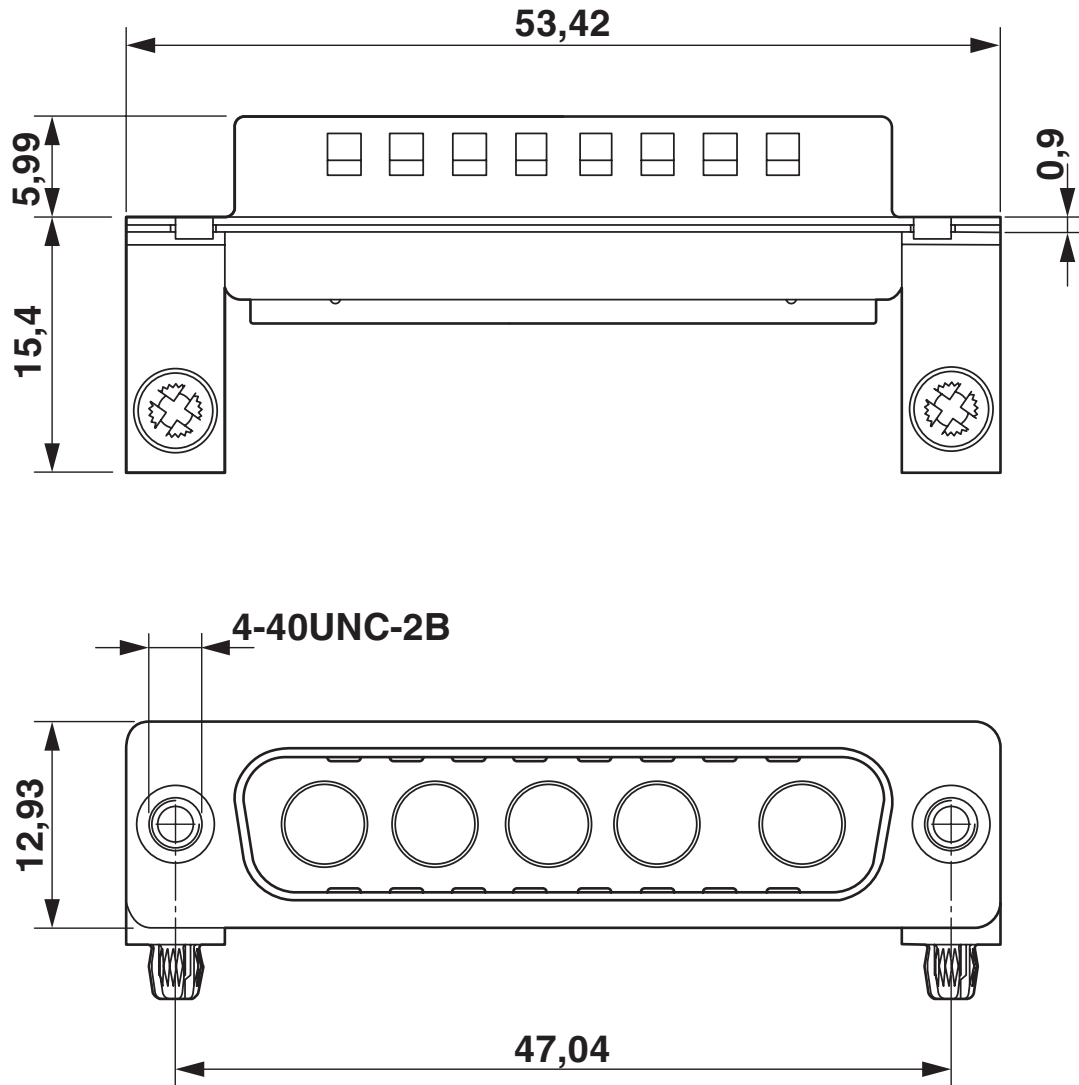


D-SUB contact support - VS-25-ST-DSUB-5P-LH

1655441

<https://www.phoenixcontact.com/gb/products/1655441>

Dimensional drawing



D-SUB contact carrier

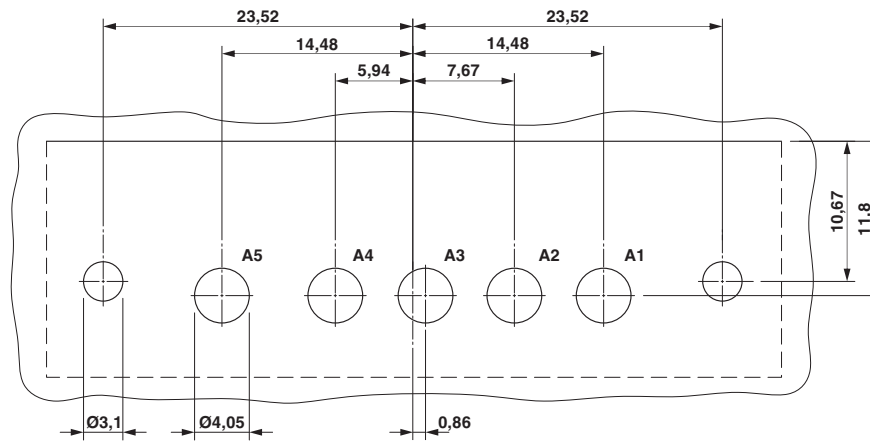
D-SUB contact support - VS-25-ST-DSUB-5P-LH



1655441

<https://www.phoenixcontact.com/gb/products/1655441>

Drilling plan/solder pad geometry



Drilling diagram

D-SUB contact support - VS-25-ST-DSUB-5P-LH



1655441

<https://www.phoenixcontact.com/gb/products/1655441>

Approvals



UL Recognized

Approval ID: FILE E 118976



EAC

Approval ID: B.01687

1655441

<https://www.phoenixcontact.com/gb/products/1655441>

Classifications

ECLASS

ECLASS-9.0	27440205
ECLASS-10.0.1	27440205
ECLASS-11.0	27440223

ETIM

ETIM 8.0	EC003557
----------	----------

UNSPSC

UNSPSC 21.0	39121400
-------------	----------

D-SUB contact support - VS-25-ST-DSUB-5P-LH



1655441

<https://www.phoenixcontact.com/gb/products/1655441>

Environmental Product Compliance

REACH SVHC	Lead 7439-92-1
China RoHS	Environmentally Friendly Use Period = 50 years
	For information on hazardous substances, refer to the manufacturer's declaration available under "Downloads"

D-SUB contact support - VS-25-ST-DSUB-5P-LH

1655441

<https://www.phoenixcontact.com/gb/products/1655441>

Accessories

D-SUB power contact

D-SUB power contact - VS-ST-LH-3,6/18/3,8 - 1655467

<https://www.phoenixcontact.com/gb/products/1655467>



POWER contact, for D-SUB combination inserts, for PCB assembly, pin, angled, rated current 40 A, gold-plated

D-SUB power contact

D-SUB power contact - VS-ST-LK-3,6/22,4/2,6 - 1688243

<https://www.phoenixcontact.com/gb/products/1688243>



Power contacts, for D-SUB combination inserts, pin, solder cup, straight, rated current 20 A, gold-plated

D-SUB contact support - VS-25-ST-DSUB-5P-LH

1655441

<https://www.phoenixcontact.com/gb/products/1655441>

D-SUB power contact

D-SUB power contact - VS-ST-LK-3,6/22,4/4,6 - 1688269

<https://www.phoenixcontact.com/gb/products/1688269>



Power contacts, for D-SUB combination inserts, pin, solder cup, straight, rated current 40 A, gold-plated

D-SUB sleeve housings

D-SUB sleeve housings - CUC-DST-GPME-S/DSSC25 - 1419719

<https://www.phoenixcontact.com/gb/products/1419719>



D-SUB sleeve housings, degree of protection: IP20, material: ABS, metal-plated, cable outlet: straight, housing size: 3, color: Bare metallic

D-SUB contact support - VS-25-ST-DSUB-5P-LH

1655441

<https://www.phoenixcontact.com/gb/products/1655441>

D-SUB sleeve housings

D-SUB sleeve housings - CUC-DST-GPME-A/DSSC25 - 1419721

<https://www.phoenixcontact.com/gb/products/1419721>



D-SUB sleeve housings, degree of protection: IP20, material: ABS, metal-plated, cable outlet: angled, housing size: 3, color: Bare metallic

D-SUB sleeve housings

D-SUB sleeve housings - CUC-DST-GZNI-S/DSSC25 - 1419727

<https://www.phoenixcontact.com/gb/products/1419727>



D-SUB sleeve housings, degree of protection: IP20, material: Zinc die-cast, cable outlet: straight, housing size: 3, color: Bare metallic

D-SUB contact support - VS-25-ST-DSUB-5P-LH

1655441

<https://www.phoenixcontact.com/gb/products/1655441>

D-SUB sleeve housings

D-SUB sleeve housings - CUC-DST-GZNI-A/DSSC25 - 1419728

<https://www.phoenixcontact.com/gb/products/1419728>

D-SUB sleeve housings, degree of protection: IP20, material: Zinc die-cast, cable outlet: angled, housing size: 3, color: Bare metallic



D-SUB panel mounting frames

D-SUB panel mounting frames - VS-25-A - 1689750

<https://www.phoenixcontact.com/gb/products/1689750>

D-SUB panel mounting frame, shell size 3, IP67 degree of protection



D-SUB contact support - VS-25-ST-DSUB-5P-LH

1655441

<https://www.phoenixcontact.com/gb/products/1655441>

D-SUB sleeve housings

D-SUB sleeve housings - VS-25-T-2M20 - 1689792

<https://www.phoenixcontact.com/gb/products/1689792>

D-SUB sleeve housing, shell size 3, IP67 degree of protection



Screw

Screw - CUC-SCHRAUBE-5,5:360 - 1421711

<https://www.phoenixcontact.com/gb/products/1421711>

Screw, type: Hexagonal, color: Bare metallic



D-SUB contact support - VS-25-ST-DSUB-5P-LH



1655441

<https://www.phoenixcontact.com/gb/products/1655441>

D-SUB contact support

D-SUB contact support - VS-25-BU-DSUB-5P-LH - 1655438

<https://www.phoenixcontact.com/gb/products/1655438>

D-SUB contact carrier, shell size 3, accommodation for 5 combined contacts, type of contact socket, fixing with 4-40 UNC thread and solder pins, for panel mounting frame VS-25-...



Phoenix Contact 2022 © - all rights reserved

<https://www.phoenixcontact.com>

PHOENIX CONTACT Ltd

Halesfield 13, Telford

Shropshire, TF7 4PG

01952 681700

info@phoenixcontact.co.uk