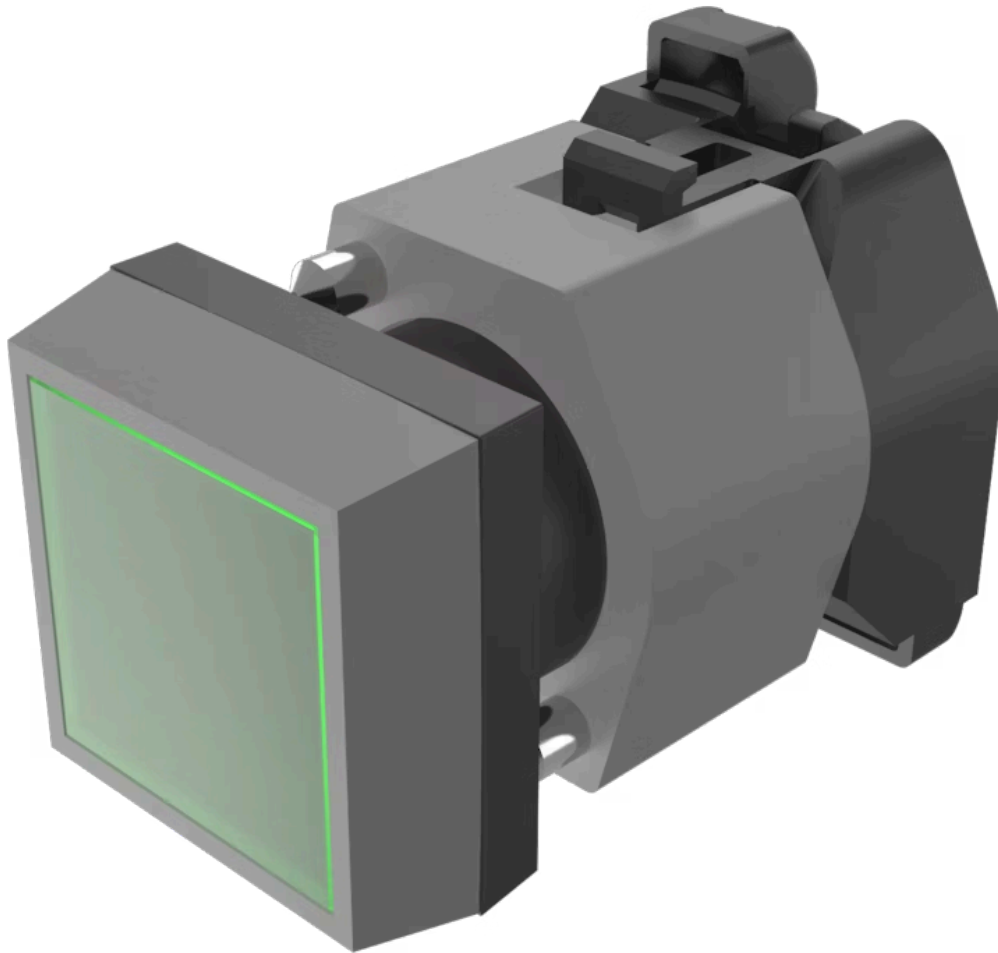


# Actuator

704.203.5

Distribution by  
Rs-online



<https://rs-online.eao.com/p/704.203.5>

Your product:

---



## 704.203.5 Actuator

### FRONT

<b>Front dimension:</b>	30 mm x 30 mm
<b>Front form:</b>	Square
<b>Front bezel colour:</b>	Grey
<b>Front bezel material:</b>	Plastic

### MOUNTING

<b>Design:</b>	Raised
<b>Mounting type:</b>	Panel mounting

### OPERATING-/INDICATION PART

<b>Lens colour:</b>	Green
<b>Lens material:</b>	Plastic
<b>Lens shape:</b>	Flush
<b>Lens optics:</b>	transparent
<b>Marking plate colour:</b>	Colourless
<b>Marking plate optics:</b>	transparent
<b>Marking plate illumination:</b>	illuminative

### ELECTRICAL CHARACTERISTICS

<b>Standards:</b>	The switches comply with the "Standards for low-voltage switching devices" DIN EN 60947-1
-------------------	---

### MECHANICAL CHARACTERISTIC

**Terminal:** Screw terminal

**Weight:** 0.05 kg

### AMBIENT CONDITION

**IP Protection:** IP65 front side

**Operating temperature:** - 40 °C ... + 55 °C

**Storage temperature:** - 40 °C ... + 85 °C

### CERTIFICATE

**REACH:** REACH compliant

**RoHS:** RoHS compliant

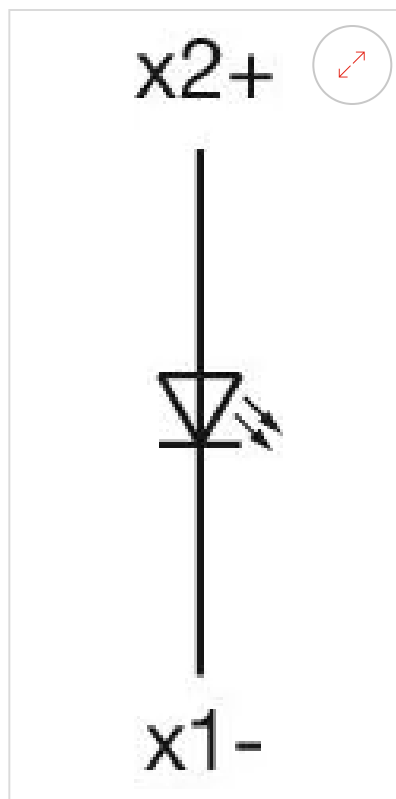
### OTHER

**Short Description:** Actuator, 30 mm x 30 mm, Flush, Green, Plastic, transparent, Square, Grey, Plastic, Screw terminal

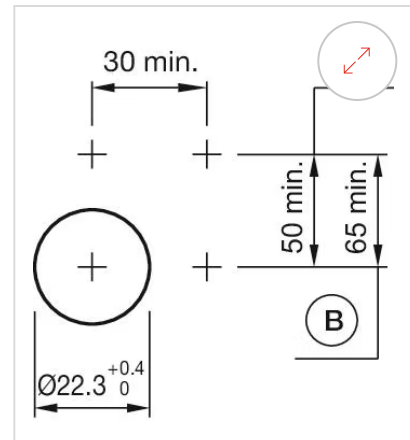
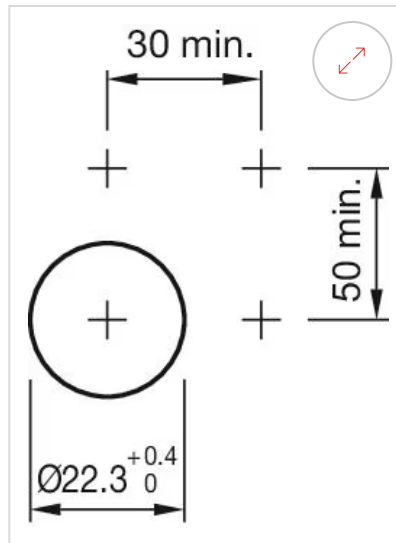
**Housing colour:** Black

**Housing material:** Plastic

**Wiring diagrams:**

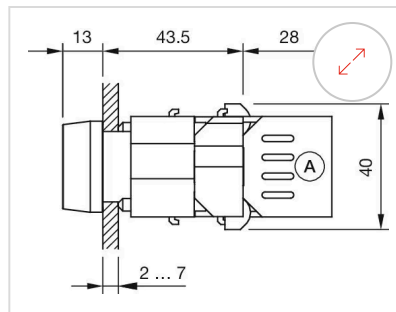


**Mounting cut-outs:**



A = Screw terminal  
B = Push-in terminal (PIT)

**Dimension drawings:**



A = Screw terminal

