

## DECOSTAR 51S 35 W 12 V 36° GU5.3

---

DECOSTAR 51S Standard | Halogen dichroic reflector lamps with 51 mm diameter and glass panel



---

### Areas of application

---

- General illumination
- Entrance lighting
- Workplace lighting
- Kitchen lighting
- Mirror lighting
- Object lighting

---

### Product benefits

---

- Brilliant accent light
- Dichroic reflector reduces the heat in the light beam by up to 66 %
- Approved for use in open luminaires (to IEC 60598-1)
- UV filter
- Contains no mercury

---

### Product features

---

- Average life: 2,000 h
- Dimmable
- Color rendering index  $R_a$ : 100

---

## Technical data

---

### Electrical data

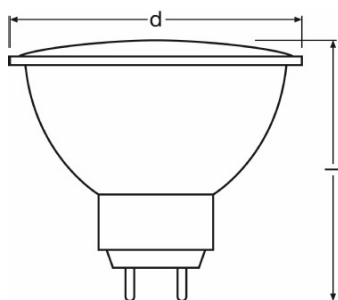
Nominal wattage	35 W
Nominal voltage	12 V
Rated wattage	35 W
Power factor $\lambda$	1.00
Energy consumption	38 kWh/1000h

### Light technical data

Nominal useful luminous flux 90°	430 lm
Luminous intensity	1000 cd
Beam angle	36 °
Color temperature	2900 K
Color rendering index Ra	100
Starting time	0.0 s
Warm-up time (60 %)	0.00 s
Lumen main.fact.at end of nom.life time	0.75
Rated useful luminous flux 90°	430 lm

### Dimensions & weight

---



Product line drawing

Diameter	51.0 mm
Length	46.0 mm
Overall length	46.0 mm
Outer bulb	MR51
Maximum diameter	51.0 mm

# Product datasheet

## Colors & materials

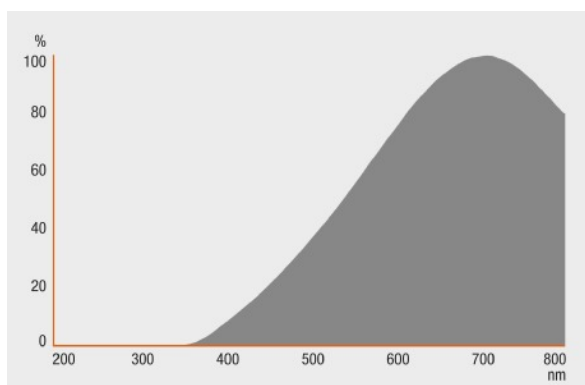
Lamp mercury content	0.0 mg
Mercury-free	Yes

## Lifespan

Nominal lamp life time	3000 h
Rated lamp life time	3000 h
Number of switching cycles	50000 <sup>1)</sup>

<sup>1)</sup> At 1 min on / 3 min off

## Additional product data



## Spectral power distribution

Base (standard designation)	GU5.3
-----------------------------	-------

## Capabilities

Burning position	Any
Dimmable	Yes

## Certificates & standards

Energy efficiency class	B
-------------------------	---

## Product datasheet

### Country specific categorizations

<b>ILCOS</b>	HRGS//UB-35-12-GU5,3-51/36
<b>Order reference</b>	44865 WFL

### Country specific information

<b>Product code</b>	<b>METEL code</b>	<b>SEG number</b>	<b>STK number</b>	<b>UK Org</b>
4050300272634	OSRH44865WFL	8327014	4739572	-

## Product datasheet

---

### Logistical Data

---

Product code	Product description	Packaging unit (Pieces/Unit)	Dimensions (height x width x length)	Volume	Gross weight
4050300272634	DECOSTAR 51S 35 W 12 V 36° GU5.3	Folding carton box 1	46 mm x 46 mm x 58 mm	0.12 dm <sup>3</sup>	39.01 g
4050300531533	DECOSTAR 51S 35 W 12 V 36° GU5.3	Shipping carton box 20	148 mm x 123 mm x 201 mm	3.66 dm <sup>3</sup>	856.12 g

---

The mentioned product code describes the smallest quantity unit which can be ordered. One shipping unit can contain one or more single products. When placing an order, for the quantity please enter single or multiples of a shipping unit.

---

### References / Links

---

For light distribution curves see

▶ [www.osram.com](http://www.osram.com)

---

### Disclaimer

---

Subject to change without notice. Errors and omission excepted. Always make sure to use the most recent release.