

# Bourdon tube pressure gauge, stainless steel

## For the process industry, standard version

### Models 232.50, 233.50, NS 63 [2 ½"], 100 [4"] and 160 [6"]

WIKA data sheet PM 02.02



for further approvals  
see page 5

#### Applications

- For gaseous and liquid aggressive media that are not highly viscous or crystallising, also in aggressive environments
- Chemical and petrochemical industries, oil and gas industry, power engineering and also water and wastewater technology
- Machine building and general plant construction

#### Special features

- Excellent load-cycle stability and shock resistance
- With case filling (model 233.50) for applications with high dynamic pressure loads and vibrations
- Completely from stainless steel
- Scale ranges from 0 ... 0.6 to 0 ... 1,600 bar [0 ... 10 to 0 ... 20,000 psi]



**Bourdon tube pressure gauge, model 232.50,  
NS 100 [4"]**

#### Description

This high-quality Bourdon tube pressure gauge has been designed especially for the process industry.

The use of high-quality stainless steel materials and the robust design are geared to applications in the chemical and process engineering industries. Thus the instrument is suitable for liquid and gaseous media, also in aggressive environments.

Scale ranges of 0 ... 0.6 to 0 ... 1,600 bar [0 ... 10 to 0 ... 20,000 psi] ensure the measuring ranges required for a wide variety of applications.

WIKA manufactures and qualifies the pressure gauge in accordance with the standards EN 837-1 and ASME B40.100. This instrument has as safety function a blow-out device with blow-out plug on the back of the case. In the event of a failure, overpressure can escape there.

The model 233.50 with liquid-filled case is suitable for high dynamic pressure loads and vibrations.

## Specifications

Basic information	
<b>Standard</b>	<ul style="list-style-type: none"> <li>■ EN 837-1</li> <li>■ ASME B40.100</li> </ul> <p>For information on the "Selection, installation, handling and operation of pressure gauges", see Technical information IN 00.05.</p>
<b>Nominal size (NS)</b>	<ul style="list-style-type: none"> <li>■ Ø 63 mm [2 ½"]</li> <li>■ Ø 100 mm [4"]</li> <li>■ Ø 160 mm [6"]</li> </ul>
<b>Window</b>	Laminated safety glass (NS 63 [2 ½"]: Polycarbonate)
<b>Case</b>	
Design	<p>Safety level "S1" per EN 837-1</p> <p>With blow-out device at case circumference, 12 o'clock (NS 63 [2 ½"]) and on the back of the case (NS 100 [4"] and 160 [6"])</p> <p>Scale ranges ≤ 0 ... 16 bar [≤ 0 ... 300 psi] with compensating valve to vent and reseal case</p>
Material	<ul style="list-style-type: none"> <li>■ Stainless steel 1.4301 (304)</li> <li>■ Stainless steel 1.4571 (316 Ti)</li> </ul>
<b>Ring</b>	Bayonet ring, stainless steel
<b>Mounting</b>	<ul style="list-style-type: none"> <li>■ Without</li> <li>■ Panel mounting flange, stainless steel</li> <li>■ Panel mounting flange, polished stainless steel</li> <li>■ Triangular profile ring, stainless steel polished with mounting bracket</li> <li>■ Surface mounting flange, stainless steel</li> </ul>
<b>Case filling (model 233.50)</b>	<ul style="list-style-type: none"> <li>■ Without</li> <li>■ Glycerine</li> <li>■ Glycerine-water mixture for NS 100 [4"] and 160 [6"] with scale range ≤ 0 ... 2.5 bar [≤ 0 ... 40 psi] or for NS 63 [2 ½"] with scale range ≤ 0 ... 4 bar [≤ 0 ... 60 psi]</li> <li>■ Silicone oil</li> </ul>
<b>Movement</b>	<ul style="list-style-type: none"> <li>■ Stainless steel</li> <li>■ everlast® design</li> </ul>

Measuring element	
<b>Type of measuring element</b>	Bourdon tube, C-type or helical type
<b>Material</b>	<ul style="list-style-type: none"> <li>■ Stainless steel 1.4404 (316L)</li> <li>■ Monel (models 262.50 and 263.50)</li> </ul>
<b>Leak tightness</b>	<ul style="list-style-type: none"> <li>■ Helium tested, leakage rate: &lt; 5 · 10<sup>-3</sup> mbar l/s</li> <li>■ Helium tested, leakage rate: &lt; 1 · 10<sup>-6</sup> mbar l/s</li> </ul>

Accuracy specifications		
<b>Accuracy class</b>		
NS 63 [2 ½"]	■ EN 837-1	Class 1.6
	■ ASME B40.100	±2 ½ % of measuring span (grade A)
NS 100 [4"], 160 [6"]	■ EN 837-1	Class 1,0
	■ ASME B40.100	±1.0 % of measuring span (grade 1A)
<b>Temperature error</b>	On deviation from the reference conditions at the measuring system: ≤ ±0.4 % per 10 °C [≤ ±0.4 % per 18 °F] of full scale value	
<b>Reference conditions</b>		
Ambient temperature	+20 °C [68 °F]	

## Scale ranges

Scale range	
bar	kg/cm <sup>2</sup>
0 ... 0.6 <sup>1)</sup>	0 ... 0.6 <sup>1)</sup>
0 ... 1	0 ... 1
0 ... 1.6	0 ... 1.6
0 ... 2.5	0 ... 2.5
0 ... 4	0 ... 4
0 ... 6	0 ... 6
0 ... 10	0 ... 10
0 ... 16	0 ... 16
0 ... 25	0 ... 25
0 ... 40	0 ... 40
0 ... 60	0 ... 60
0 ... 100	0 ... 100
0 ... 160	0 ... 160
0 ... 250	0 ... 250
0 ... 400	0 ... 400
0 ... 600	0 ... 600
0 ... 1,000	0 ... 1,000
0 ... 1,600	0 ... 1,600
kPa	MPa
0 ... 60 <sup>1)</sup>	0 ... 0.06 <sup>1)</sup>
0 ... 100	0 ... 0.1
0 ... 160	0 ... 0.16
0 ... 250	0 ... 0.25
0 ... 400	0 ... 0.4
0 ... 600	0 ... 0.6
0 ... 1,000	0 ... 1
0 ... 1,600	0 ... 1.6
0 ... 250	0 ... 2.5
0 ... 400	0 ... 4
0 ... 600	0 ... 6
0 ... 1,000	0 ... 10
0 ... 1,600	0 ... 16
0 ... 2,500	0 ... 25
0 ... 4,000	0 ... 40
0 ... 6,000	0 ... 60
0 ... 10,000	0 ... 100
0 ... 16,000	0 ... 160

1) Not available for NS 63 [2 ½"]

Scale range	
psi	psi
0 ... 10 <sup>1)</sup>	0 ... 1,000
0 ... 15	0 ... 1,500
0 ... 30	0 ... 2,000
0 ... 60	0 ... 3,000
0 ... 100	0 ... 4,000
0 ... 160	0 ... 5,000
0 ... 200	0 ... 6,000
0 ... 300	0 ... 7,500
0 ... 400	0 ... 10,000
0 ... 600	0 ... 20,000
0 ... 800	

## Vacuum and +/- scale ranges

Scale range	
bar	MPa
-0.6 ... 0 <sup>1)</sup>	-0.06 ... 0 <sup>1)</sup>
-1 ... 0	-0.1 ... 0
-1 ... +0.6	-0.1 ... +0.06
-1 ... +1.5	-0.1 ... +0.15
-1 ... +3	-0.1 ... +0.3
-1 ... +5	-0.1 ... +0.5
-1 ... +9	-0.1 ... +0.9
-1 ... +15	-0.1 ... +1.5
-1 ... +24	-0.1 ... +2.4
kPa	psi
-60 ... 0 <sup>1)</sup>	-30 inHg ... 0
-100 ... 0	-30 inHg ... +15
-100 ... +60	-30 inHg ... +30
-100 ... +150	-30 inHg ... +60
-100 ... +300	-30 inHg ... +100
-100 ... +500	-30 inHg ... +160
-100 ... +900	-30 inHg ... +200
-100 ... +1,500	-30 inHg ... +300
-100 ... +2,400	

## Further information on: Scale ranges

### Special scale ranges

#### Unit

### Other scale ranges on request

- bar
- psi
- kg/cm<sup>2</sup>
- kPa
- MPa

Further information on: Scale ranges	
<b>Increased overload safety</b>	<ul style="list-style-type: none"> <li>■ Without</li> <li>■ 2 times</li> <li>■ 3 times</li> <li>■ 4 times</li> <li>■ 5 times</li> </ul> <p>The possibility of selection depends on scale range and nominal size</p>
<b>Vacuum resistance</b>	<ul style="list-style-type: none"> <li>■ Without</li> <li>■ Vacuum-proof to -1 bar</li> </ul>
<b>Dial</b>	
Scale colour	Black
Material	Aluminium
Special scale	<ul style="list-style-type: none"> <li>■ Without</li> <li>■ With temperature scale for refrigerant, e.g. for NH3: R 717</li> </ul> <p>Other scales or customer-specific dials, e.g. with red mark, circular arcs or circular sectors, on request</p>
<b>Pointer</b>	
Instrument pointer	Aluminium, black
Mark pointer/drag pointer	<ul style="list-style-type: none"> <li>■ Without</li> <li>■ Red mark pointer on dial, fixed</li> <li>■ Red mark pointer on window, adjustable</li> <li>■ Mark pointer on bayonet ring, adjustable</li> <li>■ Red drag pointer on window, adjustable</li> </ul>
<b>Pointer stop pin</b>	<ul style="list-style-type: none"> <li>■ Without</li> <li>■ At the zero point (only for NS 63 [2 ½"])</li> <li>■ At 6 o'clock (only for NS 100 [4"], 160 [6"])</li> </ul>

Process connections	
<b>Standard</b>	<ul style="list-style-type: none"> <li>■ EN 837-1</li> <li>■ ISO 7</li> <li>■ ANSI/B1.20.1</li> </ul>
<b>Size</b>	
EN 837-1	<ul style="list-style-type: none"> <li>■ G ⅛ B, male thread</li> <li>■ G ¼ B, male thread</li> <li>■ G ½ B, male thread</li> <li>■ M12 x 1.5, male thread</li> <li>■ M20 x 1.5, male thread</li> </ul>
ISO 7	<ul style="list-style-type: none"> <li>■ R ¼, male thread</li> <li>■ R ½, male thread</li> </ul>
ANSI/B1.20.1	<ul style="list-style-type: none"> <li>■ ¼ NPT, male thread</li> <li>■ ½ NPT, male thread</li> </ul>
<b>Restrictor</b>	<ul style="list-style-type: none"> <li>■ Without</li> <li>■ Ø 0,6 mm [0,024"], stainless steel</li> <li>■ Ø 0,3 mm [0,012"], stainless steel</li> </ul>
<b>Materials (wetted)</b>	
Process connection	<ul style="list-style-type: none"> <li>■ NS 100 [4"], 160 [6"]: Stainless steel 1.4404 (316L)</li> <li>■ NS 63 [2 ½"]: Stainless steel 1.4571 (316 Ti)</li> <li>■ Monel (models 262.50 and 263.50)</li> </ul>
Bourdon tube	<ul style="list-style-type: none"> <li>■ Stainless steel 1.4404 (316L)</li> <li>■ Monel (models 262.50 and 263.50)</li> </ul>

Other process connections on request










<b>Operating conditions</b>		
<b>Medium temperature</b>		
Unfilled instruments	-40 ... +200 °C [-40 ... +392 °F]	
Instruments with glycerine filling	-20 ... +100 °C [-4 ... +212 °F]	
Instruments with silicone oil filling	-40 ... +100 °C [-40 ... +212 °F]	
<b>Ambient temperature</b>		
Unfilled instruments or with silicone oil filling	-40 ... +60 °C [-40 ... +140 °F]	
Instruments with glycerine filling	-20 ... +60 °C [-4 ... +140 °F]	
<b>Pressure limitation</b>		
NS 63 [2 ½"]	Steady	3/4 x full scale value
	Fluctuating	2/3 x full scale value
	Short time	Full scale value
NS 100 [4"], 160 [6"]	Steady	Full scale value
	Fluctuating	0.9 x full scale value
	Short time	1.3 x full scale value
<b>Ingress protection per IEC/EN 60529</b>	<ul style="list-style-type: none"> <li>■ IP65</li> <li>■ IP66 (only selectable for scale ranges from 0 ... 20 bar [ 0 ... 400 psi])</li> </ul>	

## Approvals

### Approvals included in the scope of delivery

Logo	Description	Country
	<b>EU declaration of conformity</b> Pressure equipment directive PS > 200 bar, module A, pressure accessory	European Union
-	<b>CRN</b> Safety (e.g. electr. safety, overpressure, ...) For scale ranges ≤ 1,000 bar	Canada

### Optional approvals

Logo	Description	Country
 	<b>EU declaration of conformity</b> ATEX directive Hazardous areas - Ex h Gas II 2G Ex h IIC T6 ... T1 Gb X Dust II 2D Ex h IIIC T85°C ... T450°C Db X	European Union
	<b>EAC</b> Hazardous areas	Eurasian Economic Community
	<b>GOST</b> Metrology, measurement technology	Russia
	<b>KazInMetr</b> Metrology, measurement technology	Kazakhstan
-	<b>MTSCHS</b> Permission for commissioning	Kazakhstan
	<b>BelGIM</b> Metrology, measurement technology	Belarus
	<b>UkrSEPRO</b> Metrology, measurement technology	Ukraine
	<b>Uzstandard</b> Metrology, measurement technology	Uzbekistan
-	<b>CPA</b> Metrology, measurement technology	China
	<b>DNV GL</b> Ships, shipbuilding (e.g. offshore)	International

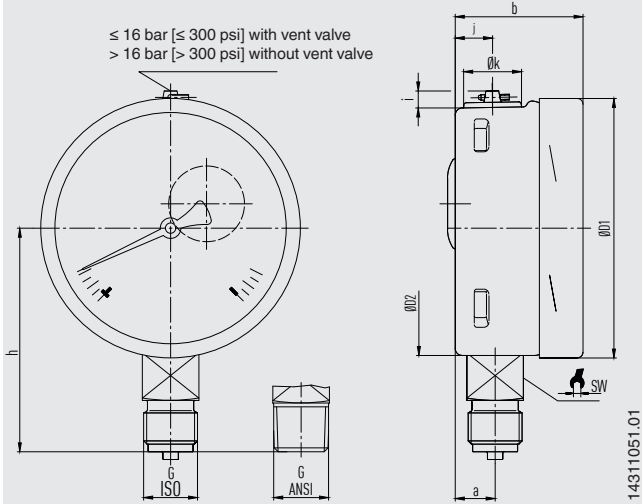
## Certificates (option)

Certificates	
<b>Certificates</b>	<ul style="list-style-type: none"> <li>■ 2.2 test report per EN 10204 (e.g. state-of-the-art manufacturing, indication accuracy)</li> <li>■ 3.1 inspection certificate per EN 10204 (e.g. material proof for wetted metal parts, indication accuracy)</li> <li>■ PCA calibration certificate with international recognition, traceable and accredited in accordance with ISO/IEC 17025</li> <li>■ Calibration certificate by the local accreditation body (e.g. DAkKS), traceable and accredited in accordance with ISO/IEC 17025</li> </ul>
<b>Recommended recalibration interval</b>	1 year (dependent on conditions of use)

→ Approvals and certificates, see website

## Dimensions in mm [in]

### Lower mount (radial)



NS	Weight	
	Model 232.50	Model 233.50
63 [2 ½"]	approx. 0.16 kg [0.35 lbs]	approx. 0.20 kg [0.44 lbs]
100 [4"]	approx. 0.6 kg [1.32 lbs]	approx. 0.9 kg [1.98 lbs]
160 [6"]	approx. 1.1 kg [2.43 lbs]	approx. 2.0 kg [4.41 lbs]

### Process connection with thread per EN 837-1

NS	G	Dimensions in mm [in]								
		h ±1	a	b	D1	D2	i	y	k	SW
63 [2 ½"]	G ¼ B	54 [2.13]	9.5 [0.37]	33 [1.30]	63 [2.48]	62 [2.44]	6 [0.24]	10 [0.39]	15 [0.59]	14 [0.55]
	G ⅝ B	51 [2.01]								
	M12 x 1.5	54 [2.13]								
100 [4"]	G ¼ B	80 [3.15]	15.5 [0.61]	49.5 [1.95]	101 [3.98]	99 [3.90]	6.5 [0.26]	14.5 [0.57]	22.5 [0.89]	22 [0.87]
	G ½ B	87 [3.43]								
	M12 x 1.5	80 [3.15]								
	M20 x 1.5	87 [3.43]								
160 [6"]	G ¼ B	111 [4.37]	15.5 [0.61]	49.5 [1.95] <sup>1)</sup>	161 [6.34]	159 [6.26]	6.5 [0.26]	14.5 [0.57]	22.5 [0.89]	22 [0.87]
	G ½ B	118 [4.65]								
	M12 x 1.5	111 [4.37]								
	M20 x 1.5	118 [4.65]								

### Process connection with thread per ISO 7

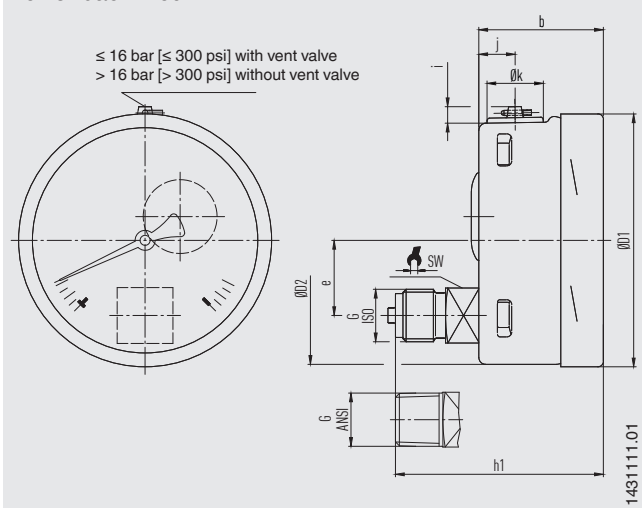
NS	G	Dimensions in mm [in]								
		h ±1	a	b	D1	D2	i	y	k	SW
63 [2 ½"]	R ¼	54 [2.13]	9.5 [0.37]	33 [1.30]	63 [2.48]	62 [2.44]	6 [0.24]	10 [0.39]	15 [0.59]	14 [0.55]
100 [4"]	R ¼	80 [3.15]	15.5 [0.61]	49.5 [1.95]	101 [3.98]	99 [3.90]	6.5 [0.26]	14.5 [0.57]	22.5 [0.89]	22 [0.87]
	R ½	86 [3.39]								
160 [6"]	R ¼	111 [4.37]	15.5 [0.61]	49.5 [1.95] <sup>1)</sup>	161 [6.34]	159 [6.26]	6.5 [0.26]	14.5 [0.57]	22.5 [0.89]	22 [0.87]
	R ½	117 [4.60]								

### Process connection with thread per ANSI/B1.20.1

NS	G	Dimensions in mm [in]								
		h ±1	a	b	D1	D2	i	y	k	SW
63 [2 ½"]	¼ NPT	54 [2.13]	9.5 [0.37]	33 [1.30]	63 [2.48]	62 [2.44]	6 [0.24]	10 [0.39]	15 [0.59]	14 [0.55]
	⅝ NPT	51 [2.01]								
100 [4"]	¼ NPT	80 [3.15]	15.5 [0.61]	49.5 [1.95]	101 [3.98]	99 [3.90]	6.5 [0.26]	14.5 [0.57]	22.5 [0.89]	22 [0.87]
	½ NPT	86 [3.39]								
160 [6"]	¼ NPT	111 [4.37]	15.5 [0.61]	49.5 [1.95] <sup>1)</sup>	161 [6.34]	159 [6.26]	6.5 [0.26]	14.5 [0.57]	22.5 [0.89]	22 [0.87]
	½ NPT	117 [4.60]								

1) Plus 16 mm [0.630 in] with scale range 0 ... 1,600 bar [0 ... 20,000 psi]

### Lower back mount



NS	Weight	
	Model 232.50	Model 233.50
63 [2 ½"]	approx. 0.16 kg [0.35 lbs]	approx. 0.20 kg [0.44 lbs]
100 [4"]	approx. 0.6 kg [1.32 lbs]	approx. 0.9 kg [1.98 lbs]
160 [6"]	approx. 1.1 kg [2.43 lbs]	approx. 2.0 kg [4.41 lbs]

### Process connection with thread per EN 837-1

NS	G	Dimensions in mm [in]								
		h ±1	b	D1	D2	e	i	y	k	SW
63 [2 ½"]	G ¼ B	57 [2.24]	33 [1.30]	63 [2.48]	62 [2.44]	18.5 [0.73]	6 [0.24]	10 [0.39]	15 [0.59]	14 [0.55]
	G ⅝ B	54 [2.13]								
	M12 x 1.5	57 [2.24]								
100 [4"]	G ¼ B	76 [2.99]	49.5 [1.95]	101 [3.98]	99 [3.90]	30 [1.18]	6.5 [0.26]	14.5 [0.57]	22.5 [0.89]	22 [0.87]
	G ½ B	83 [3.27]								
	M12 x 1.5	76 [2.99]								
	M20 x 1.5	83 [3.27]								
160 [6"]	G ¼ B	76 [2.99] <sup>2)</sup>	49.5 [1.95] <sup>1)</sup>	161 [6.34]	159 [6.26]	50 [1.97]	6.5 [0.26]	14.5 [0.57]	22.5 [0.89]	22 [0.87]
	G ½ B	83 [3.27] <sup>2)</sup>								
	M12 x 1.5	76 [2.99] <sup>2)</sup>								
	M20 x 1.5	83 [3.27] <sup>2)</sup>								

### Process connection with thread per ISO 7

NS	G	Dimensions in mm [in]								
		h ±1	b	D1	D2	e	i	y	k	SW
63 [2 ½"]	R ¼	57 [2.24]	33 [1.30]	63 [2.48]	62 [2.44]	18.5 [0.73]	6 [0.24]	10 [0.39]	15 [0.59]	14 [0.55]
100 [4"]	R ¼	76 [2.99]	49.5 [1.95]	101 [3.98]	99 [3.90]	30 [1.181]	6.5 [0.26]	14.5 [0.57]	22.5 [0.89]	22 [0.87]
	R ½	82 [3.23]								
160 [6"]	R ¼	76 [2.99] <sup>2)</sup>	49.5 [1.95] <sup>1)</sup>	161 [6.34]	159 [6.26]	50 [1.97]	6.5 [0.26]	14.5 [0.57]	22.5 [0.89]	22 [0.87]
	R ½	82 [3.23] <sup>2)</sup>								

### Process connection with thread per ANSI/B1.20.1

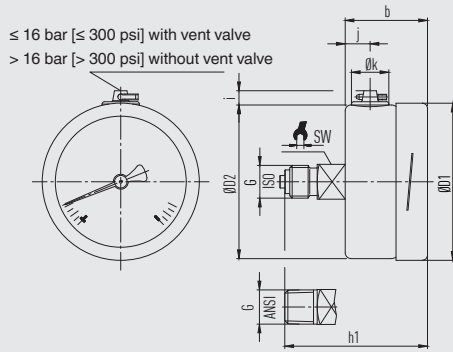
NS	G	Dimensions in mm [in]								
		h ±1	b	D1	D2	e	i	y	k	SW
63 [2 ½"]	¼ NPT	54 [2.13]	33 [1.30]	63 [2.48]	62 [2.44]	50 [1.97]	6 [0.24]	10 [0.39]	15 [0.59]	14 [0.55]
	⅝ NPT	51 [2.01]								
100 [4"]	¼ NPT	80 [3.15]	49.5 [1.95]	101 [3.98]	99 [3.90]	50 [1.97]	6.5 [0.26]	14.5 [0.57]	22.5 [0.89]	22 [0.87]
	½ NPT	86 [3.39]								
160 [6"]	¼ NPT	76 [2.99] <sup>2)</sup>	49.5 [1.95] <sup>1)</sup>	161 [6.34]	159 [6.26]	50 [1.97]	6.5 [0.26]	14.5 [0.57]	22.5 [0.89]	22 [0.87]
	½ NPT	82 [3.23] <sup>2)</sup>								

1) Plus 16 mm [0.630 in] with scale range 0 ... 1,600 bar [0 ... 20,000 psi]

2) Plus 16 mm [0.630 in] with scale ranges ≥ 0 ... 100 bar [≥ 0 ... 1,500 psi]



NS 63 [2 1/2"], centre back mount



14112247.01

NS	Weight	
	Model 232.50	Model 233.50
63 [2 1/2"]	approx. 0.16 kg [0.35 lbs]	approx. 0.20 kg [0.44 lbs]

Process connection with thread per EN 837-1

NS	G	Dimensions in mm [in]							
		h ± 1	b	D1	D2	i	y	k	SW
63 [2 1/2"]	G 1/4 B	57 [2.24]	33 [1.30]	63 [2.48]	62 [2.44]	6 [0.24]	10 [0.39]	15 [0.59]	14 [0.55]
	G 1/8 B	54 [2.13]							
	M12 x 1.5	57 [2.24]							

Process connection with thread per ISO 7

NS	G	Dimensions in mm [in]							
		h ± 1	b	D1	D2	i	y	k	SW
63 [2 1/2"]	R 1/4	57 [2.24]	33 [1.30]	63 [2.48]	62 [2.44]	6 [0.24]	10 [0.39]	15 [0.59]	14 [0.55]

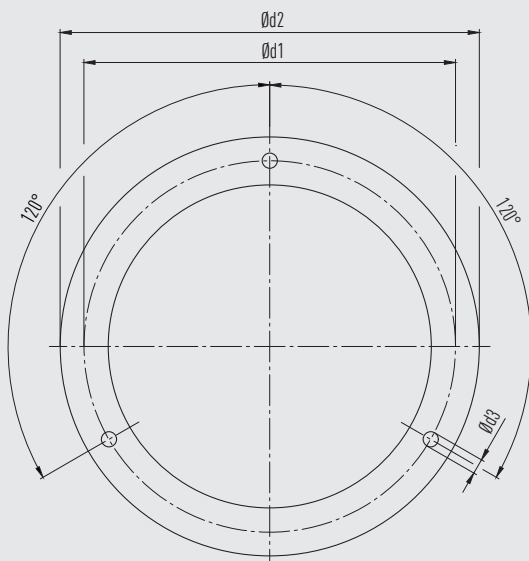
Process connection with thread per ANSI/B1.20.1

NS	G	Dimensions in mm [in]							
		h ± 1	b	D1	D2	i	y	k	SW
63 [2 1/2"]	1/4 NPT	57 [2.24]	33 [1.30]	63 [2.48]	62 [2.44]	6 [0.24]	10 [0.39]	15 [0.59]	14 [0.55]
	1/8 NPT	54 [2.13]							

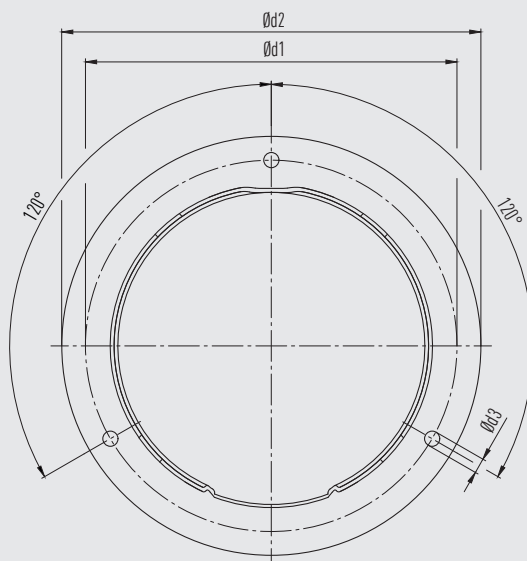
## Accessories

### Dimensions in mm [in]

Panel mounting flange

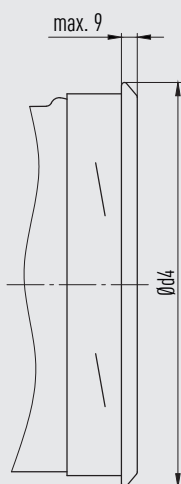


Surface mounting flange







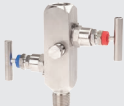



NS	Dimensions in mm [in]			
	Recommended panel cutout	d1	d2	d3
63 [2 ½"]	Ø 67 ±0.3 / Ø 2.6 [Ø 2.64 ±0.01 / Ø 0.10]	75 [2.95]	85 [3.35]	3.6 [0.14]
100 [4"]	Ø 104 ±0.5 / Ø 4.1 [Ø 4.04 ±0.02 / Ø 0.16]	117 [4.61]	132 [5.20]	4.8 [0.19]
160 [6"]	Ø 164 ±0.5 / Ø 6.5 [Ø 6.46 ±0.02 / Ø 0.26]	178 [7.01]	196 [7.71]	5.8 [0.23]

Triangular profile ring



NS	Dimensions in mm [in]	
	Recommended panel cutout	d4
63 [2 ½"]	Ø 64.5 ±0.5 / Ø 2.5 [Ø 2.54 ±0.02 / Ø 0.01]	≤ 69 [2.72]
NS 100 [4"]	Ø 102 ±1.0 / Ø 4.0 [Ø 4.02 ±0.04 / Ø 0.16]	≤ 108 [4.25]
NS 160 [6"]	Ø 162.6 ±1.0 / Ø 6.4 [Ø 6.40 ±0.04 / Ø 0.25]	≤ 168 [6.61]

## Accessories and spare parts

Model	Description
	<b>910.17</b> Sealings → see data sheet AC 09.08
	<b>910.15</b> Syphons → see data sheet AC 09.06
	<b>910.13</b> Overpressure protector → see data sheet AC 09.04
	<b>IV10, IV11</b> Needle valve and multipoint valve → see data sheet AC 09.22
	<b>IV20, IV21</b> Block-and-bleed valve → see data sheet AC 09.19
	<b>IVM</b> Monoflange, process and instrument version → see data sheet AC 09.17
	<b>BV</b> Ball valve, process and instrument version → see data sheet AC 09.28
	<b>IBF2, IBF3</b> Monoblock with flange connection → see data sheet AC 09.25

### Ordering information

Model / Nominal size / Scale range / Process connection / Connection location / Options

© 02/1995 WIKA Alexander Wiegand SE & Co. KG, all rights reserved.  
 The specifications given in this document represent the state of engineering at the time of publishing.  
 We reserve the right to make modifications to the specifications and materials.

