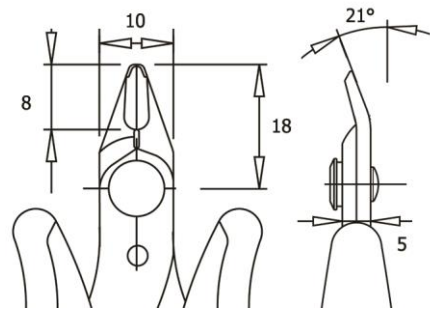


Professionally approved products.

Cable Cutters

Flush Type Cable Cutter, 133mm Overall Length, 1.02mm cutting capacity



[RS Stock No. 606-484](#)

Tool for a flush cut. With very sharp cutting edges, it is ideal for very delicate work in electronics, allowing access to difficult to reach areas. Safety clip for holding wire scraps securely after cutting available. Cutting force (kg) 3.5 / Copper wire (\varnothing mm)1.02 (awg) 18 / Steel thickness 2.5mm. Tool length 132mm.

