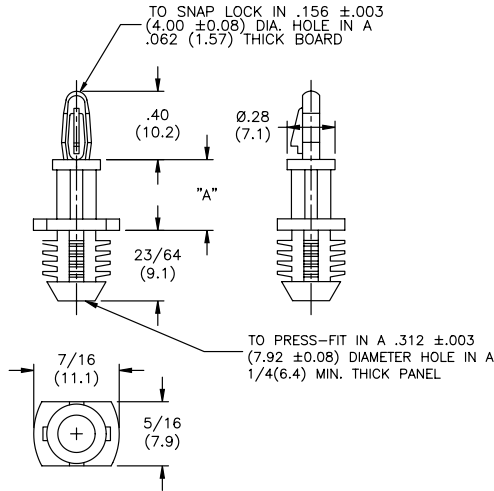


BHL Series Blind Hole Series



Material: Nylon 6/6, RMS-01
Color: Natural

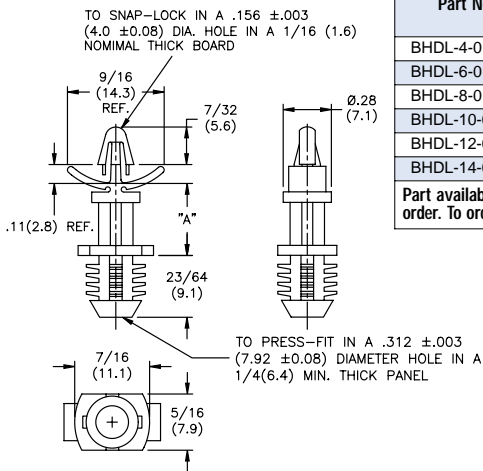
Part No.	Standard Pack: 1000 per bag
	"A" ± .015 (0.4)
BHL-3-01	3/16 (4.8)
BHL-4-01	1/4 (6.4)
BHL-6-01	3/8 (9.5)
BHL-7-01	7/16 (11.1)
BHL-8-01	1/2 (12.7)
BHL-10-01	5/8 (15.9)
BHL-12-01	3/4 (19.1)
BHL-14-01	7/8 (22.2)

Part available in V-0 material by special order. To order, replace -01 with -19.

Features

- Flexible ribs lock into round, threaded, punched or drilled blind holes in wood, metal (threaded), particle board, rubber and more

BHDL Series Blind Hole Series

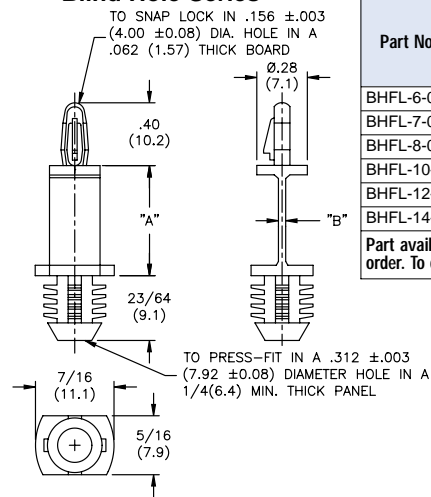


Material: Nylon 6/6, RMS-01
Color: Natural

Part No.	Standard Pack: 1000 per bag
	"A" ± .015 (0.4)
BHDL-4-01	1/4 (6.4)
BHDL-6-01	3/8 (9.5)
BHDL-8-01	1/2 (12.7)
BHDL-10-01	5/8 (15.9)
BHDL-12-01	3/4 (19.1)
BHDL-14-01	7/8 (22.2)

Part available in V-0 material by special order. To order, replace -01 with -19.

BHFL Series Blind Hole Series

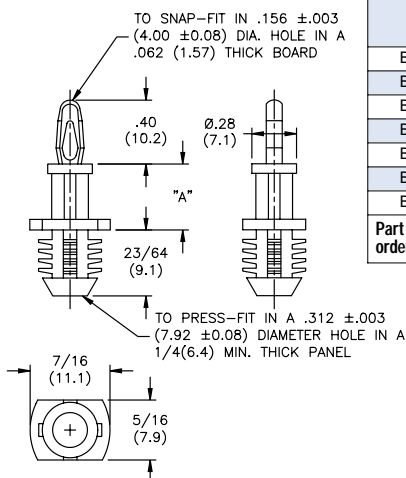


Material: Nylon 6/6, RMS-01
Color: Natural

Part No.	Standard Pack: 1000 per bag	
	"A" ±.015 (0.4)	Dim. "B"
BHFL-6-01	3/8 (9.5)	0.03 (0.8)
BHFL-7-01	7/16 (11.1)	
BHFL-8-01	1/2 (12.7)	0.04 (1.0)
BHFL-10-01	5/8 (15.9)	
BHFL-12-01	3/4 (19.1)	
BHFL-14-01	7/8 (22.2)	

Part available in V-0 material by special order. To order, replace -01 with -19.

BHC Series Blind Hole Series

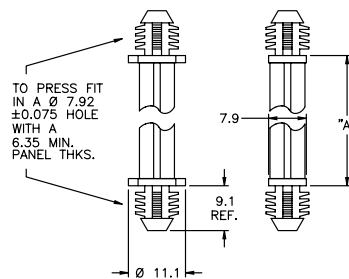


Material: Nylon 6/6, RMS-01
Color: Natural

Part No.	Standard Pack: 1000 per bag
	"A" ± .015 (0.4)
BHC-3-01	3/16 (4.8)
BHC-4-01	1/4 (6.4)
BHC-6-01	3/8 (9.5)
BHC-8-01	1/2 (12.7)
BHC-10-01	5/8 (15.9)
BHC-12-01	3/4 (19.1)
BHC-14-01	7/8 (22.2)

Part available in V-0 material by special order. To order, replace -01 with -19.

BHDF Series Blind Hole Series



Material: Nylon 6/6, RMS-01
Color: Natural

Part No.	Standard Pack: 1000 per bag
	"A" ± 0.4
BHDF-3M-01	3.0 mm
BHDF-4M-01	4.0 mm
BHDF-6M-01	6.0 mm
BHDF-8M-01	8.0 mm
BHDF-10M-01	10.0 mm
BHDF-12M-01	12.0 mm
BHDF-14M-01	14.0 mm
BHDF-16M-01	16.0 mm
BHDF-18M-01	18.0 mm
BHDF-20M-01	20.0 mm

Part available in V-0 material by special order. To order, replace -01 with -19.