

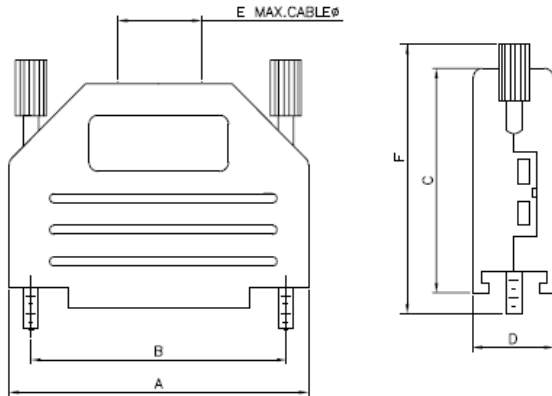
THIS IS A C.A.D. GENERATED DRAWING
DO NOT MAKE MANUAL REVISIONS TO MASTER.



* UNLESS OTHERWISE SPECIFIED TOLERANCES
ON DECIMAL IS:

BACKSHELL KIT INCLUDES:

- (1)BACKSHELL
 - (2)4-40 THUMBSCREWS
 - (1)PLASTIC STRAIN RELIEF
 - (1)METAL STRAIN RELIEF CLAMP
 - (2)STRAIN RELIEF SCREWS
- TORQUE VALUE ON PLASTIC FOR STRAIN RELIEF SCREWS=4 INCH POUNDS MAX



DIMENSIONS(mm/in)						
SIZE	A ± 0.032	B ± 0.012	C ± 0.02	D ± 0.02	E	F ± 0.02
9	31.50	24.99	34.00	15.00	8.00	47.20
	1.240	0.984	1.339	0.591	0.315	1.858
15	40.00	33.32	34.00	15.00	11.50	47.20
	1.575	1.312	1.339	0.591	0.453	1.858
25	53.50	47.04	40.00	15.00	11.50	47.20
	2.106	1.852	1.575	0.591	0.453	1.858
37	71.00	63.50	40.00	15.00	11.50	47.20
	2.795	2.500	1.575	0.591	0.453	1.858
50	67.50	61.11	40.00	19.00	14.00	47.20
	2.657	2.406	1.575	0.748	0.551	1.858

ORDERING INFORMATION: (YY=COLOR)

SIZE	P/N-KITTED:	P/N-BULK:
9-WAY	MHDPPK9-YY-K	MHDPPK9-YY
15-WAY	MHDPPK15-YY-K	MHDPPK15-YY
25-WAY	MHDPPK25-YY-K	MHDPPK25-YY
37-WAY	MHDPPK37-YY-K	MHDPPK37-YY
50-WAY	MHDPPK50-YY-K	MHDPPK50-YY

COLOR CODE CHART:

- BLACK = BK
- LIGHT GREY. = LG
- DEC GREY = DE
- RED = R
- BLUE = B
- YELLOW = Y
- GREEN = G
- WHITE = W

MATERIAL: POLYAMIDE PA66-UL RECOGNIZED MATERIAL
SEE COLOR CODE CHART.
THUMBSCREWS: STEEL,BLACK OXIDE(FOR BLACK HOODS)
STEEL,Zn PLATED(FOR COLORED HOODS)

OPERATING TEMP: -55°C TO+110°C .

THESE DRAWINGS AND SPECIFICATIONS ARE THE
PROPERTY OF MH CONNECTORS AND SHALL NOT BE
REPRODUCED, COPIED OR USED AS THE BASIS FOR
THE MANUFACTURE OR SALE OF APPARATUS WITHOUT
WRITTEN PERMISSION.

DRAWN HALEY		DATE 04-17-15	
APPROVED		DATE	
SCALE NTS	SHEET 1 OF 1	OF	REV: E
DRAWING No MHDPPK-SLIM SERIES			



THIS SERIES FULLY CONFORMS TO THE
EUROPEAN UNION DIRECTIVES 2002/95/EC
AND 2002/96/EC FOR RoHS COMPLIANCY.



**MH CONNECTORS ,
DIVISION OF EDAC**

COLOUR RANGE

COLOUR	UPPER	LOWER
01 = BLACK	PANTONE BLACK 3C	PANTONE BLACK 3C
02 = LIGHT GREY	427C	427C
07 = GREEN	7731C	7732C
04 = RED	186C	187C
05 = BLUE	2190C	2191C
06 = YELLOW	108C	109C
03 = DEC GREY	7527C	7534C