

SF-ASD 16 - Cordless screwdriver



1200294

<https://www.phoenixcontact.com/gb/products/1200294>

Please be informed that the data shown in this PDF document is generated from our online catalog. Please find the complete data in the user documentation. Our general terms of use for downloads are valid.



Cordless screwdriver, incl. battery, two-speed gearbox, forward/reverse running and 16-stage clutch up to 450 rpm, hexagonal quick connection.

Your advantages

- Cordless screwdriver with two-speed gearbox, forward/reverse running and 16-stage clutch with drilling stage of up to 450 rpm
- Adjustable from 0.2 ... 4.3 Nm
- 3.6 V
- Comfortable one-handed operation in a straight or angled position
- 6.3 mm hexagonal fast connection drill chuck
- Compact design

Commercial data

Item number	1200294
Packing unit	1 pc
Minimum order quantity	1 pc
Sales key	BH3243
Product key	BH3243
Catalog page	Page 454 (C-3-2019)
GTIN	4055626666426
Weight per piece (including packing)	565 g
Weight per piece (excluding packing)	465 g
Customs tariff number	84672920
Country of origin	TW

SF-ASD 16 - Cordless screwdriver



1200294

<https://www.phoenixcontact.com/gb/products/1200294>

Technical data

Notes

General	packed in cardboard
Environmental Product Compliance	
California Proposition 65	Further information on California's prop. 65 is available under "Downloads" in the manufacturer's declaration

Product properties

Product type	Torque tool
Type of packaging	packed in cardboard
Battery-operated voltage	3.6 V
Battery charging	60 min
Product property	Cordless screwdriver with two-speed gear and forward/reverse running 16-stage clutch with drilling setting up to 450 rpm

Insulation characteristics

Protection class	II
------------------	----

Electrical properties

Power consumption	7.2 W
Nominal voltage U_N	3.6 V DC 3.6 V DC

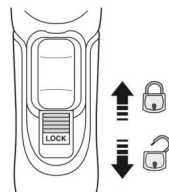
Battery

Battery charging	60.00 min
Battery-operated voltage	3.60 V DC
Battery capacity	2.00 Ah

Connection data

Torque range	0.2 Nm ... 4.3 Nm
Output	universal, replaceable

Dimensions

Dimensional drawing	
Width	45 mm
Height	172 mm
Length	266 mm

SF-ASD 16 - Cordless screwdriver



1200294

<https://www.phoenixcontact.com/gb/products/1200294>

Environmental and real-life conditions

Ambient conditions

Ambient temperature (operation)	5 °C ... 40 °C
Ambient temperature (storage/transport)	-25 °C ... 60 °C
Permissible humidity (operation)	95 % (<)

SF-ASD 16 - Cordless screwdriver

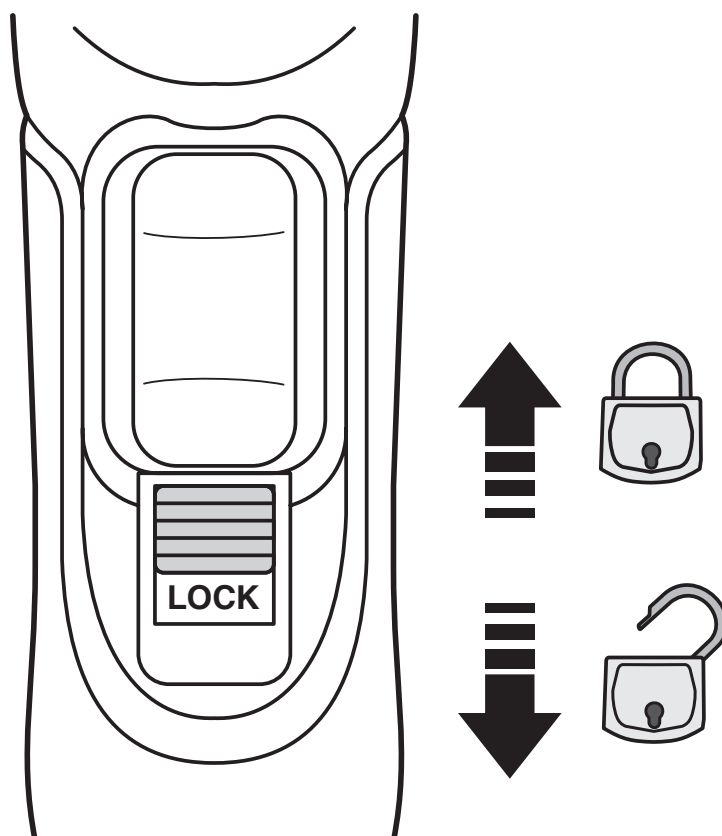
1200294

<https://www.phoenixcontact.com/gb/products/1200294>



Drawings

Dimensional drawing



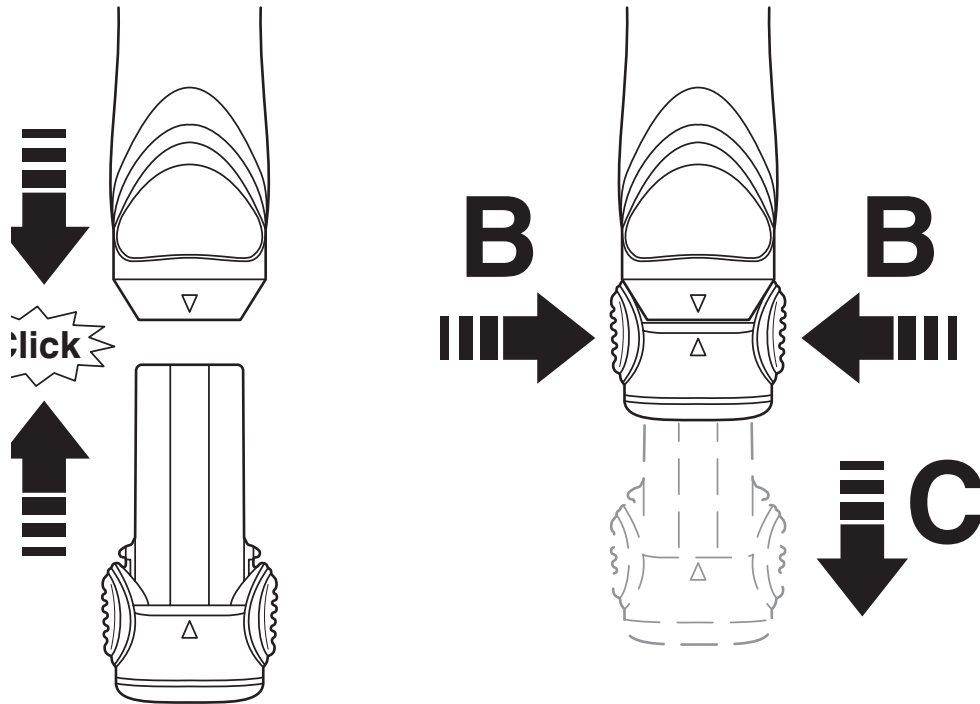
SF-ASD 16 - Cordless screwdriver

1200294

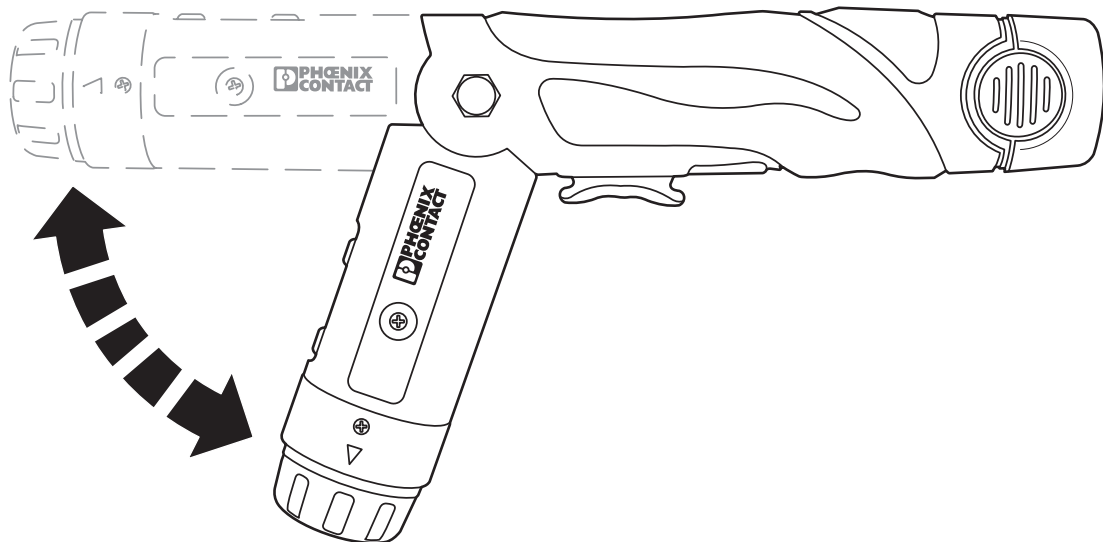
<https://www.phoenixcontact.com/gb/products/1200294>



Schematic diagram



Schematic diagram



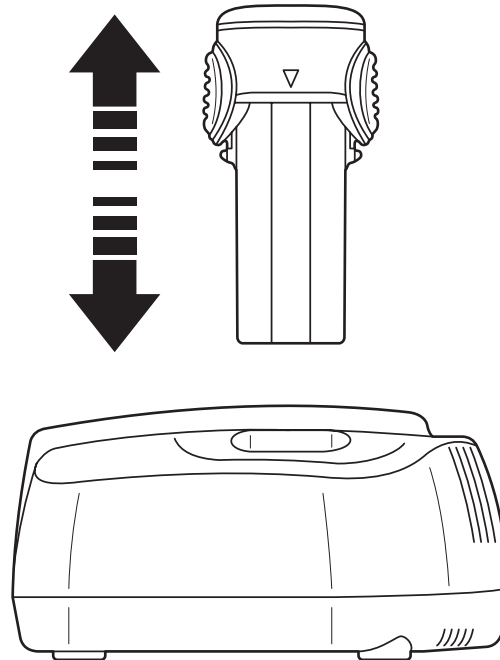
SF-ASD 16 - Cordless screwdriver

1200294

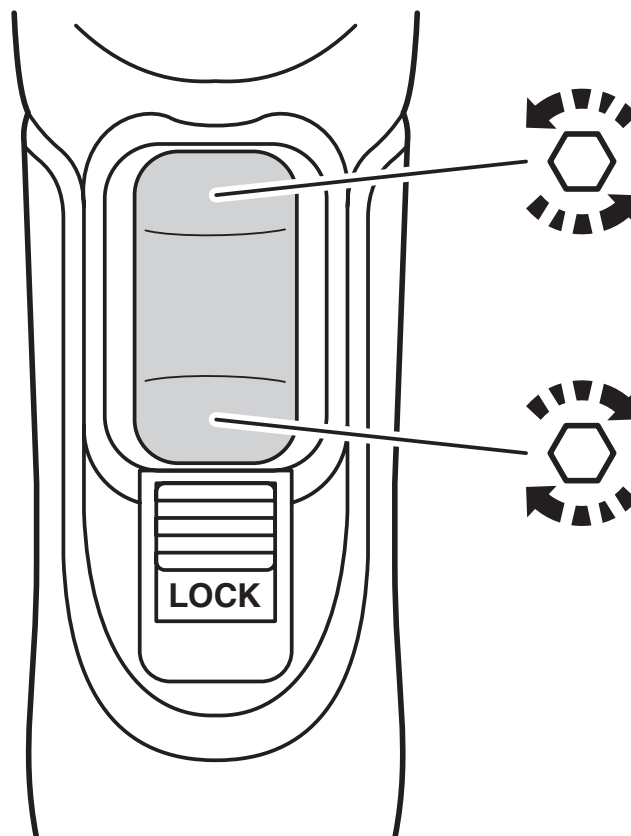
<https://www.phoenixcontact.com/gb/products/1200294>



Schematic diagram



Schematic diagram



SF-ASD 16 - Cordless screwdriver



1200294

<https://www.phoenixcontact.com/gb/products/1200294>

Classifications

ECLASS

ECLASS-13.0

21050804

ETIM

ETIM 9.0

EC001396

UNSPSC

UNSPSC 21.0

27111700

SF-ASD 16 - Cordless screwdriver



1200294

<https://www.phoenixcontact.com/gb/products/1200294>

Environmental product compliance

China RoHS

Environment friendly use period (EFUP)	EFUP-5 An article-related China RoHS declaration table can be found in the download area for the respective article under "Manufacturer declaration". For all articles with EFUP-E, no China RoHS declaration table issued and required.
--	---

EU REACH SVHC

REACH candidate substance (CAS No.)	No substance above 0.1 wt%
-------------------------------------	----------------------------

Phoenix Contact 2025 © - all rights reserved

<https://www.phoenixcontact.com>

PHOENIX CONTACT Ltd
Halesfield 13, Telford
Shropshire, TF7 4PG
01952 681700
info@phoenixcontact.co.uk