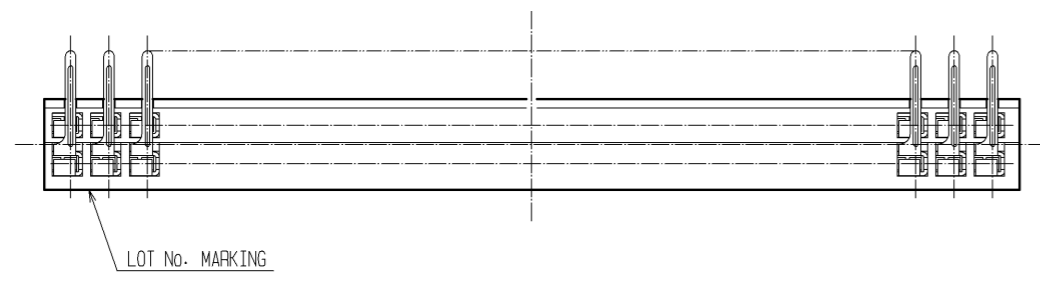
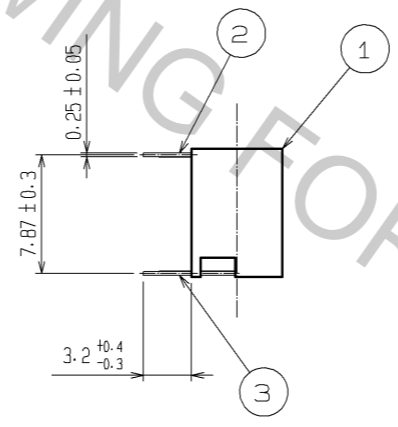
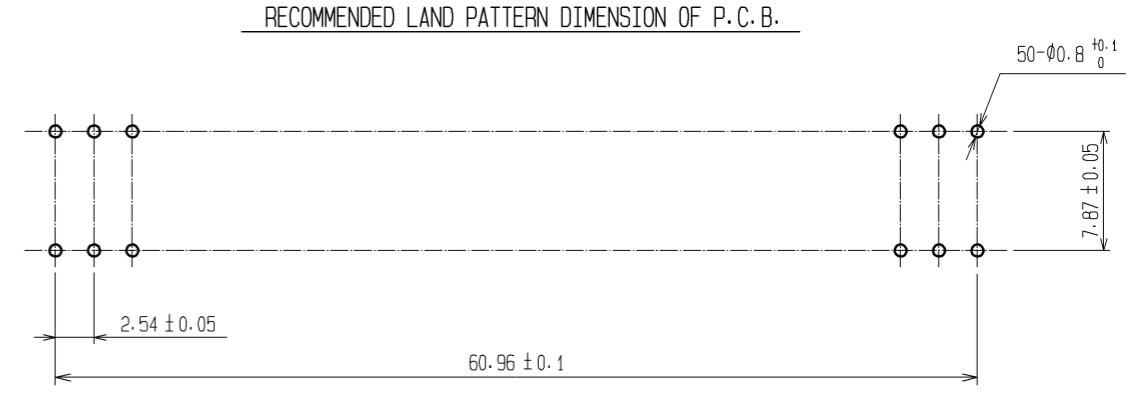
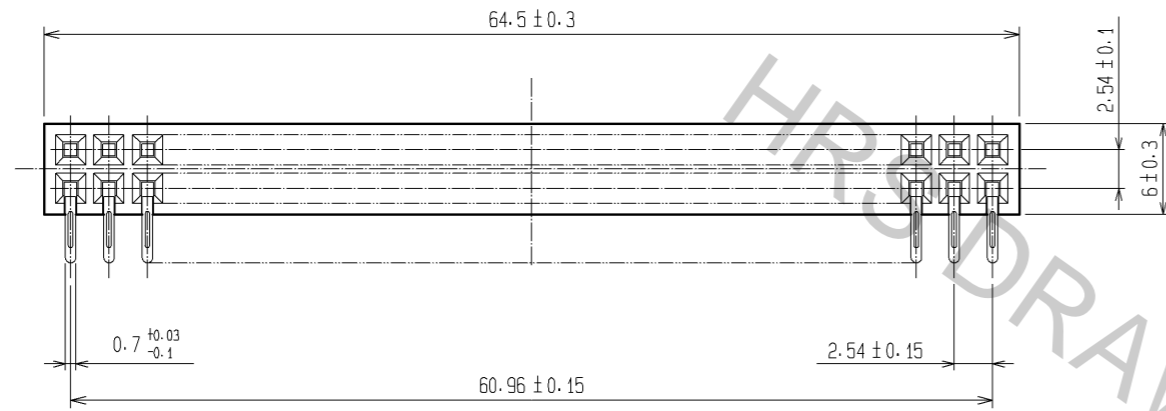


Nov.1.2016 Copyright 2016 HIROSE ELECTRIC CO., LTD. All Rights Reserved.



NOTE 1. BASIC MATERIAL IS EXPOSED AT CONTACT CUT SECTION.

1	PBT	BLACK (UL94V-0)	2, 3	PHOSPHOR BRONZE	CONTACT AREA:GOLD 0.2μm min. LEAD AREA:TIN-PLATING 1μm min. UNDER PLATING:NICKEL 1μm min.		
NO.	MATERIAL	FINISH . REMARKS	NO.	MATERIAL	FINISH . REMARKS		
UNITS mm		SCALE 2 : 1	COUNT 	DESCRIPTION OF REVISIONS	DESIGNED	CHECKED	DATE
HRS HIROSE ELECTRIC CO., LTD.		APPROVED : HS. OKAWA	07. 04. 23	DRAWING NO.	EDC3-018038-21		
		CHECED : HS. OZAWA	07. 04. 23	PART NO.	HIF3H-50DB-2. 54DS (71)		
		DESIGNED : KT. DOI	07. 04. 23	CODE NO.	CL618-0148-9-71		
		DRAWN : TS. MIYAKI	07. 04. 19				