

Product datasheet

Specifications



standard analog input kit - Modicon STB - +/- 10 V - 2 I -11 bits + sign

Local distributor code:

393519075

STBAVI1270K

EAN Code: 3595863988918

Main

Range of product	Modicon STB distributed I/O solution
Product or component type	Standard analog input kit
Kit composition	STBXBA1000 base STBXTS1100, 6-terminal screw type connector STBAVI1270 module STBXTS2100, 6-terminal spring clamp connector
Product compatibility	Mounting base STBXBA1000 Power distribution module STBPDT3100/3105
Analogue input number	2

Complementary

Cold swapping	Yes
Data format	IEC 61131-2 EN 61131-2
Integral linearity	+/- 0.2 %FS
Differential linearity	Monotonic
Addressing requirement	4 input words
Supply	Power distribution module
Hot swapping fallback	Yes for standard NIMs
Net weight	0.115 kg
Overvoltage category	II

Environment

Marking	CE
Relative humidity	95 % at 60 °C without condensation

Packing Units

Unit Type of Package 1	PCE
Number of Units in Package 1	1
Package 1 Height	2.500 cm
Package 1 Width	8.000 cm
Package 1 Length	13.000 cm
Package 1 Weight	138.000 g
Unit Type of Package 2	S02
Number of Units in Package 2	28

Package 2 Height	15.000 cm
Package 2 Width	30.000 cm
Package 2 Length	40.000 cm
Package 2 Weight	4.326 kg

Logistical informations

Country of origin	FR
-------------------	----

Contractual warranty

Warranty (in months)	18
----------------------	----



Environmental Data

Schneider Electric aims to achieve Net Zero status by 2050 through supply chain partnerships, lower impact materials, and circularity via our ongoing “Use Better, Use Longer, Use Again” campaign to extend product lifetimes and recyclability.

[Environmental Data explained >](#)

[How we assess product sustainability >](#)

Use Better



Materials and Substances

Packaging made with recycled cardboard

No

Packaging without single use plastic

No

SCIP Number

6830dd70-e4bc-47df-85c7-e41f888576f4

Use Longer



Lifetime extension

Repair

No

Use Again



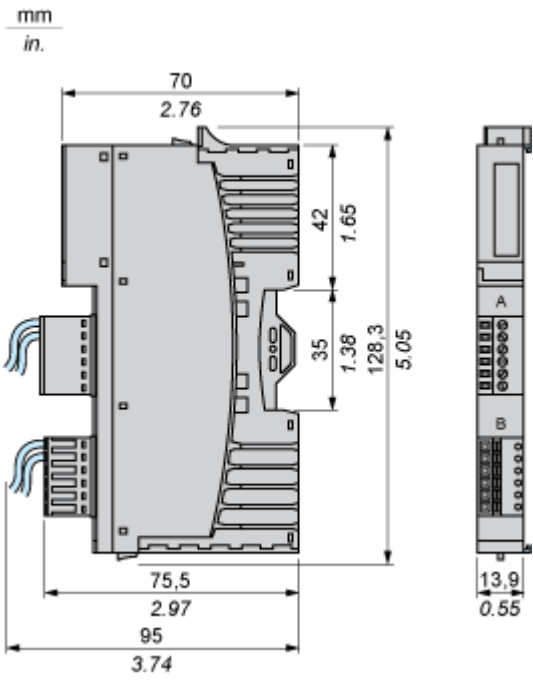
Repack and remanufacture

Take-back

No

Dimensions Drawings

Dimensions

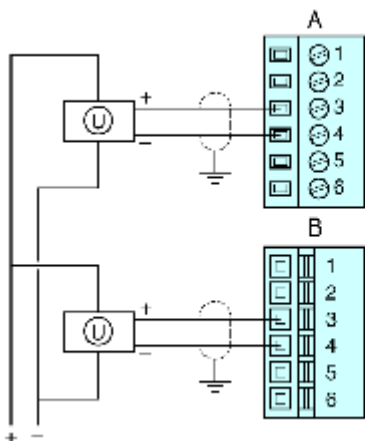


Connections and Schema

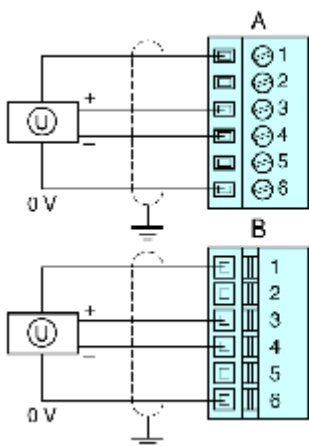
Wiring Diagrams

Examples

2 isolated analog sensors, external 24 VDC power supply



2 non-isolated analog sensors, 24 VDV supplied by the PDM



Pin	Top Connections	Bottom Connections
1	+24 VDC from field power bus for field device accessories	+24 VDC from field power bus for field device accessories
2	no connection	no connection
3	input from sensor 1	input from sensor 2
4	analog input return	analog input return
5	no connection	no connection
6	field power return (to the module)	field power return (to the module)