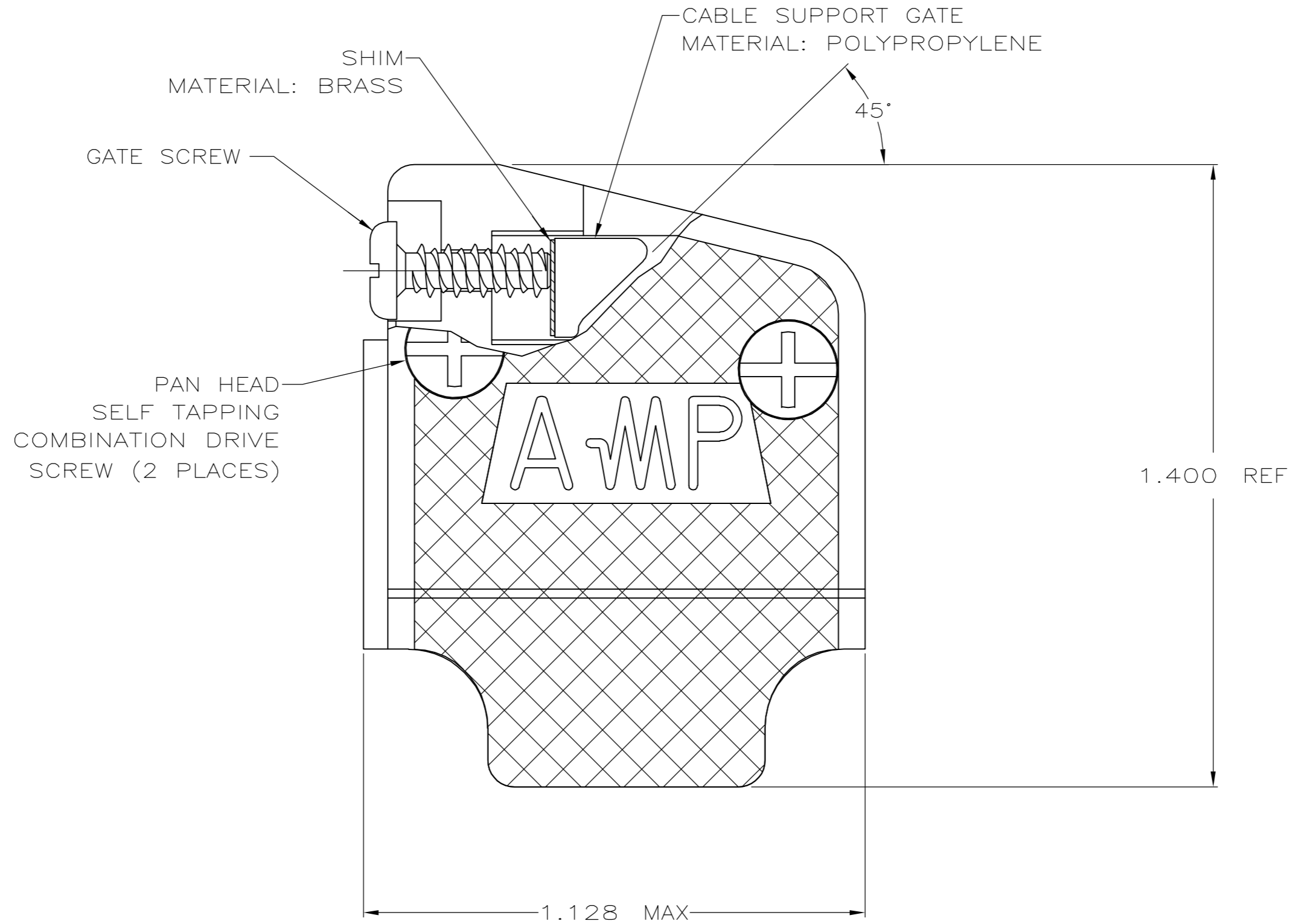
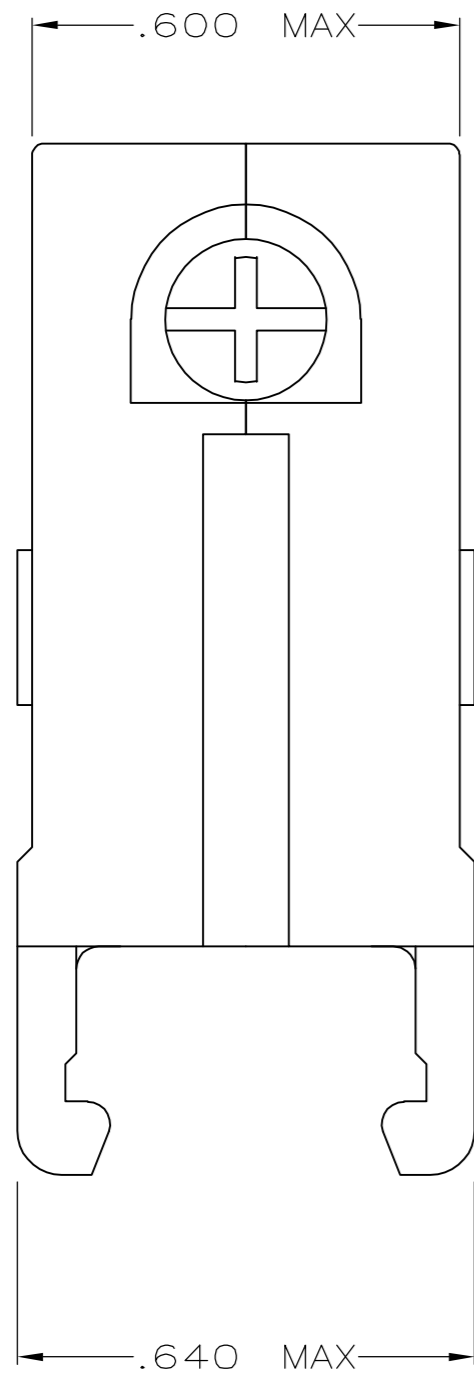
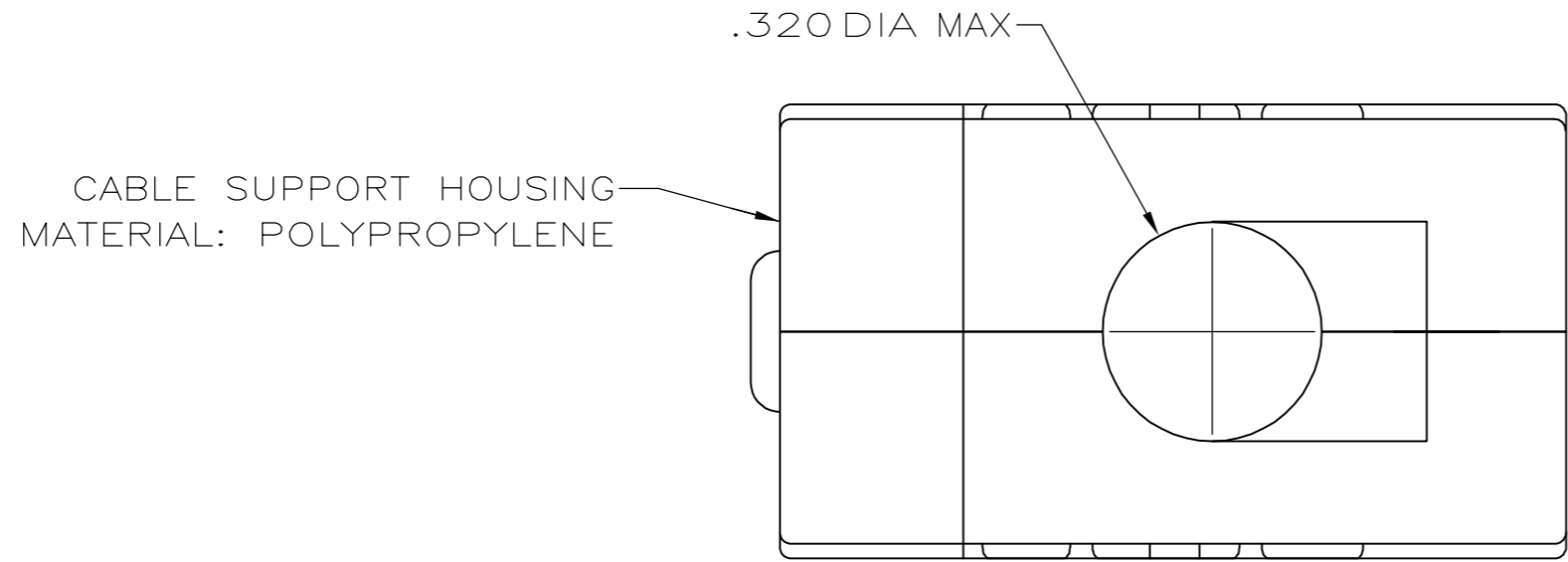


THIS DRAWING IS UNPUBLISHED. RELEASED FOR PUBLICATION
 © COPYRIGHT 2006 BY TYCO ELECTRONICS CORPORATION. ALL RIGHTS RESERVED.

LOC	DIST	REVISIONS			
P	LTR	DESCRIPTION	DATE	DWN	APVD
GP	00	0	RELEASED PER EC OS13-0221-05	31AUG05	RR JG



1. PARTS ARE PACKAGED UNASSEMBLED.

2 GATE: BLACK ZINC PHOSPHATE.
 SELF TAPPING: ZINC PLATED, CLEAR CHROMATE COATING.

5206393

5206393-1

PART NUMBER

THIS DRAWING IS A CONTROLLED DOCUMENT.		DWN R.RICHARDSON 31AUG05	Tyco Electronics Corporation Harrisburg, PA 17105-3608	
DIMENSIONS: INCHES		CHK C.ROHDE 31AUG05	NAME	
TOLERANCES UNLESS OTHERWISE SPECIFIED:		APVD M.WALMSLEY 31AUG05	PRODUCT SPEC	
MATERIAL SEE CALLOUTS		FINISH	APPLICATION SPEC	
SCREWS 2		WEIGHT	RESTRICTED TO	
CUSTOMER DRAWING		SCALE	SHEET	
SCALE 4:1		SHEET 1 of 1		REV 0