



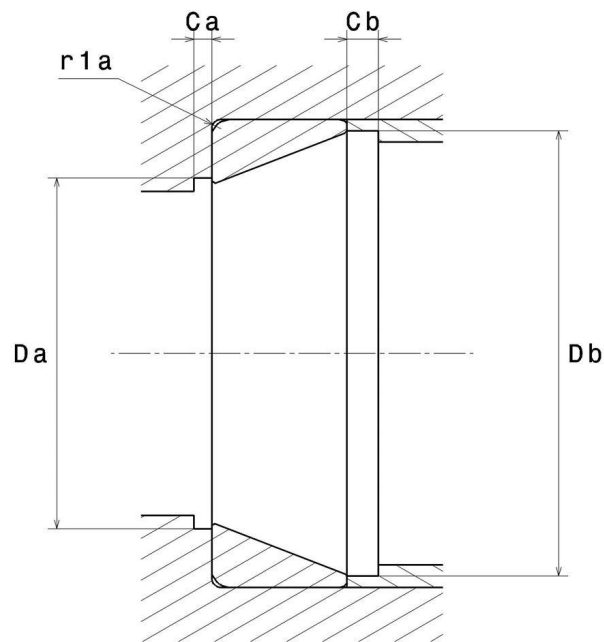
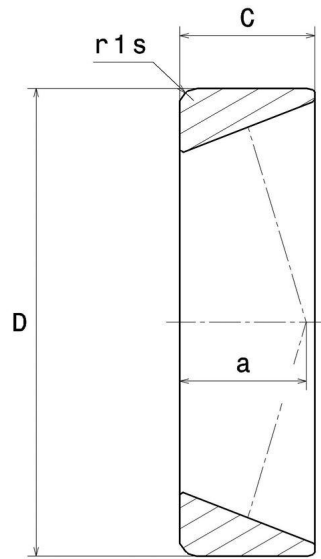
## Technical data

### 4T-JM822010PK

Single row tapered roller bearings

Cup

#### VISUAL (S)



# 4T-JM822010PK

Single row tapered roller bearings

## PRODUCT DEFINITION

<b>Brand</b>	NTN
<b>D - External diameter</b>	165 mm
<b>C - Outer ring width</b>	26,5 mm
<b>Mass</b>	0,834 kg

## PRODUCT PERFORMANCE

<b>A2 - Rating life coefficient</b>	1
-------------------------------------	---

## ABUTMENT

<b>Da max - Max shoulder diameter OR</b>	149 mm
<b>Db min - Min OR shoulder diameter</b>	159 mm
<b>r1a - Max fillet radius</b>	2,5 mm



**NTN Europe**

1 rue des Usines · BP 2017 · 74010 Annecy Cedex · France · Tel. +33 (0)4 50 65 30 00  
S.A. au capital de 322 639 919 € · RCS ANNECY B 325 821 072 · Id. Fiscale : FR 48 325 821 072  
SIRET 325 821 072 00015 · Code APE 2815 Z · Code NACE 28.15

INDUSTRY CALCUL FACTORS

**Equivalent dynamic radial load**

$$P = X.F_r + Y.F_a$$

$F_a / F_r \leq e$		$F_a / F_r > e$	
X	Y	X	Y
1	0	0.4	Y2

**Equivalent static radial load**

$$P_0 = X_0.F_r + Y_0.F_a$$

$X_0$	$Y_0$
0.5	Y0

If  $P_0 \leq F_r$ , then use  $P_0 = F_r$

The values for e, Y2 and Y0 are shown in the above table

