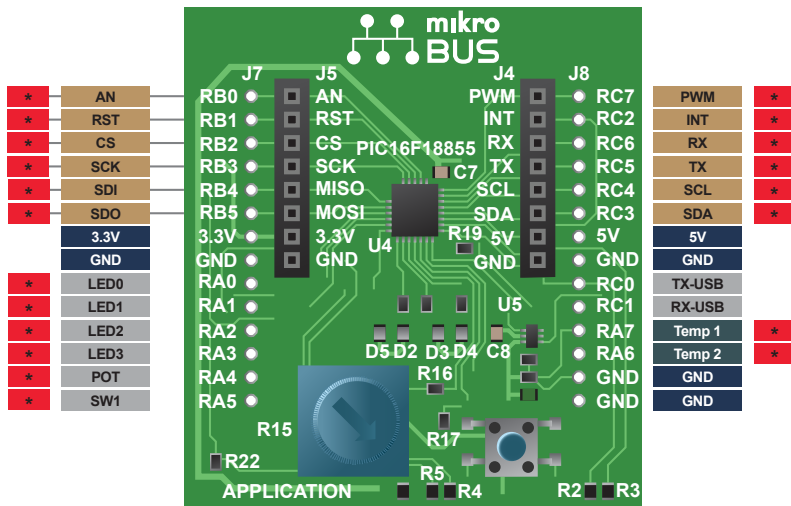


MPLAB[®] Xpress Evaluation Board Pinout

(DM164140)



- * ADC Input Pins
- TempX EMC1001 Therm(Pin1), Therm2(Pin 5)

The Microchip name and logo, the Microchip logo and MPLAB are registered trademarks and ICSP is a trademark of Microchip Technology Incorporated in the U.S.A. and other countries.

©2018, Microchip Technology Incorporated. All Rights Reserved. Printed in the U.S.A. 9/18

DS30010190A

www.microchip.com/DM164140

