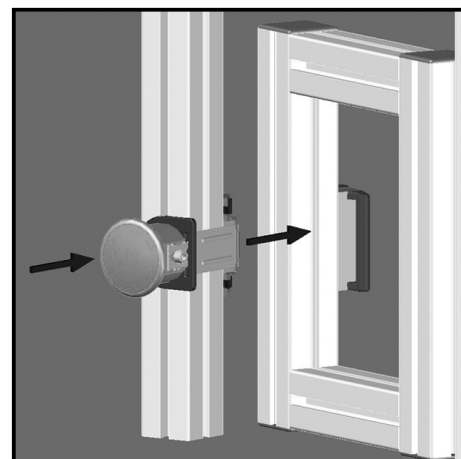
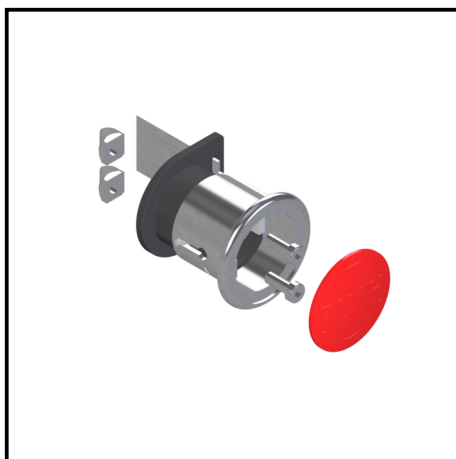
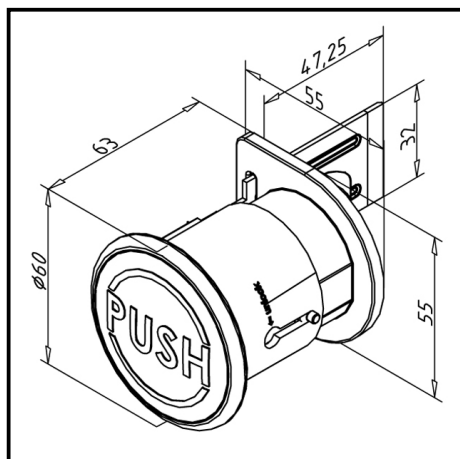


EMERGENCY RELEASE FOR RIM LATCH LOCK

Article Nr. 21.2316/0

See the product on the website →

Download CAD Files →



TECHN. DATA / ITEMS SUPPLIED

- Plastic / steel zinc plated
- Fastening kit
- Weight = 0.123 kg/piece

APPLICATIONS

- Assembly in connection with our trunk lock **part no.** [21.2311/0](#) or trunk lock with request **part no.** 21.2323/0
- To open the door from the inside, on the outside lock attached
- Also works with closed latch lock
- When emergency release is snapped into place, closure of door is prevented

ASSEMBLY

- Fasten with supplied hardware on the back of the post