

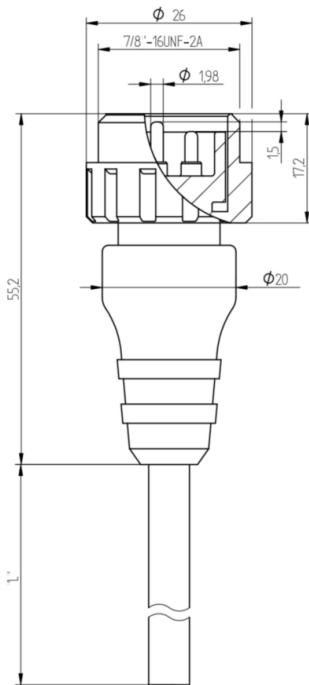
Product: [RS 20-03](#) ☒

7/8" Power Single-Ended Cordset: Male, straight, 2-pin, orange body, 230 V AC/DC, 12 A; PVC orange cable, 0.75 mm²

Product Description

7/8" Power Single-Ended Cordset: Male, straight, 2-pin, orange body, 230 V AC/DC, 12 A; PVC orange cable, 0.75 mm²

Technical Drawing



Typ/ type	Kontaktbelegung/ contact assignment	
	Polzahl/ number of poles	Farbkennung/ color code
RS 20 2		1 = braun / brown 2 = blau / blue
RS 30 3		1 = braun / brown 2 = grün-gelb / green-yellow 3 = blau / blue
RS 40 4		1 = braun / brown 2 = weiß / white 3 = blau / blue 4 = schwarz / black
RS 50 5		1 = schwarz / black 2 = blau / blue 3 = grün-gelb / green-yellow 4 = braun / brown 5 = weiß / white

Legende/ cut/inde
 L* Standardlänge der Steuerleitung/
 standard length of cable
 *v voreitend/ leading

Technical Specifications

Technical Data

Product Family:	Power Connector
Product Sub Family:	7/8" Circular Connectors
Brand:	Lumberg Automation
Connector Type:	Cordset, single ended
Type of Contact / Gender:	male
Connector Design:	straight

Number of Pins:	2
Shielding:	Unshielded
Attachment Type:	Coupling Screw
Rated Voltage:	250 V AC/DC
Operating Voltage:	230 V AC/DC
Rated Current:	12 A
Contact Resistance:	≤ 10 mOhm
Insulation Resistance:	> 10 ⁹ Ohm
Ambient Temperature (Operation):	-40 °C to +90 °C
Protection Degree / IP Rating:	IP68 (2h at 10 bar)
Pollution Degree:	3 acc. to DIN EN 60664-1 (VDE 0110-1)

Materials

Contact Base Material:	CuZn
Contact Plating:	Cu/Au
Contact Bearer Material:	TPU
Contact Bearer Color:	orange
Molded Body Material:	TPU
Molded Body Color:	orange
Attachment Material:	PA, black

Cable Data

Cable Number:	03
Number of Wires:	2
Minimal Bending Radius (Fixed Inst):	> 5 x D
Minimal Bending Radius (Flexible Inst):	> 10 x D
Conductor material:	Cu
Cable Jacket Material:	PVC
Cable Jacket Color:	orange
Cable Diameter D:	ø 6.80 ±0.20 mm
Wire Insulation Material:	PVC
Insulated Wire Diameter:	ø 2.40 mm
Ambient Temperature (Fixed Installation):	- 40 °C to +90 °C
Ambient Temperature (Flex Installation):	+ 5 °C to +90 °C
UL Cable Type:	AWM: 2654
Flammability Class (Cable Jacket):	DIN EN 60332-1-2, VDE 0482-332-1-2, IEC 60332-1-2, UL VW-1; flame-retardant and self-extinguishing

Safety & Environmental Compliance

RoHS Compliant:	yes
-----------------	-----

Notes

Protection Degree / IP Rating Note:	* only if mounted and locked in combination with Hirschmann / Lumberg connector.
Note Derating:	* Notice derating
Note:	Do not connect / disconnect under load.

Variants

Item #	Item Description	Cable Length
97882	RS 20-03/0,7 M	0.7 m
97865	RS 20-03/1,05 M	1.05 m
97876	RS 20-03/1,2 M	1.2 m
97867	RS 20-03/1,6 M	1.6 m
97866	RS 20-03/1,9 M	1.9 m
11566	RS 20-03/2 M	2 m
97868	RS 20-03/2,2 M	2.2 m
11567	RS 20-03/5 M	5 m
934636559	RS 20-03/10 M	10 m
107799	RS 20-03/15 M	15 m

© 2019 Belden, Inc

All Rights Reserved.

Although Belden makes every reasonable effort to ensure their accuracy at the time of this publication, information and specifications described here in are subject to error or omission and to change without notice, and the listing of such information and specifications does not ensure product availability.

Belden provides the information and specifications herein on an "ASIS" basis, with no representations or warranties, whether express, statutory or implied. In no event will Belden be liable for any damages (including consequential, indirect, incidental, special, punitive, or exemplary damages) whatsoever, even if Belden has been advised of the possibility of such damages, whether in an action under contract, negligence or any other theory, arising out of or in connection with the use, or inability to use, the information or specifications described herein.

All sales of Belden products are subject to Belden's standard terms and conditions of sale.

Belden believes this product to be in compliance with all applicable environmental programs as listed in the data sheet. The information provided is correct to the best of Belden's knowledge, information and belief at the date of its publication. This information is designed only as a general guide for the safe handling, storage, and any other operation of the product itself or the one that it becomes a part of. The Product Disclosure is not to be considered a warranty or quality specification. Regulatory information is for guidance purposes only. Product users are responsible for determining the applicability of legislation and regulations based on their individual usage of the product.