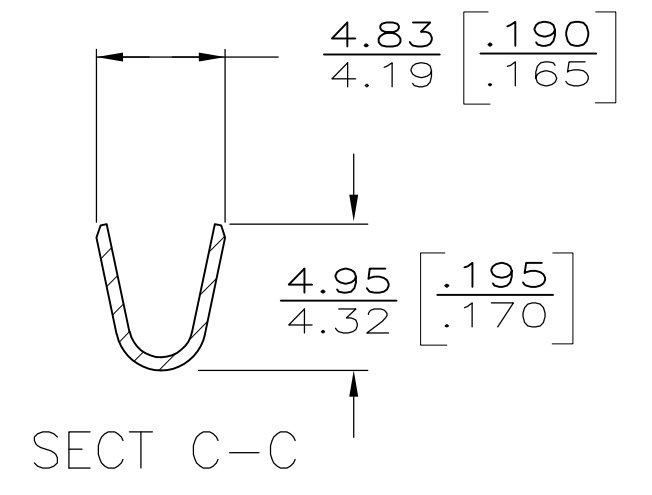
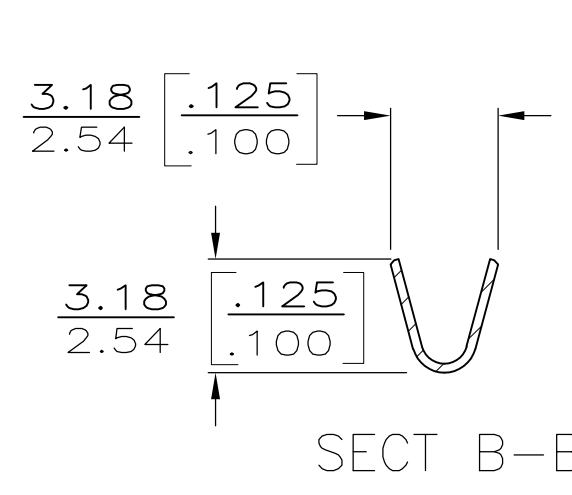
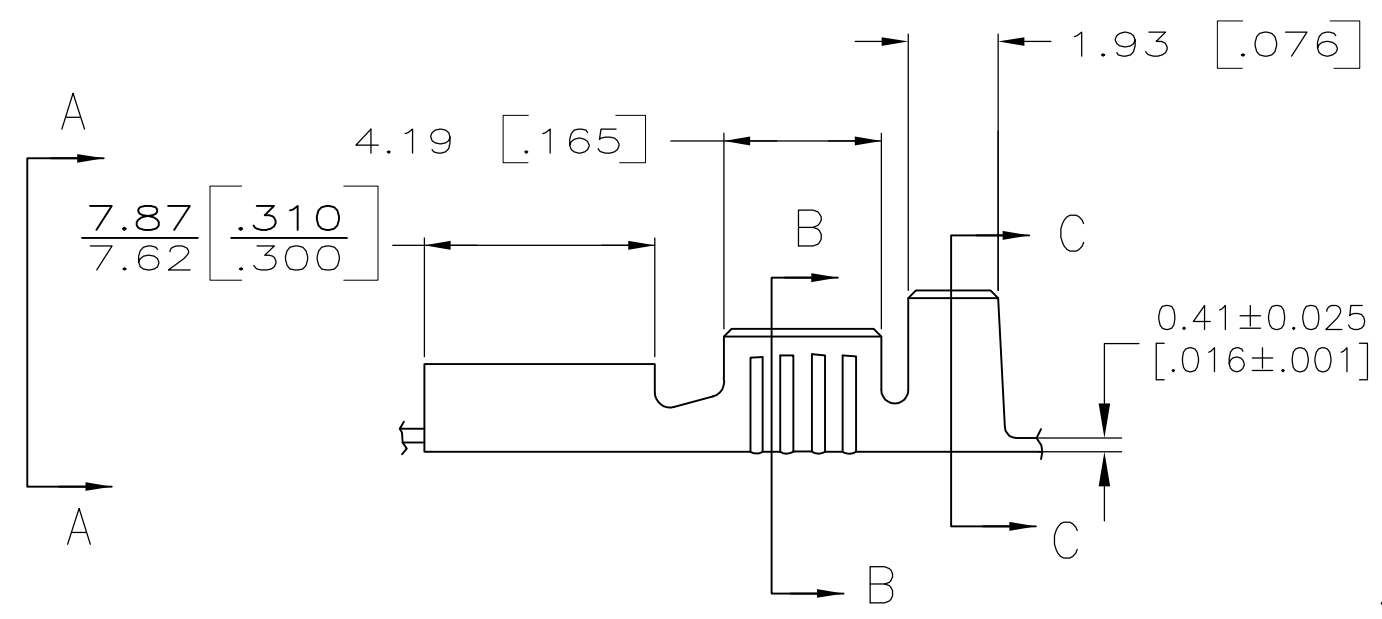
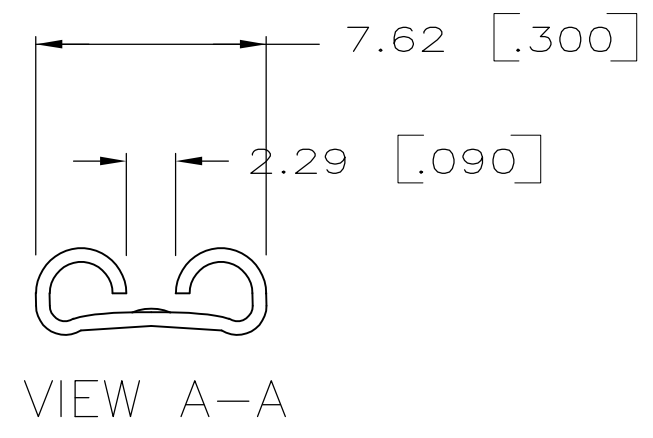
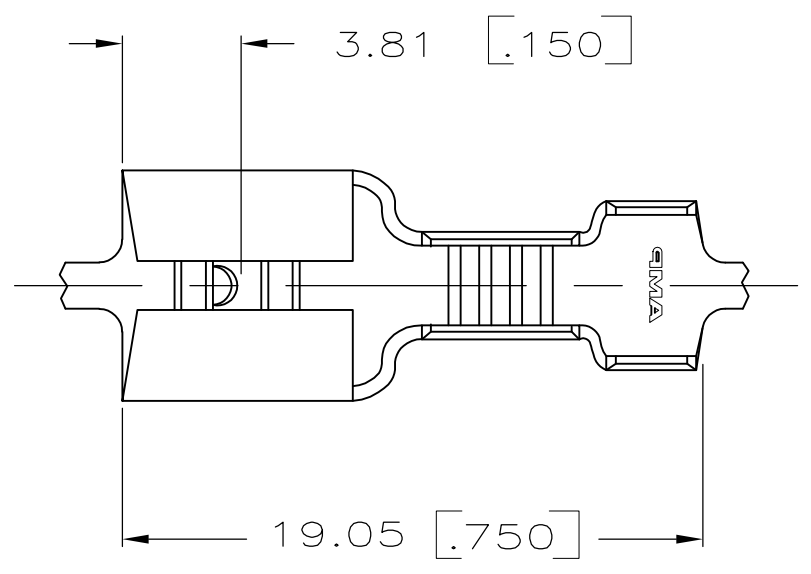


THIS DRAWING IS UNPUBLISHED. RELEASED FOR PUBLICATION
 © COPYRIGHT BY TYCO ELECTRONICS CORPORATION. ALL INTERNATIONAL RIGHTS RESERVED.

LOC	DIST	REVISIONS			
P	LTR	DESCRIPTION	DATE	DWN	APVD
AF	50	U	REVISED AF-7914	4/10/92	jr cm

1- DIM'S IN BRACKETS ARE IN INCHES.
 2- CONTINUOUS STRIP ON REELS.
 3- FOR FOREIGN PRODUCTION ONLY



3	2.29-3.30 [.090-.130]	0.3-0.8mm [22-18]	0.81±0.025 [.032] ±.001	41771-1
	2.29-3.30 [.090-.130]	0.3-0.8mm ² [22-18]	0.81±0.025 [.032] ±.001	41771
	INSUL RANGE	WIRE SIZE	TAB THK.	PART NO.

F OR O	3.30 [.130]	5.59 [.220]	F	2.29 [.090]	1.42 [.056]	0.8mm [18]
					1.30 [.051]	0.5mm [20]
					1.24 [.049]	0.3mm ² [22]
TYPE	WIDTH	STRIP LENGTH ±0.38 ±.015	TYPE	WIDTH	±.051 [±.002] HEIGHT	WIRE
INSUL BARREL CRIMP			WIRE BARREL CRIMP			

THIS DRAWING IS A CONTROLLED DOCUMENT.

DWN	JR RUTH	2/7/86	 Tyco Electronics Corporation Harrisburg, PA 17105-3608	
CHK	G YETTER	2/7/86		
APVD	R KUZO	2/7/86		
PRODUCT SPEC				
APPLICATION SPEC			NAME	
WEIGHT			RECEPTACLE, FASTON, 6.35 [.250] SERIES	
CUSTOMER DRAWING	SIZE	A3	CAGE CODE	00779
	DRAWING NO	C-41771	RESTRICTED TO	
	SCALE	4:1	SHEET	1 OF 1
	REV	U		