

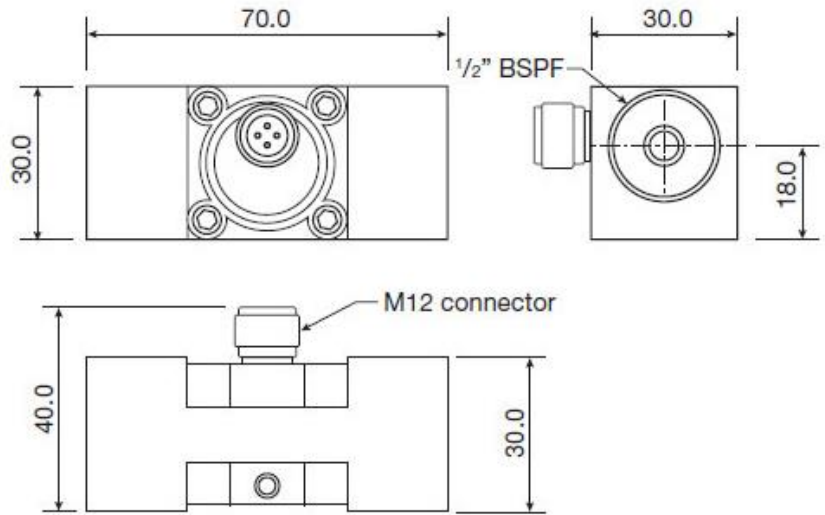


ENGLISH

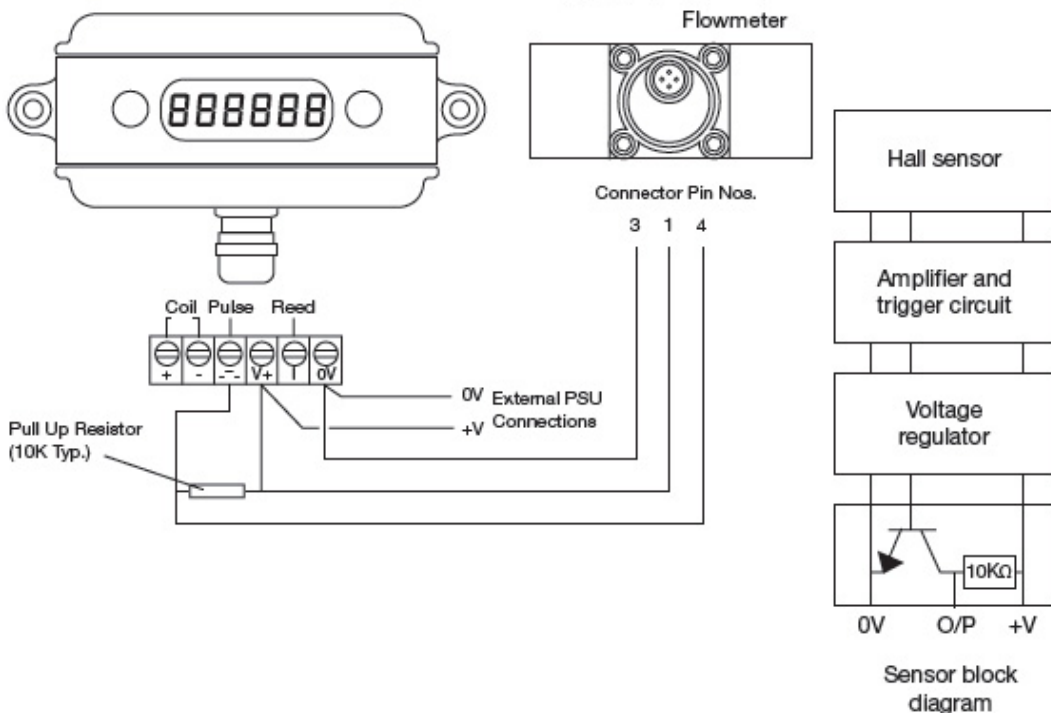
Datasheet

RS Pro Turbine Flow Meter

RS Number: 5113971



RS Number	Flow Range L/Min	Linearity % FSD	Typical Freq. Hz	Approx 'K' Factor
5113971	0.5 – 15	1.0	245	980



At the heart of the turbine flow meter is a precision turbine that rotates freely on robust sapphire bearings and contains over-moulded magnets that are detected through the chamber wall by a Hall effect detector. The output is a stream of NPN pulses that readily interfaces with most electronic display or recording devices. This combination of materials and technology ensures a long life product with reliable operation throughout. Viton 'O'Rings and 316 St St body and cap.