



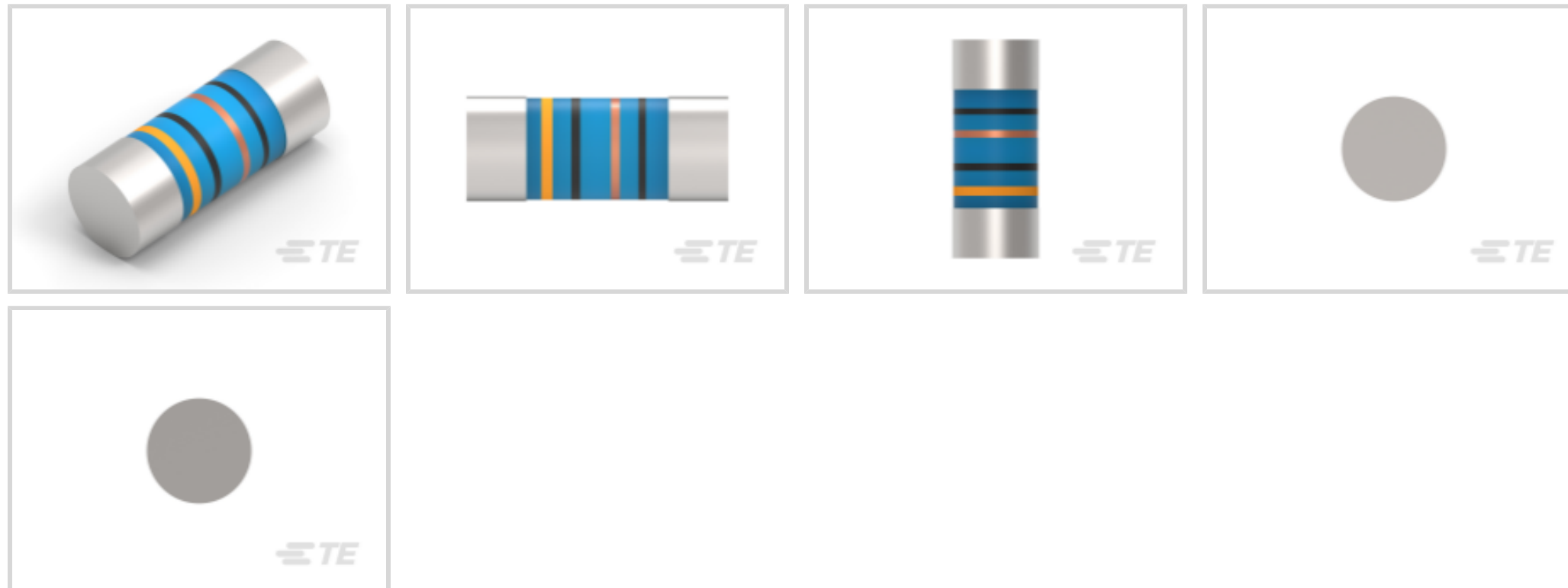
NEOHM | NEOHM SMA-A

TE Internal #: 8-2176314-3

TE Internal Description: MELF SMA-A 100K 1% 50PPM 0102 0.3W

[View on TE.com >](#)

Passive Components > Resistors > Surface Mount Resistors



Resistor Type: **Precision Resistor**

Element Type: **Thin Film**

Package Size Code: **0102**

Power Rating: **.3 W**

Resistance Value: **100K Ω**

Features

Product Type Features

Resistor Type	Precision Resistor
Element Type	Thin Film
Package Size Code	0102

Configuration Features

Number of Resistors	1
---------------------	---

Electrical Characteristics

Operating Voltage	200 V
Power Rating	.3 W
Resistance Value	100K Ω
Resistance Class	1k Ω – 1M Ω
Passive Component Tolerance	1 %

Termination Features

Surface Mount Resistor Termination Type	Metal Electrode Leadless Face (MELF)
Number of Terminations	2

Dimensions



Product Diameter	1.1 mm[.043 in]
------------------	-----------------

Product Length	2.2 mm[.087 in]
----------------	-----------------

Usage Conditions

Operating Temperature Range	-55 – 155 °C[-67 – 311 °F]
-----------------------------	----------------------------

Temperature Coefficient	±50 ppm/°C
-------------------------	------------

Packaging Features

Packaging Method	Taped & Reeled
------------------	----------------

Product Compliance

[For compliance documentation, visit the product page on TE.com>](#)

EU RoHS Directive 2011/65/EU	Compliant
------------------------------	-----------

EU ELV Directive 2000/53/EC	Compliant
-----------------------------	-----------

China RoHS 2 Directive MIIT Order No 32, 2016	No Restricted Materials Above Threshold
---	---

EU REACH Regulation (EC) No. 1907/2006	Current ECHA Candidate List: JAN 2025 (247) Candidate List Declared Against: JUNE 2024 (241) Does not contain REACH SVHC
--	--

Halogen Content	Low Halogen - Br, Cl, F < 900 ppm per homogenous material. Also BFR/CFR/PVC Free
-----------------	--

Solder Process Capability	Reflow solder capable to 260°C
---------------------------	--------------------------------

Product Compliance Disclaimer

This information is provided based on reasonable inquiry of our suppliers and represents our current actual knowledge based on the information they provided. This information is subject to change. The part numbers that TE has identified as EU RoHS compliant have a maximum concentration of 0.1% by weight in homogenous materials for lead, hexavalent chromium, mercury, PBB, PBDE, DBP, BBP, DEHP, DIBP, and 0.01% for cadmium, or qualify for an exemption to these limits as defined in the Annexes of Directive 2011/65/EU (RoHS2). Finished electrical and electronic equipment products will be CE marked as required by Directive 2011/65/EU. Components may not be CE marked. Additionally, the part numbers that TE has identified as EU ELV compliant have a maximum concentration of 0.1% by weight in homogenous materials for lead, hexavalent chromium, and mercury, and 0.01% for cadmium, or qualify for an exemption to these limits as defined in the Annexes of Directive 2000/53/EC (ELV). Regarding the REACH Regulation, the information TE provides on SVHC in articles for this part number is based on the latest European Chemicals Agency (ECHA) 'Guidance on requirements for substances in articles' posted at this URL: <https://echa.europa.eu/guidance-documents/guidance-on-reach>

Compatible Parts



TE Part # 3-2176315-2
MELF SMA_A 39K 0.1% 15PPM 0204 0.4W



TE Part # 9-2176316-4
MELF SMA-A 330K 1% 50PPM 0207 1W



TE Part # 9-2176315-8
MELF SMA-A 1M0 1% 50PPM 0204 0.4W



TE Part # 2176316-5
MELF SMA_A 220R 0.1% 15PPM 0207 1W



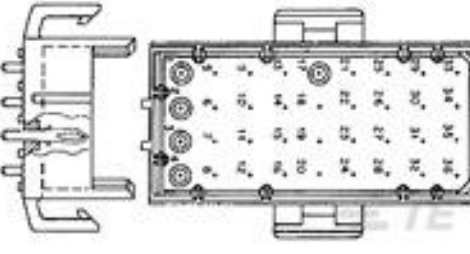
TE Part # 6-2176314-9
MELF SMA-A 10R 1% 50PPM 0102 0.3W

Also in the Series | NEOHM SMA-A



Surface Mount Resistors(99)

Customers Also Bought



TE Part #640501-1
09P MR HDR ASSY V0



TE Part #953264-2
18pos MQS .63 header 180deg THR



TE Part #1571983-8
GDH06S04=DIP SWITCH



TE Part #9-1614352-4
RN 0603 110R 0.1% 10PPM 1K RL



TE Part #1624250-4
CGS SL1 R022 5% TAPED



TE Part #4-1676971-2
RN 0805 200K 0.1% 10PPM 1K RL



TE Part #1734248-5
1.0 FPC, ZIF V/T, SMT, 5P



TE Part #2149966-1
MiniSAS HD, 1x2 Rec Assy



Documents

Product Drawings

[MELF SMA-A 100K 1% 50PPM 0102 0.3W](#)

English

CAD Files

[3D PDF](#)

3D

Customer View Model

[ENG_CVM_CVM_8-2176314-3_BA.2d_dxf.zip](#)

English

Customer View Model

[ENG_CVM_CVM_8-2176314-3_BA.3d_igs.zip](#)

English

Customer View Model

[ENG_CVM_CVM_8-2176314-3_BA.3d_stp.zip](#)

English

By downloading the CAD file I accept and agree to the [Terms and Conditions](#) of use.

Datasheets & Catalog Pages

[SMA-A-1017](#)

English