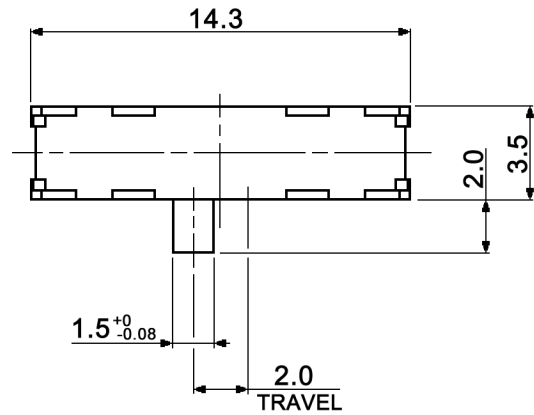
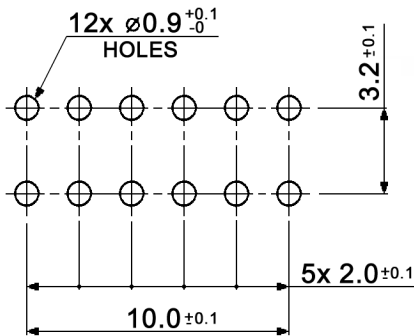
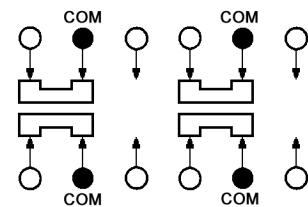


P.C.B. LAYOUT



SCHEMATIC



timing: non-shorting

Specifications:

- Contact rating: 0.5A, 12V DC
- Contact resistance: 40mOhm max.
- Insulation resistance: 100MOhm min. at 500V DC
- Dielectric strength: 500V AC for 1 minute
- Operating temperature: -10°C to +60°C
- Mechanical life: 10 000 cycles
- Operating force: 200 +/-150gf
- Soldering conditions: manual soldering: 260 +/-5°C, 3 sec. max.
auto-soldering: 245 +/-5°C, 3sec. max.

Material:

- Contact / terminal: copper alloy, silver cladding
- Frame: liquid crystal polymer, black
- Slider: polyamide resin, black
- Cover: stainless steel plate



Tolerances: ±0.3mm	Date	Name
	08/11	dr
Modifications	Date	Name

MMP 421-R

knitter-switch

30 24 33

Page

1/1