



<b>General characteristics</b>			
<b>General characteristics</b>			
Functions			Devices OSSD
<b>Contact characteristics</b>			
Type of contact			2NO
<b>Operations</b>			
Mechanical life		cycles	>10 <sup>7</sup>
<b>Auxiliary supply</b>			
Nominal auxiliary voltage supply			24VDC
Operating range		V	22...26VDC / 20.4...27.6VAC
Overvoltage category			III
Insulation voltage		kV	4
<b>Input characteristics</b>			
Number of inputs		Nr.	2
Input current		mA	Typical 4.3
Input voltage			0-30VDC
<b>Output characteristics</b>			
Number of safe outputs NO		Nr.	2
Number of safe outputs NC		Nr.	0
Number of feedback outputs		Nr.	0
Output type			Relays with forcibly guided contacts
Output contacts ratings			AC1 250V: 6A- 2000VA AC15 230V: 5A DC13 24V: 2A
UL 508 ratings			Pilot duty: B300- Q300
Mechanical life		cycles	>10 <sup>7</sup>
Electrical life AC1 at 360 commutations/h		cycles	10 <sup>5</sup>
<b>Safety parameters</b>			
ISO 13849-1 security category			Cat. 4
ISO 13849-1 performance level			PLe
<b>Mechanical features</b>			
Fixing			35mm DIN rail
Weight		g	150
<b>Ambient conditions</b>			
Protection degree			IP40 on front IP20 on terminals
Pollution degree			2
Temperature			
	Operating temperature		
		min	°C -25
		max	°C +55

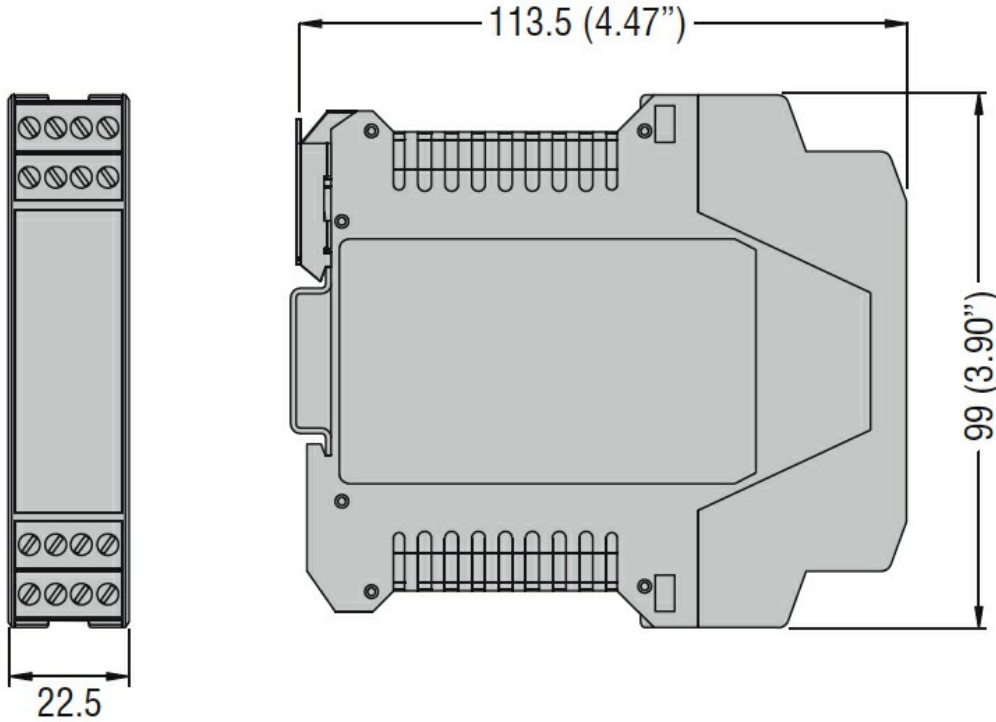
Storage temperature

min	°C	-30
max	°C	+70

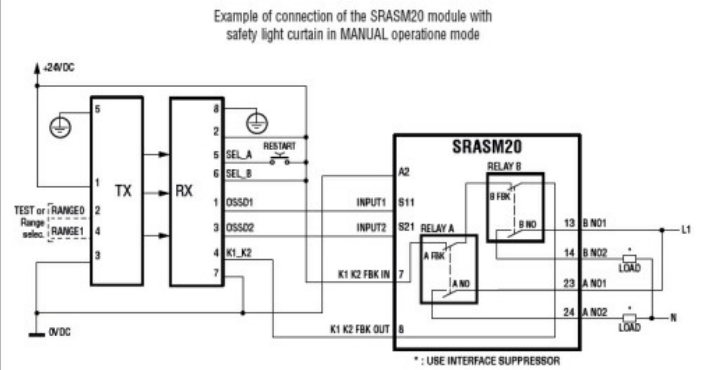
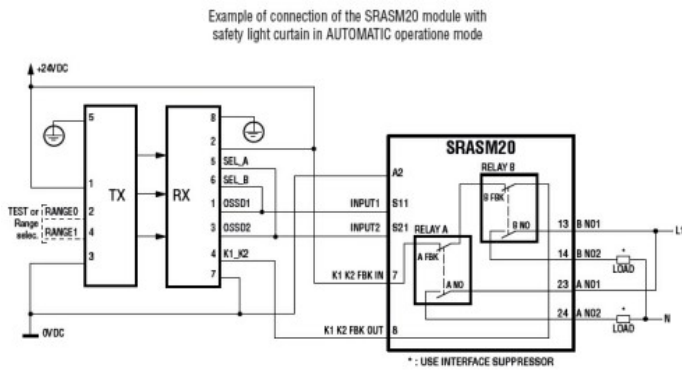
Relative humidity

%	≤95
---	-----

**Dimensions**



**Wiring diagrams**



**Certifications and compliance**

Compliance

EN/BS 62061  
EN/ISO/BS 13849-1

Certificates

cULus  
TÜV

**ETIM classification**

ETIM 8.0

EC001449 -  
Device for  
monitoring of  
safety-related  
circuits

