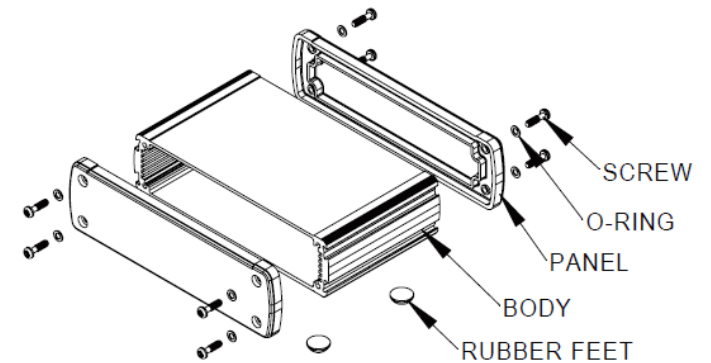
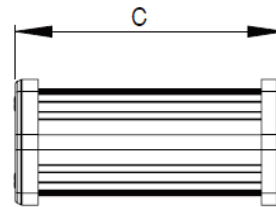
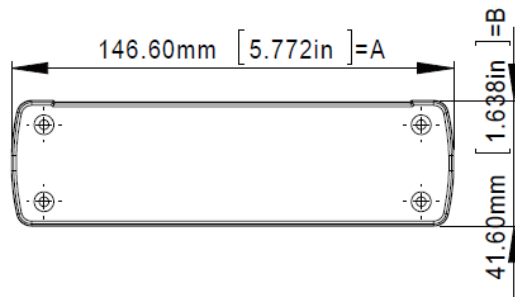
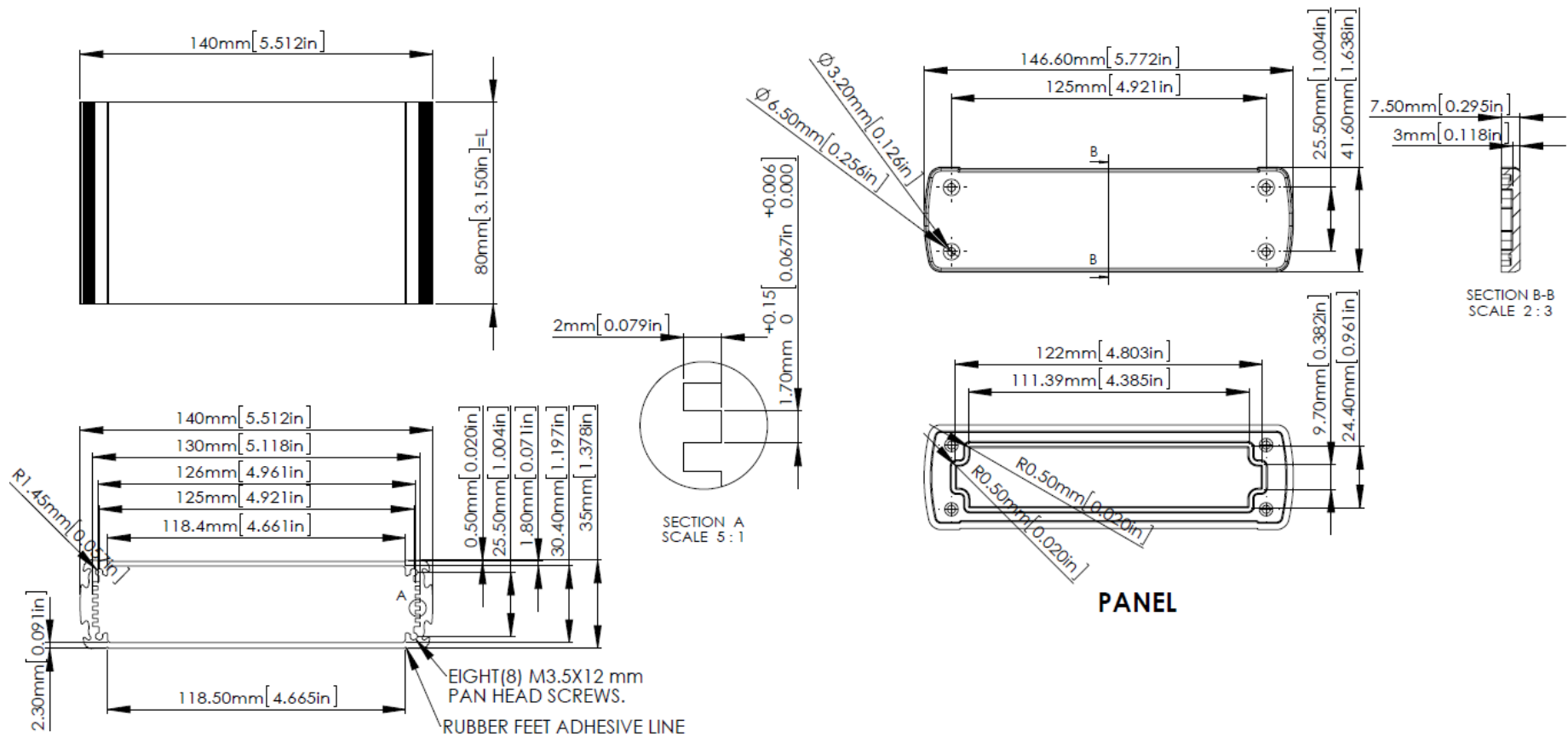




- RS Stock No. 1368933
- RS Stock No. 1368934
- RS Stock No. 1368935
- RS Stock No. 1368936
- RS Stock No. 1368937
- RS Stock No. 1368938
- RS Stock No. 1368939
- RS Stock No. 1368940





RS Stock No.	L (mm)
1368933	80
1368934	120
1368935	160
1368936	200
1368937	80
1368938	120
1368939	160
1368940	200

According to ISO 2768-m	
Measuring DIM=L	Tolerances
0.5<L≤3.0mm	±0.1mm
3.0<L≤6.0 mm	±0.1mm
6.0<L≤30.0 mm	±0.2mm
30.0<L≤120.0 mm	±0.3mm
120.0<L≤400.0 mm	±0.5mm
400.0<L≤1000.0 mm	±0.8mm