

HELAVIA® universal flexible DV wire-clamps
in polychloroprene rubber (Neoprene) black
 (for technical properties see page D100)




HELAVIA®
-30 to +90°C




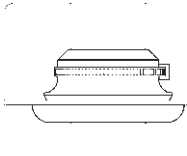
For protection and strain relief, very effective when used with SES-QUICK cable ties.

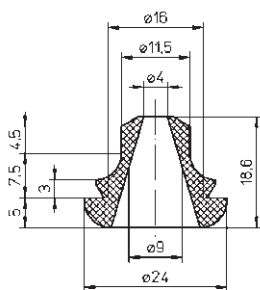
• DV wire-clamps in Bags, without ties

type	article number		housing Ø (mm)	wire Ø (mm)	cable ties to be used	
					type	article number
DV 4 / 9	0252 0511 010	100	16	4 - 9	145/34 SL-C	0186 0979 010
DV 7 / 12	0252 0521 010	100	19	7 - 12	145/34 SL-C	0186 0979 010
DV 12 / 18	0252 0531 010	100	25	12 - 18	185/46 SL-C	0186 0983 010
DV 18 / 25	0252 0541 010	50	32	18 - 25	185/46 SL-C	0186 0983 010
DV 25 / 32	0252 0551 010	50	38	25 - 32	185/46 SL-C	0186 0983 010

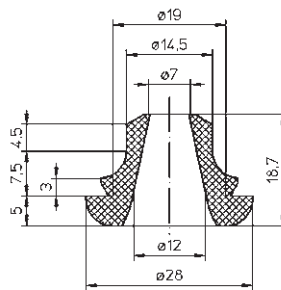
For more information about cable ties see page C12/11-01

• DV wire-clamps in Bags, with ties

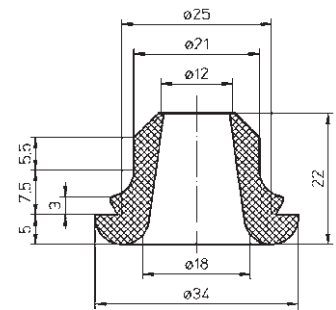
type	article number		housing Ø (mm)	wire Ø (mm)	delivered with ties type	
DV 7 / 12	0252 0520 010	10	19	7 - 12	145/34 SL-C	
DV 12 / 18	0252 0530 010	10	25	12 - 18	185/46 SL-C	
DV 18 / 25	0252 0540 010	5	32	18 - 25	185/46 SL-C	
DV 25 / 32	0252 0550 010	5	38	25 - 32	185/46 SL-C	



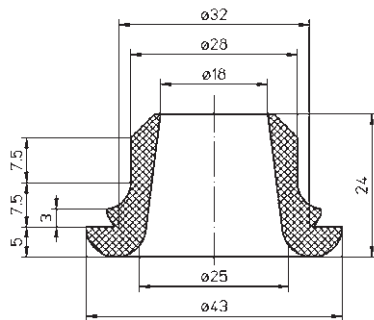
DV 4/9
 0252 0511 010
 0252 0510 010



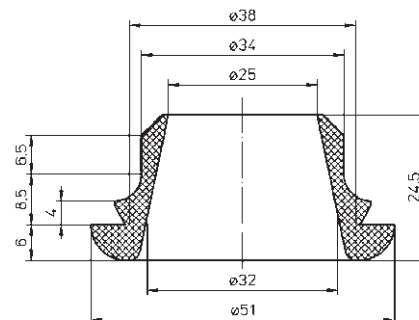
DV 7/12
 0252 0521 010
 0252 0520 010



DV 12/18
 0252 0531 010
 0252 0530 010



DV 18/25
 0252 0541 010
 0252 0540 010



DV 25/32
 0252 0551 010
 0252 0550 010

HELAVIA® grommets DX,
in polychloroprene rubber, black
(for technical properties see page D100)



HELAVIA®
-30 to +90°C



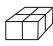
Sealing grommets DX according IP66/IP67: dust proof, protection against temporary flooding, as well as when submersed under water.

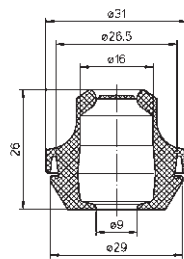
The grommets DX are applied for cable diameters 10 - 20 mm and with a metal thickness of 1 - 4 mm. Owing to the closed cover, it is possible to use it as a temporary seal for a later wiring. In order to introduce the cable, the cover can be perforated for example with the help of a screwdriver.



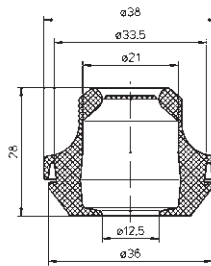
The hole diameters correspond to the metric gland.

Application: for all exits of panels, enclosures and housings of all types, etc.

type	article number		hole Ø (mm)	wires Ø (mm)	metal thickness mm
DX 10 - 15	0252 0603 010	100	25,5	10 - 15	1 - 4
DX 14 - 20	0252 0604 010	50	32,5	14 - 20	1 - 4



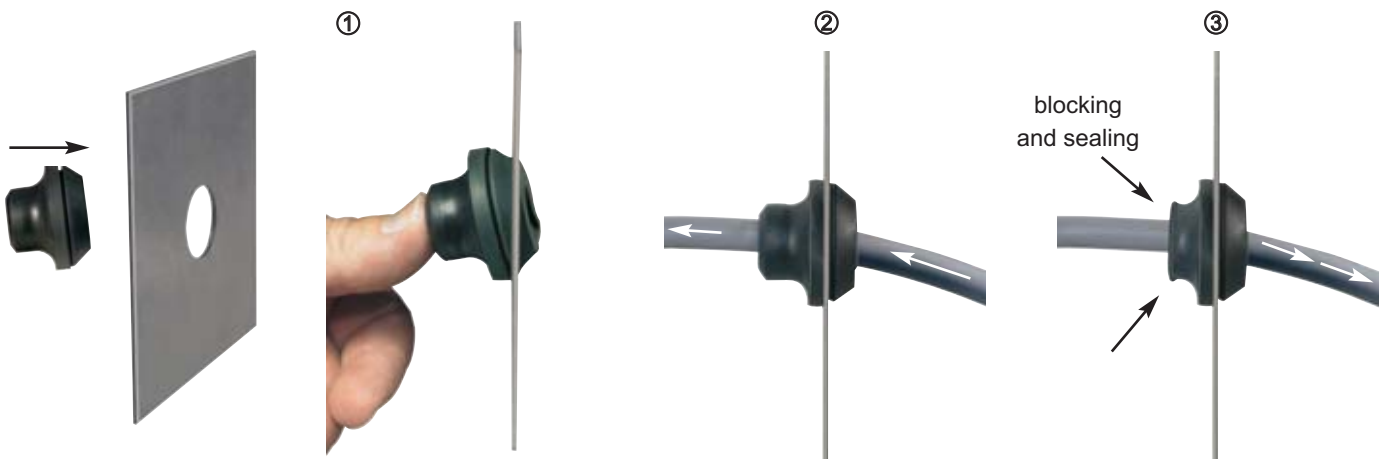
DX 10-15
 0252 0603 010



DX 14-20
 0252 0604 010

- Assembly instruction :
1. Push the grommet in the hole
 2. Introduce the cable from the outside to the inside.
 3. Pull the cable towards outside for blocking and sealing.

Push - introduce - pull. It is so easy.

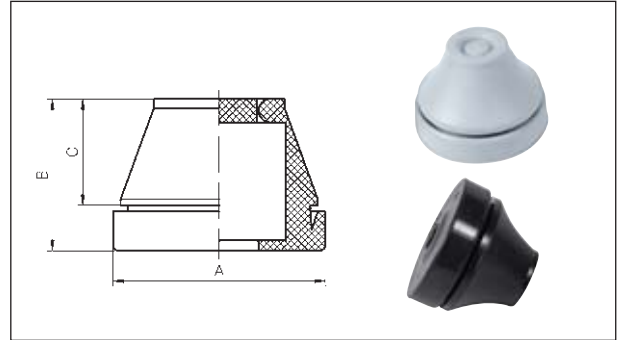




DX-M / DX-PG

Material: EPDM
Colour: black
 grey (RAL 7035)
Temperature of use: -40 to +110°C
Specification: IP 67 according to EN 60 529

Applications: Grommets, sealing for all exits of panels, enclosures and housings of all types, etc...



• Metric grommets

type	article number		pcs	Ø cable mm	Ø hole mm	metal thickness mm	A mm	B mm	C mm
	black 010	grey 025							
DX-M12	0252 0610 010	0252 0610 025	50	4 - 7	12,5	0,5 - 2	20,0	12,8	5,6
DX-M16	0252 0611 010	0252 0611 025	50	5 - 9	16,5	1 - 4	21,0	17,7	11,0
DX-M20	0252 0612 010	0252 0612 025	50	8 - 12	20,5	1 - 4	25,5	20,0	13,4
DX-M25	0252 0613 010	0252 0613 025	50	11 - 16	25,5	1 - 4	30,5	21,3	15,3
DX-M32	0252 0614 010	0252 0614 025	25	15 - 20	32,5	1 - 4	38,5	24,6	18,6
DX-M40	0252 0615 010	0252 0615 025	25	19 - 28	40,5	1 - 4	48,5	29,5	21,7
DX-M50	0252 0616 010	0252 0616 025	10	27 - 35	50,5	1 - 4	60,5	34,8	25,0

• PG grommets

type	article number		pcs	Ø cable mm	Ø hole mm	metal thickness mm	A mm	B mm	C mm
	black 010	grey 025							
DX-PG7	0252 0620 010	0252 0620 025	50	3 - 5	13,0	0,5 - 2	20,0	12,6	5,4
DX-PG9	0252 0621 010	0252 0621 025	50	5 - 7	16,0	1 - 4	21,0	17,8	10,3
DX-PG11	0252 0622 010	0252 0622 025	50	7 - 10	19,0	1 - 4	24,0	19,8	12,7
DX-PG16	0252 0623 010	0252 0623 025	50	10 - 14	23,0	1 - 4	28,0	21,6	14,7
DX-PG21	0252 0624 010	0252 0624 025	25	14 - 20	29,0	1 - 4	35,0	24,6	17,6
DX-PG29	0252 0625 010	0252 0625 025	25	20 - 26	38,0	1 - 4	46,0	28,5	20,0
DX-PG36	0252 0626 010	0252 0626 025	10	26 - 35	48,0	1 - 4	58,0	34,9	23,9