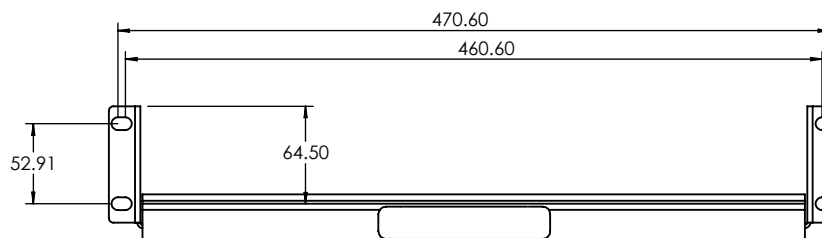
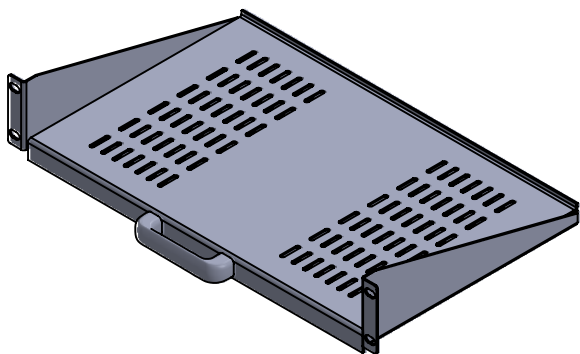


ISO VIEW
1:7



		UNLESS OTHERWISE SPECIFIED: DIMENSIONS ARE IN MILLIMETERS		DO NOT SCALE DRAWING	REVISION: ○
		GENERAL TOLERANCES +/- 0.2		TITLE: DIMENSION DRAWING FOR 2U CANTILEVER TELESCOPIC TRAY	
JAMES CARTER RD, MILDENHALL, SUFFOLK. IP28 7DE TEL: 01638 716101 FAX: 01638 716554 EMAIL: Sales@CamdenBoss.com WEB: www.CamdenBoss.com		FINISH: POWDER COATED RAL: 7035		DWG NO. CAXCTT280	
DRAWN	IAN PAGANO	SIGNED	I.P.	DATE	07/07/14
CHKD	-	-	-	-	-
MATERIAL: 1.5 mm MILD STEEL		PROJECTION:		SCALE: 1:5	SHEET 1 OF 1