


**Aurora Bearing Company**

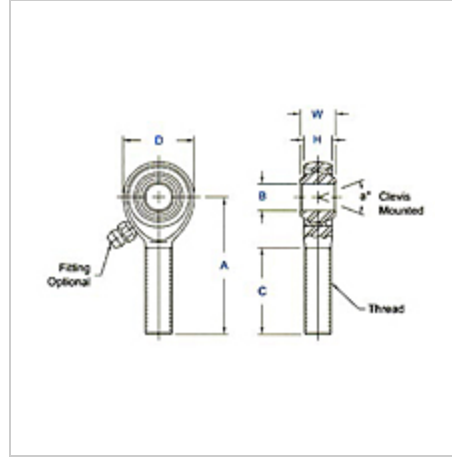
901 Aucutt Rd.

Montgomery, IL 60538

**Phone:** 630.859.2030 • **Fax:** 630.859.0971

**Email:** [customersupport@aurorabearing.com](mailto:customersupport@aurorabearing.com) • **Website:** [www.aurorabearing.com](http://www.aurorabearing.com)
**Item # AM-10, AM & AB Series Male Rod Ends, High Strength Alloy - Precision (PTFE Liners Available)**

- Body - Alloy Steel, heat treated, protective coated for corrosion resistance.
- Ball - Alloy steel, heat treated, hard chrome plated.
- Race - Alloy steel, heat treated, protective coated for corrosion resistance (Low carbon steel with PTFE liners).
- Units in this series will be magnafluxed on special request only. Specify by adding suffix "M". Ex.: AM-8M.
- Units are supplied without grease fittings. When a grease fitting is required, specify by adding suffix "Z" or "F". Ex.: AM-6Z = Zerk Type


[+ more](#)
[Specifications](#) | [AM & AB Note](#)

## Specifications

<b>Thread Type</b>	Right Hand
<b>Thread Configuration</b>	Male
<b>B - Ball Bore</b>	.6250 in
<b>W - Ball Width</b>	.750 in
<b>H - Head Width</b>	.562 in
<b>A - Base to Center</b>	2.625 in
<b>D - Head Diameter</b>	1.500 in
<b>Ball Diameter</b>	1.125 in
<b>C - Thread Length</b>	1.625 in
<b>Thread Size</b>	5/8-18
<b>Thread Class</b>	UNF-3A

<b>a - Misalignment Angle Clevis Mounted</b>	16 °
<b>Ultimate Radial Static Load Capacity</b>	17,955 lbs
<b>Approximate Brg. Weight</b>	0.38 lb
<b>Options</b>	Stud
<b>Type of Lubrication</b>	None

## AM &amp; AB Note

**AM & AB Note**

For dimensional tolerances of listed features, see the PDF version of the catalog under the "View Product Catalogs" tab from the home page.