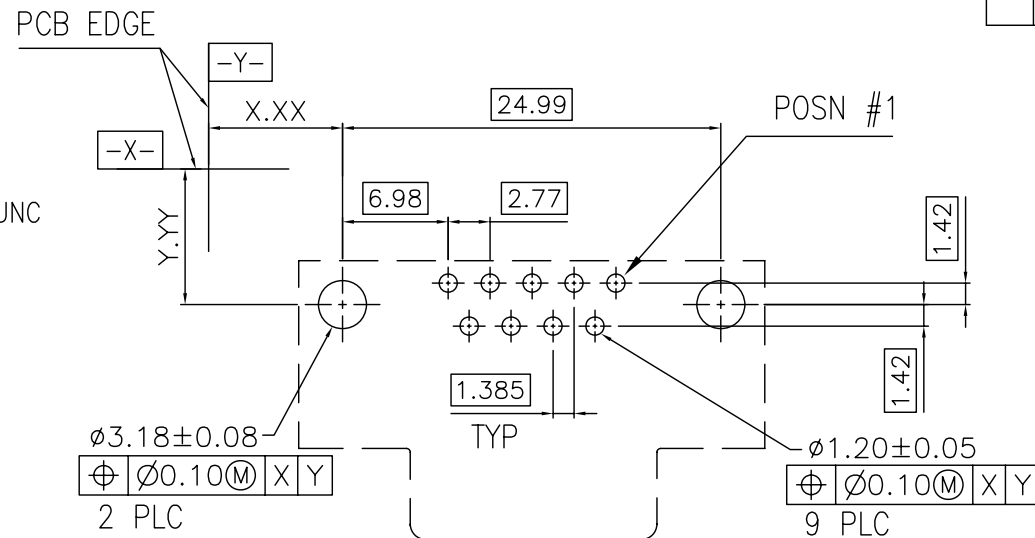
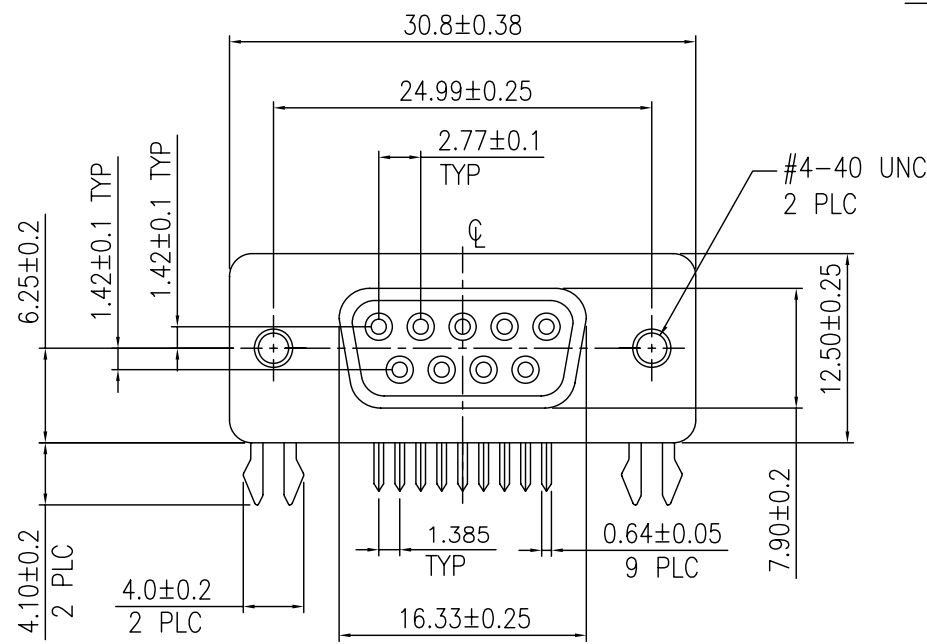
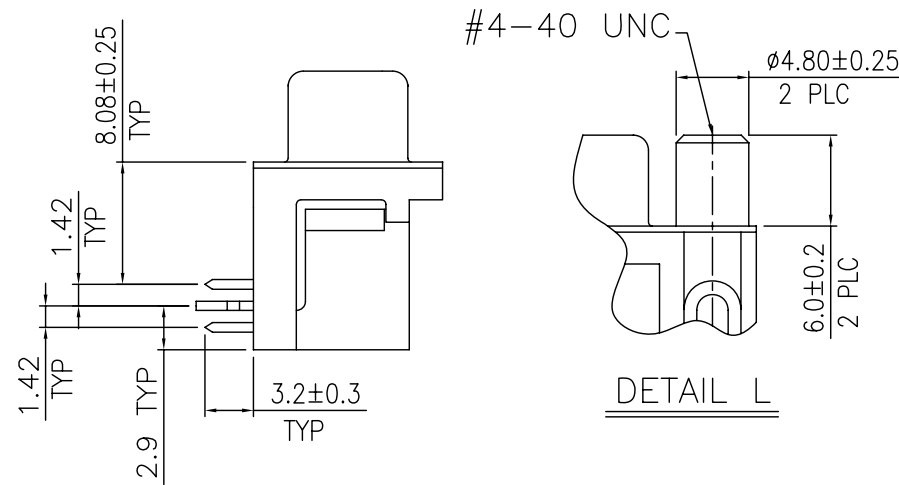
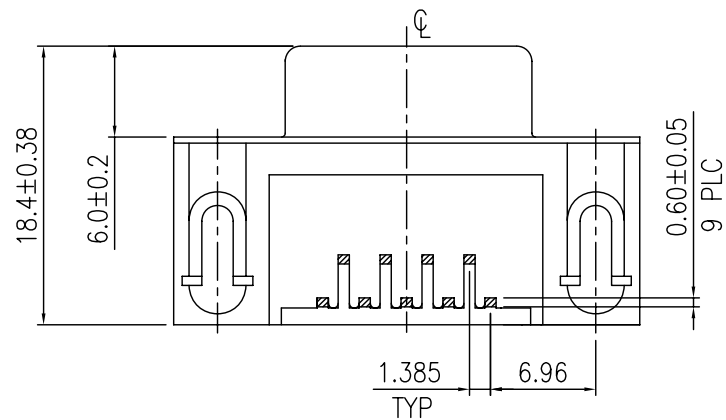


LOC	DIST	REVISIONS					
DW		P	LTR	DESCRIPTION	DATE	DWN	APVD
		B		REVISED (ECR-08-024310)	04NOV08	B.W	S.C

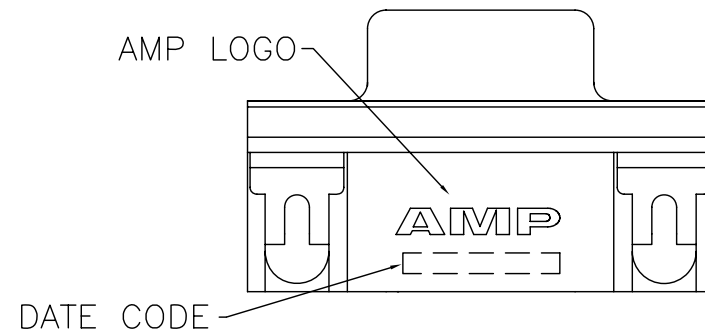
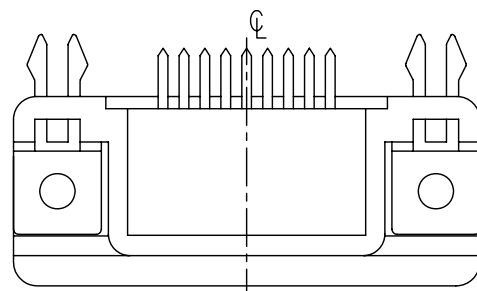


RECOMMENDED PCB LAYOUT
 PCB TOLERANCE ±0.05

- NOTES:
- MATERIAL:
 - HOUSING: THERMOPLASTIC, UL 94V-0 RATED, BLACK
 - CONTACTS: PHOSPHOR BRONZE
 - SHELL: SPCC
 - BOARDLOCKS: BRASS
 - RIVET: COPPER ALLOY
 - FINISH:
 - CONTACT:
 - GOLD PLATING ON CONTACT AREA
 - 2.54um[100u"] MIN. MATTE TIN PLATING ON SOLDER TAIL AREA
 - 1.27um[50u"] MIN. NICKEL UNDERPLATING OVERALL
 - BOARDLOCK:
 - 2.54um[100u"] MIN. MATTE TIN PLATING
 - 1.27um[50u"] MIN. NICKEL UNDERPLATING OVERALL
 - SHELL: NICKEL PLATED
 - RIVET: NICKEL PLATING OVERALL
 - RECOMMENDED PCB THICKNESS: 1.6 mm
 - WAVE SOLDER CAPABLE TO 265°C PER TE SPEC. 109-202, CONDITION B.
 - THE SCREW TORQUE FORCE APPLIED: 7.0 Kgf-cm MAX.
 - NET WEIGHT: 7.03 gram/pc OR 11.0 gram/pc(WITH SCREW)



DETAIL L



(SEE DETAIL L)	OBSOLETE	W/	15u"	1-1734348-2
		W/O	15u"	1734348-2
			G/F	1734348-1
	SCREW		GOLD PLATING	AMP PART NO.

THIS DRAWING IS A CONTROLLED DOCUMENT.		DWN	J. LEE	11JUL2007	Tyco Electronics Corporation Tyco Electronics Taipei, Taiwan		
DIMENSIONS: MM		CHK	S. HOU	11JUL2007	NAME		
TOLERANCES UNLESS OTHERWISE SPECIFIED:		APVD	W.J. KE	11JUL2007	RECEPTACLE ASSEMBLY, 9 POSN, RIGHT ANGLE, 8.08mm[0.318in] SERIES, AMPLIMITE		
0 PLC ± -		PRODUCT SPEC		SIZE			
1 PLC ± 0.38		108-57541		CAGE CODE		DRAWING NO	
2 PLC ± 0.25		QUALIFICATION TEST REPORT		A3		00779	
3 PLC ± 0.15		501-57613		C=		1734348	
4 PLC ± -		WEIGHT		RESTRICTED TO			
ANGLES ± -		SEE NOTES		SCALE		SHEET	
MATERIAL		CUSTOMER DRAWING		1 of 2		REV B	
SEE NOTE		SEE NOTE					

4

3

2

1

THIS DRAWING IS UNPUBLISHED.

RELEASED FOR PUBLICATION

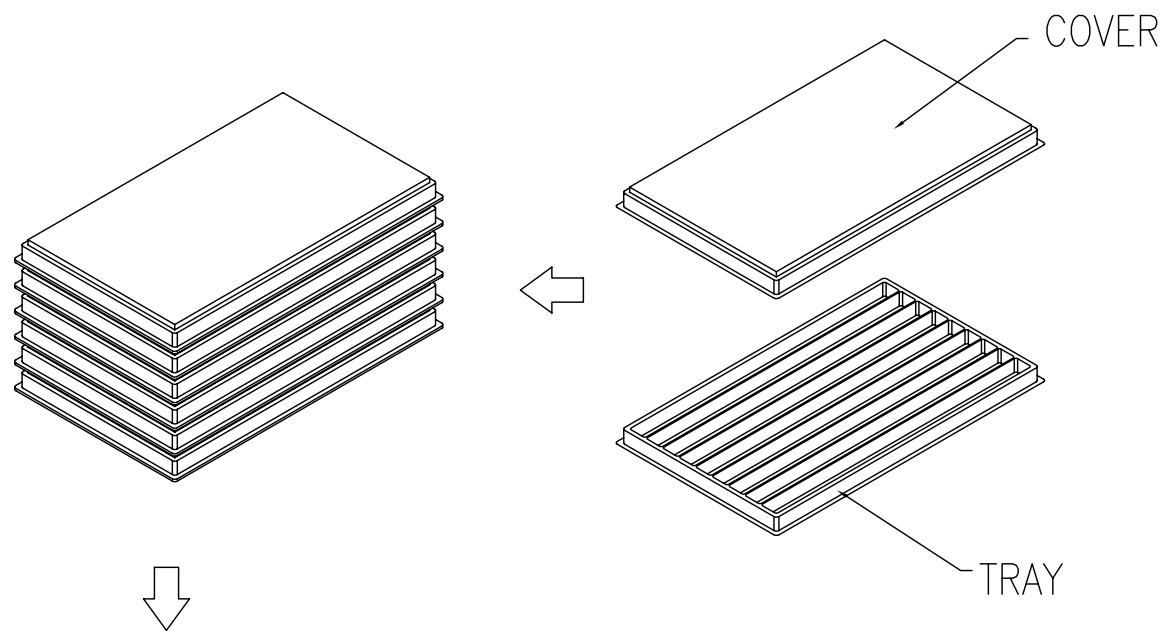
- , - .

©

COPYRIGHT BY TYCO ELECTRONICS CORPORATION.

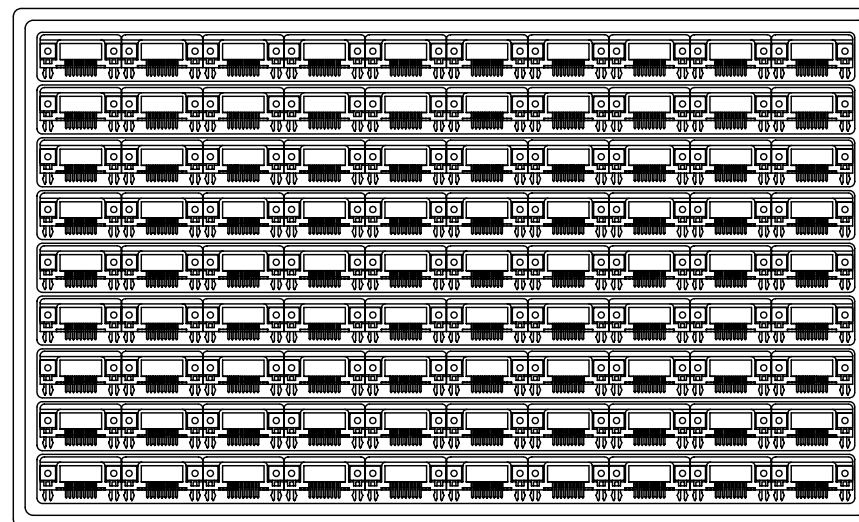
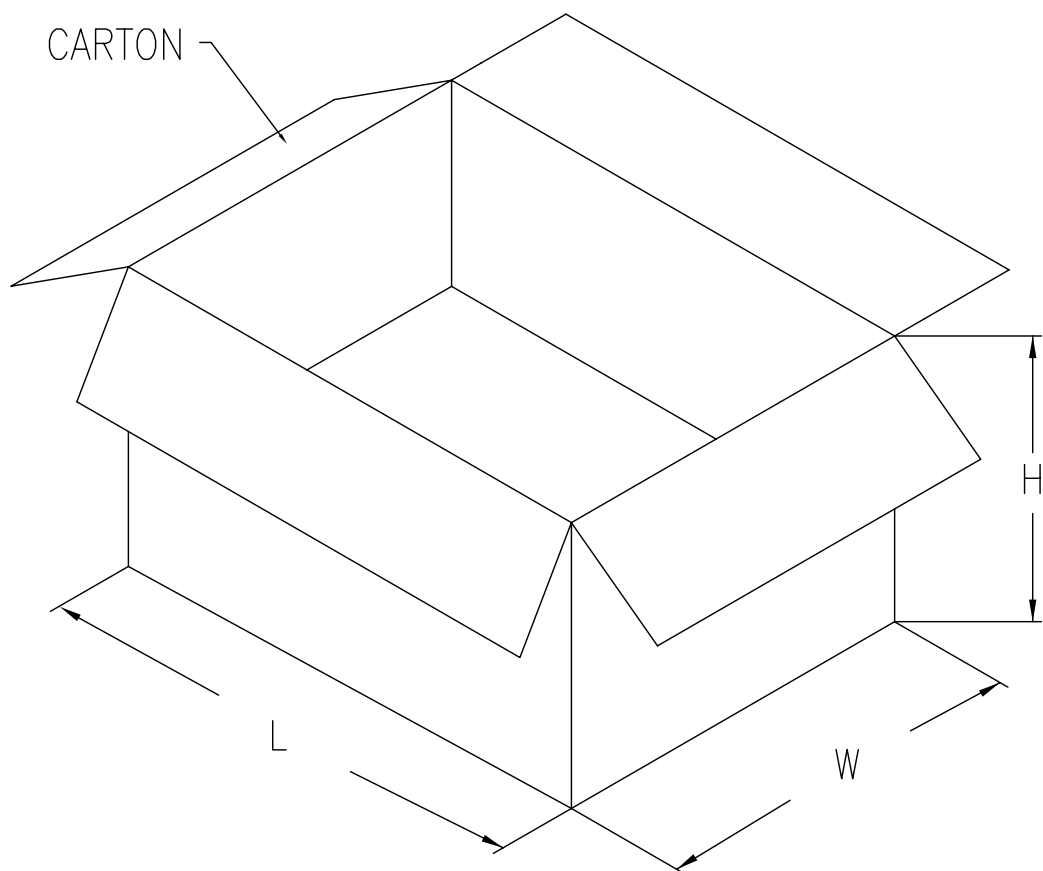
ALL RIGHTS RESERVED.

LOC	DIST	REVISIONS					
DW	/	P	LTR	DESCRIPTION	DATE	DWN	APVD
				SEE SHEET 1.			



NOTES:

1. MATERIAL:
 - 1.1 TRAY: PVC
 - 1.2 SHIPPING CARTON: CORRUGATED FIBERBOARD
2. DIMENSION:
 - 2.1 TRAY: L=340, W=228, H=15
 - 2.2 SHIPPING CARTON: L=440, W=321, H=153
3. QUANTITY:
 - 3.1 PRIMARY PACKING: 90 PCS/TRAY
 - 3.2 SECONDARY PACKING: 11 TRAY/CARTON (990PCS)
4. SHIPPING CARTON WEIGHT:
 - 4.1 NET WEIGHT: 6.962 Kg OR 10.8 Kg(WITH SCREWS)
 - 4.2 GROSS WEIGHT: 7.962 Kg OR 11.8 Kg(WITH SCREWS)



THIS DRAWING IS A CONTROLLED DOCUMENT.		DWN	Tyco Electronics Corporation		
		CHK	Taipei, Taiwan		
		APVD	NAME		
DIMENSIONS: MM		PRODUCT SPEC		RECEPTACLE ASSEMBLY, 9 POSN, RIGHT ANGLE, 8.08mm[0.318in] SERIES, AMPLIMITE	
TOLERANCES UNLESS OTHERWISE SPECIFIED:		APPLICATION SPEC		RESTRICTED TO	
0 PLC ± -		WEIGHT		SIZE	
1 PLC ± -		CUSTOMER DRAWING		CAGE CODE	
2 PLC ± -		SCALE		DRAWING NO	
3 PLC ± -		SHEET		A3 00779 C=1734348	
4 PLC ± -		2 OF 2		REV B	
ANGLES ± -					
FINISH					