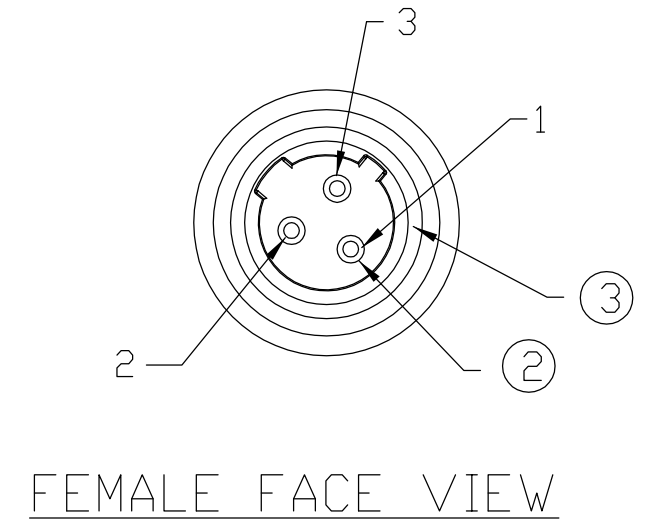
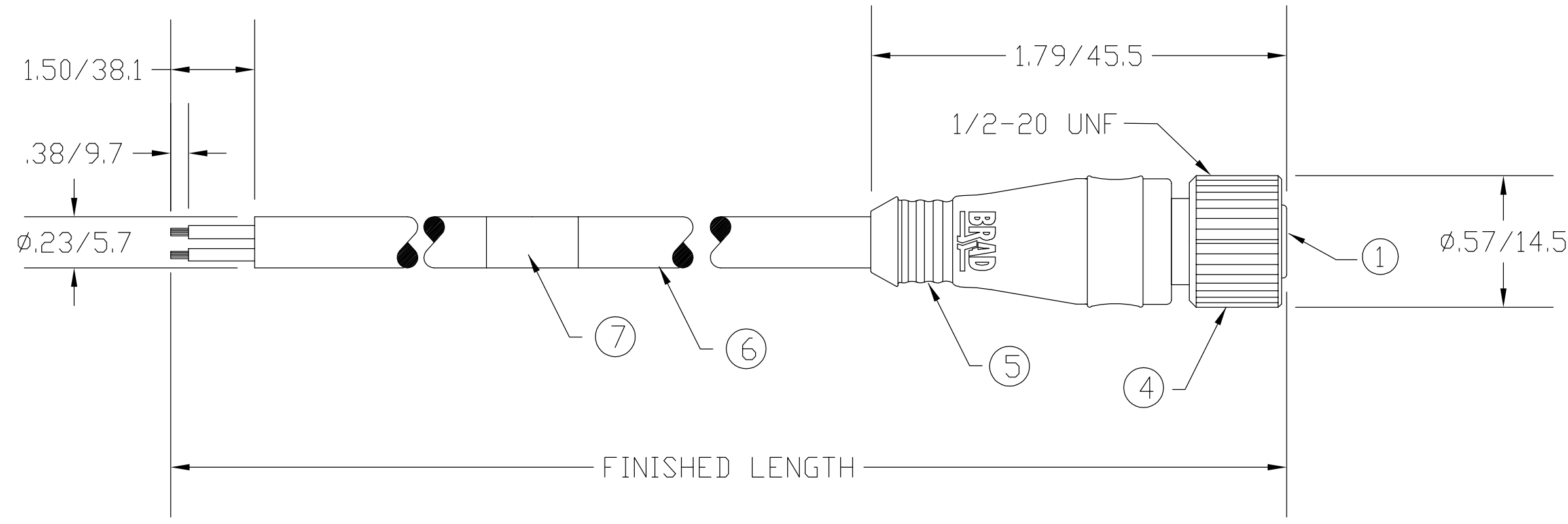
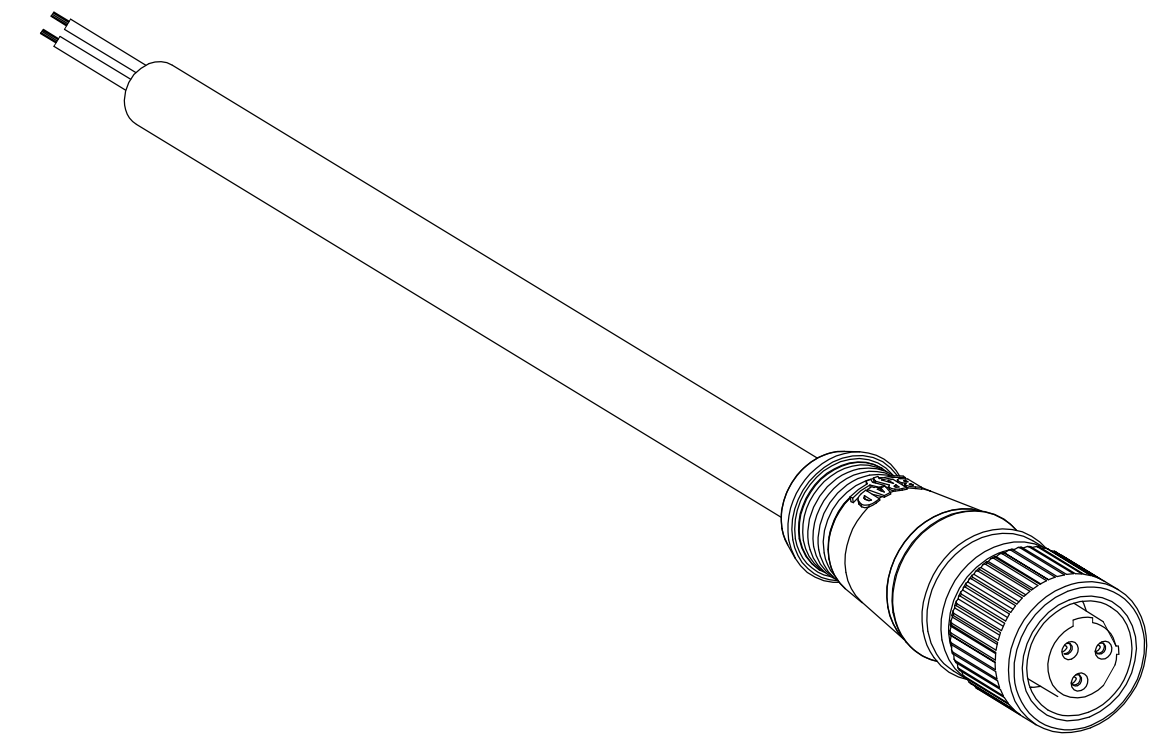


MATERIAL NUMBER	OLD PART NUMBER	FINISHED LENGTH
120072-0169	703000D02F030	3.00' +2.19" -0 [1.9M +55.6 -0]
120072-0171	703000D02F060	6.00' +3.50" -0 [1.8M +88.9 -0]
120072-0176	703000D02F090	9.00' +3.50" -0 [2.7M +88.9 -0]
120072-0178	703000D02F120	12.00' +6.50" -0 [3.7M +165.1 -0]
120072-0181	703000D02F150	15.00' +6.50" -0 [4.6M +165.1 -0]
120072-0185	703000D02F200	20.00' +6.50" -0 [6.1M +165.1 -0]
120072-0188	703000D02F250	25.00' +12.50" -0 [7.6M +317.5 -0]
120072-0189	703000D02F300	30.00' +12.50" -0 [9.1M +317.5 -0]



1	GREEN
2	RED-BLACK
3	RED-WHITE

WIRING DIAGRAM

ITEM	COMPONENT	MATERIAL	FINISH
1	INSERT	NYLON	BLACK
2	CONTACT SOCKET	COPPER ALLOY	GOLD OVER NICKEL
3	O-RING	NITRILE	RED
4	COUPLING NUT	ZINC DIE CAST	BLACK E-COATED
5	OVERMOLD	PVC	YELLOW
6	CABLE- 22 AWG, (26 X #36 COPPER STRANDING) 3 CONDUCTOR, BRAID SHIELD 300V	PVC	YELLOW
7	LABEL	MYLAR	BLACK/YELLOW

VOLTAGE RATING	250 VAC/VDC
AMPERAGE RATING	4 AMPS
PROTECTION	IP67
OPERATING TEMPERATURE	-20°C TO 105°C
UL CERTIFICATIONS	UL LISTED, FILE NO. E152210
CSA CERTIFICATIONS	CSA CERTIFIED, FILE NO. LR6837

RLSO DRAWING EC NO: WNA2009-0631 DRWN: BWOODMAN 3/27/09 CH'KD: JM APPR: JFMURPHY 2009/04/01	QUALITY SYMBOL	GENERAL TOLERANCES (UNLESS SPECIFIED)	DIMENSION STYLE	SCALE	DESIGN UNITS	THIRD ANGLE PROJECTION
	▼=0 ∇=0	mm INCH 4 PLACES ±--- ±--- 3 PLACES ±--- ±--- 2 PLACES ±--- ±.01 1 PLACE ±0.3 ±--- ANGULAR ±---°	IN/MM DRAWN BY DATE <b>BW</b> 2009/03/27 CHECKED BY DATE <b>TW</b> 2009/03/27 APPROVED BY DATE	---	---	
		DRAFT WHERE APPLICABLE MUST REMAIN WITHIN DIMENSIONS	SEE CHART	TITLE <b>MICRO-CHANGE CORDSET 3P DUAL KEYWAY FEMALE BRAID SHIELD PVC CABLE</b> MOLEX INCORPORATED		SHEET NO. <b>1 OF 1</b>
	A			MATERIAL NO. DOCUMENT NO. <b>SEE CHART SD-120072-002</b>		THIS DRAWING CONTAINS INFORMATION THAT IS PROPRIETARY TO MOLEX INCORPORATED AND SHOULD NOT BE USED WITHOUT WRITTEN PERMISSION