



NTN BEARING CORPORATION OF AMERICA

Head Office

1600 E. Bishop Court, P.O. Box 7604

Mount Prospect, IL 60056-7604, U.S.A.

Phone: 847-298-7500

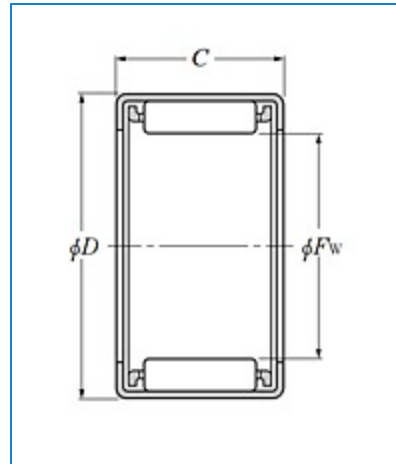
Fax: 847-699-9744

Toll Free: 800-323-2358

Email: mkt@ntnamerica.com

Website: www.ntnamericas.com

Item # HK1812, Drawn Cup Needle Roller Bearing - HK, HMK Type



[Order Now](#) | [Technical Specifications](#) | [Dimensional Specifications](#)

Order Now

Ordering Options

[FIND A DISTRIBUTOR](#)

[CONTACT NTN CUSTOMER SUPPORT SPECIALIST](#)

[ORDER THROUGH NTN DOL \(AUTHORIZED DISTRIBUTORS ONLY\)](#)

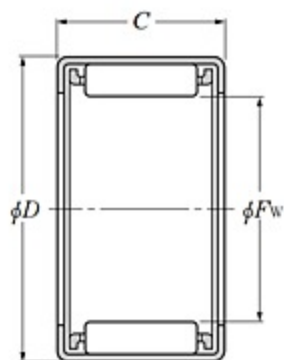
Technical Specifications

Type

Drawn Cup Needle Roller Bearing

Bore Type	Round
Material	Steel
Cage Material	Steel
Limiting Speed - Oil	13000 RPM
Limiting Speed - Grease	8500 RPM
Bearing Type	Needle Roller Bearing
Configuration	One
Enclosure	Open
Radial Internal Clearance	CN
Precision	ISO Class 0
Oil Hole	w/o Oil Hole
Static Load Rating	2450 lbf 10900 N 10.90 kN
Dynamic Load Rating	1866 lbf 8300 N 8.30 kN
Weight	0.029 lb 0.010 kg
Operating Temperature Range	-40 to 250 °F -40 to 120 °C

Dimensional Specifications



Drawn Cup Needle Roller Bearing - HK, HMK Type - Dimensions

Fw	0.7090 in 18.000 mm
D	0.9449 in 24.000 mm
C	0.4724 in 12.000 mm