



ComEx control stations



Features

- 3 standard enclosures
- Easy to install
- Extremely flexible
- Customer-tailored solutions

Description

The ComEx program

ComEx is a flexible system offering standard as well as customer-specific local control and indicating units.

You have the choice between three standard enclosures which can accommodate up to three different control and indicating units. Combinations of up to three ComEx enclosures are possible.

Either stuffing glands sizes M 20 x 1.5 and M 25 x 1.5 of plastic or cable glands of metal are available. The plastic glands require no lock nuts. Metal glands are screwed into a metal earth plate sheet inside of the enclosure. Maximum amount of cable glands: two off.

To ensure easier operation on site, each enclosure can be equipped with an individual info-label.

Fully preassembled ComEx units

On the following pages you will find our complete range of fully preassembled ComEx units, available immediately. The units are equipped with 1 to 3 elements. Standard cable entries are plastic glands type M 20 x 1.5 for a 6 to 12 mm diameter cable.

For offshore applications special oil-resistant attachments are available.

Explosion protection

Ex protection type

Ex II 2 G EEx edm IIC T6

Certification

PTB 00 ATEX 1068
UL E184198

Permissible ambient temperature

-55 °C to +60 °C

Technical data

Connection

Terminals 2.5 mm²

PE conductor terminals

4 x 2.5 mm²

Rated insulation voltage

max. AC 690 V

Nominal current

max. 16 A

Cable entry

standard version:

M 20 x 1.5 for cable Ø 6 to 12 mm

special versions:

M 20 x 1.5 for cable with Ø 5 to 9 mm

M 25 x 1.5 for cable with Ø 13 to 18 mm

M 25 x 1.5 for cable with Ø 9 to 16 mm

Enclosure

thermoplastics

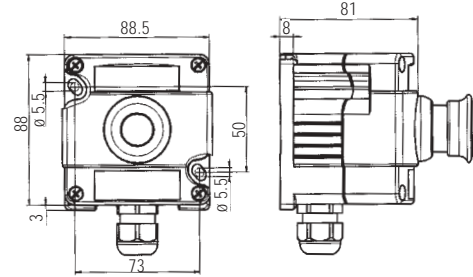
Protection class

IP 66/IP 67

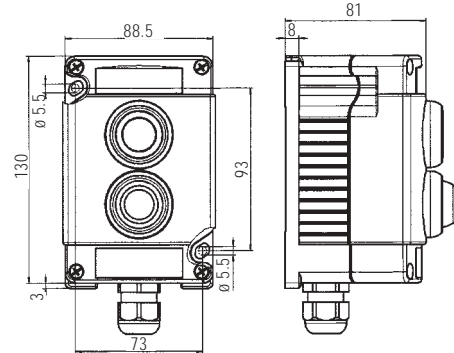


Dimensions fully preassembled units

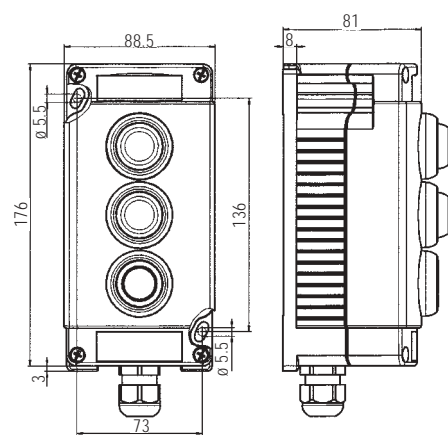
Single unit



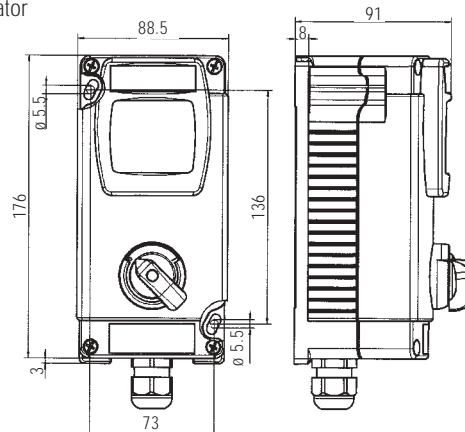
Double unit



Triple unit



Measuring instrument with actuator




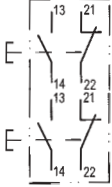

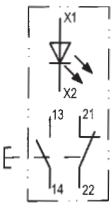

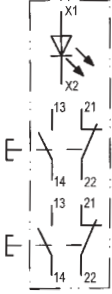

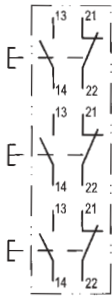

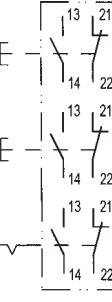


Selection chart

Wiring diagram	Description	Weight	➔ Order no.
	1 pushbutton 1 NO + 1 NC incl. labels red, green, yellow, white	0.33 kg	07-3511-10P74
	1 NOT/AUS Emergency Stop 1 NO + 1 NC marked NOT/AUS and Emergency-Stop	0.36 kg	07-3511-10N84
	1 Mushroom Keyswitch 1 NO + 1 NC with key to reset	0.40 kg	07-3511-10K34
	1 Selector switch 1 NO + 1 NC, 2 position with 2 stops 0 and I, latching	0.35 kg	07-3511-10S94
	1 Selector switch 1 NO + 1 NC, 3 position with 3 stops I - 0 - II, latching	0.35 kg	07-3511-10S04
	1 Selector switch 1 NO + 1 NC, 3 position with 3 stops I - 0 - II, touch	0.35 kg	07-3511-10S14
	1 Lamp lens red green yellow white	0.35 kg	07-3511-10LRR 07-3511-10LGG 07-3511-10LYY 07-3511-10LWW
	1 Mushroom Pushbutton, black 1 NO + 1 NC	0.35 kg	07-3511-10P84
	1 Keyswitch 1 NO + 1 NC lockable in both positions	0.40 kg	07-3511-10K04
	1 Keyswitch 1 NO + 1 NC lockable in the pushed-in-position	0.40 kg	07-3511-10K14
	1 Keyswitch 1 NO + 1 NC lockable in the initial position	0.40 kg	07-3511-10K24





Selection chart			
Wiring diagram	Description	Weight	➔ Order no.
 	<p>2 pushbuttons</p> <p>1 NO + 1 NC each</p> <p>including key labels</p>	0.50 kg	07-3512-10P74P74
 	<p>1 indicator lamp, 1 pushbutton</p> <p>with indicated lamp</p> <p>red green yellow white blue</p> <p>1 NO + 1 NC</p>	0.52 kg	<p>07-3512-10LRRP74</p> <p>07-3512-10LGGP74</p> <p>07-3512-10LYYP74</p> <p>07-3512-10LWWP74</p> <p>07-3512-10LBBP74</p>
 	<p>1 indicator lamp, 2 pushbuttons</p> <p>with indicated lamp</p> <p>red green yellow white</p> <p>1 NO + 1 NC each</p>	0.70 kg	<p>07-3513-10LRRP74P74</p> <p>07-3513-10LGGP74P74</p> <p>07-3513-10LYYP74P74</p> <p>07-3513-10LWWP74P74</p>
 	<p>3 pushbuttons</p> <p>1 NO + 1 NC each</p> <p>including key labels</p>	0.68 kg	07-3513-10P74P74P74
 	<p>2 pushbuttons</p> <p>1 emergency stop button</p> <p>1 NO + 1 NC each</p>	0.70 kg	07-3513-10P74P74N84