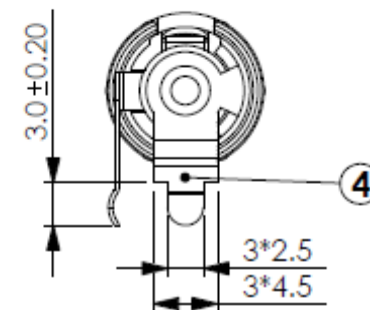
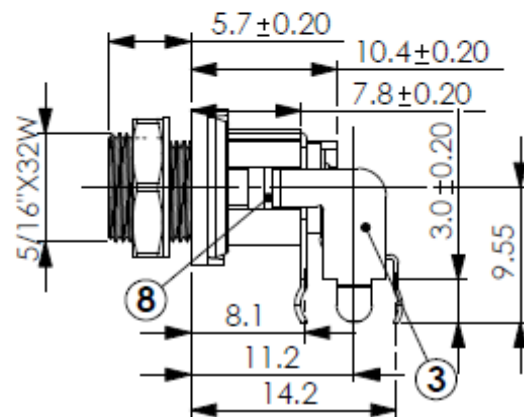
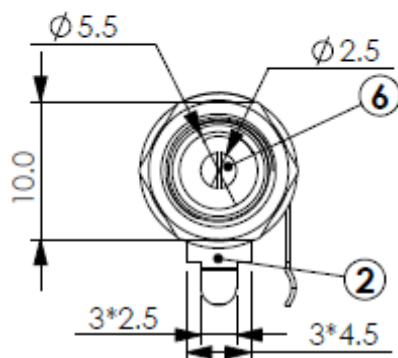
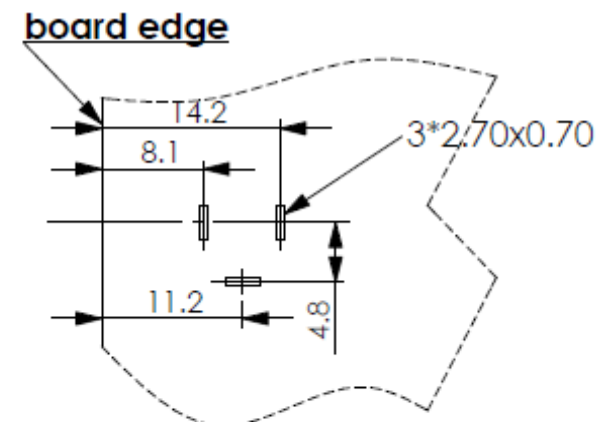
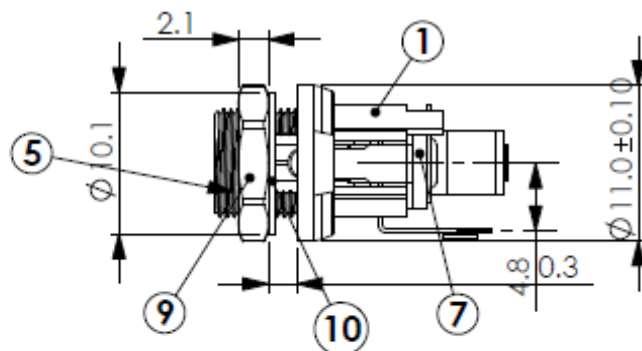
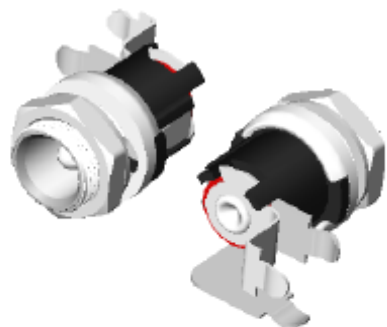


Data sheet

DC Power Socket

RS Stock No. [476-151](#)



No.	Description	Material
1	Housing	PBT
2	Sleeve Spring	Phosphor Bronze
3	Break Terminal	Brass
4	Pin Terminal	Brass
5	Bushing	Brass
6	Pin	Copper
7	Insulator A	Vulcanited Fibre
8	Insulator B	Vulcanited Fibre
9	Screw Nut	Brass
10	Washer	Brass

Specifications:

- Rating: 5A 12V AC max.
- Contact Resistance: 20mΩ max.
- Insulation Resistance: min. 1000mΩ @ 500V AC
- Voltage Withstand: 500V AC R.M.S for 1minute